



# ALL IN ONE

---

## SUPPLIES



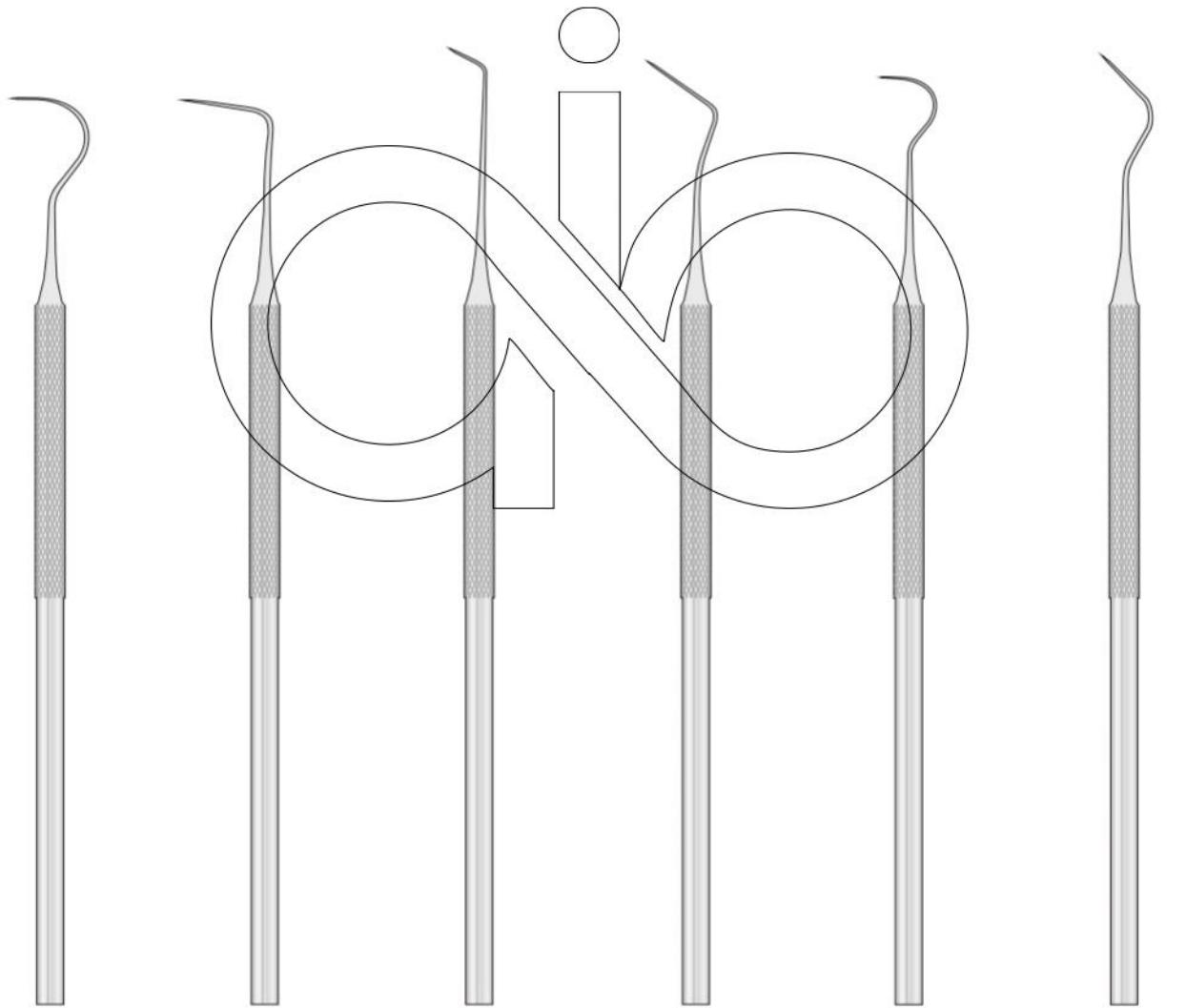
**Cr**  
CHROMIUM



*CATALOGUE*

# Dental Restoration Periodontology

Zahnsonden  
Explorers - Sickle Probes  
Esploratori - Sonde falce  
Sondas exploradoras  
Sondes exploratrices



BI-SO-1  
Fig. 23

BI-SO-2  
Fig. 11

BI-SO-3  
Fig. 6

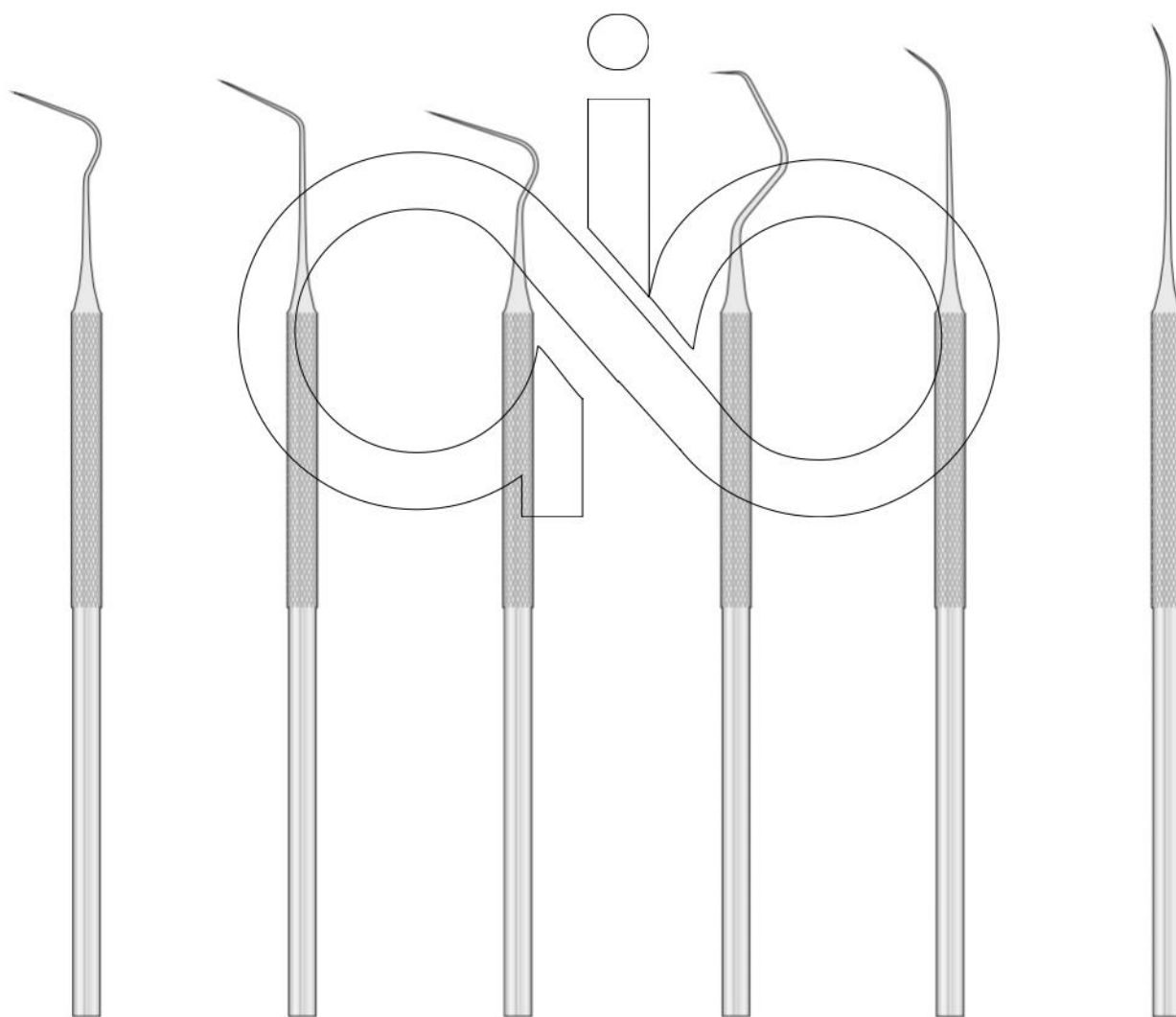
BI-SO-4  
Fig. 9

BI-SO-5  
Fig. 2

BI-SO-6  
Fig. 10



Zahnsonden  
Explorers - Sickle Probes  
Esploratori - Sonde falce  
Sondas exploradoras  
Sondes exploratrices



BI-SO-7  
Fig. 12

BI-SO-8  
Fig. 6A

BI-SO-9  
Fig. 8A

BI-SO-10  
Fig. 17A

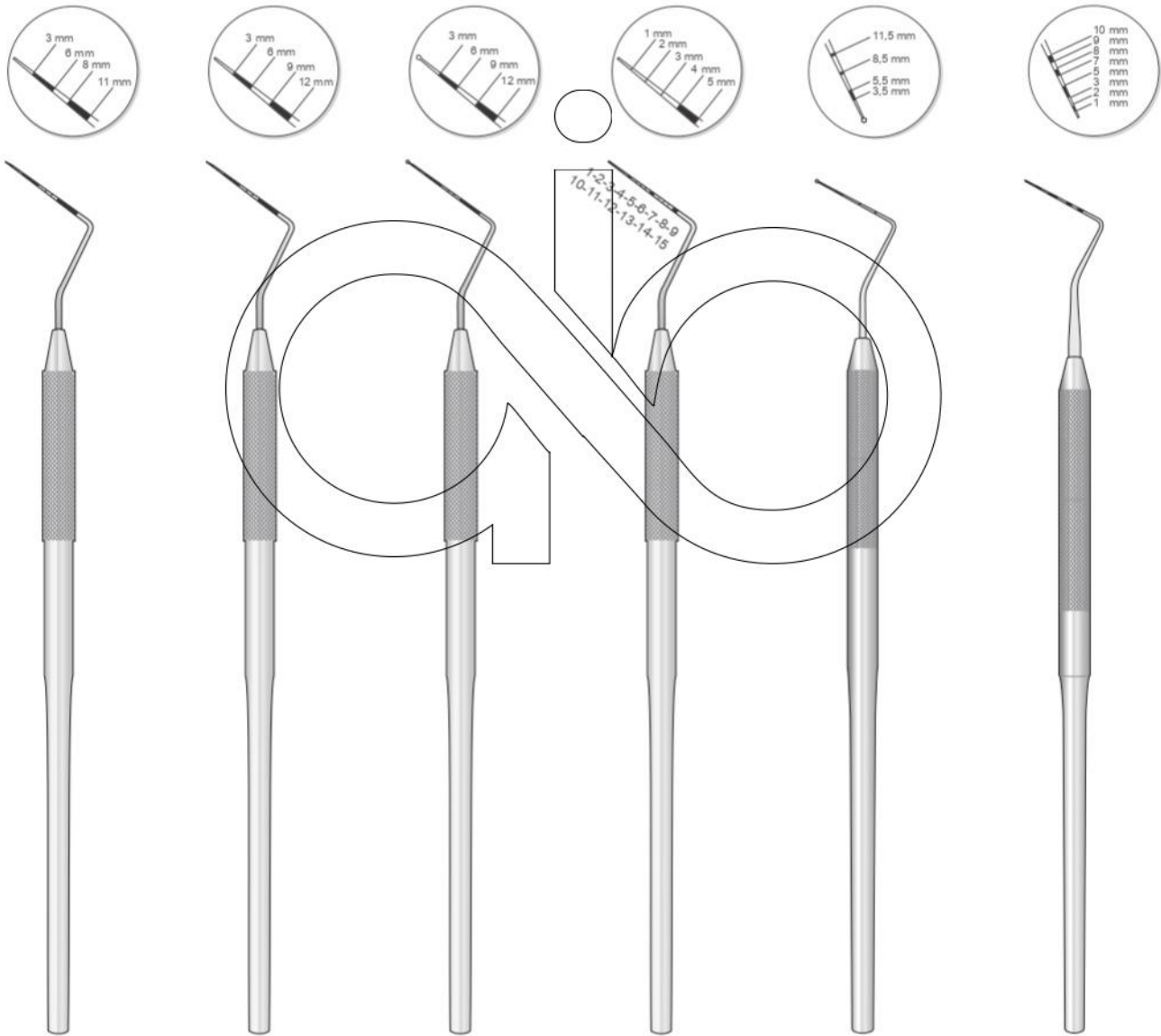
BI-SO-11  
Fig. 3A

BI-SO-12  
Fig. 3



Parodontometer  
Periodontal Probes  
Sonde parodontali  
Sondas parodontales  
Sondes parodontales

Do not sterilizing with ultra sound - Not Metal brushes  
Non sterilizzare in ultrasuoni - No spazzola metallica



CADMP11  
BI-SM-11  
160 mm

CADM-P12  
BI-SM-12  
160 mm

CADM-P12S  
BI-SM-13  
160 mm

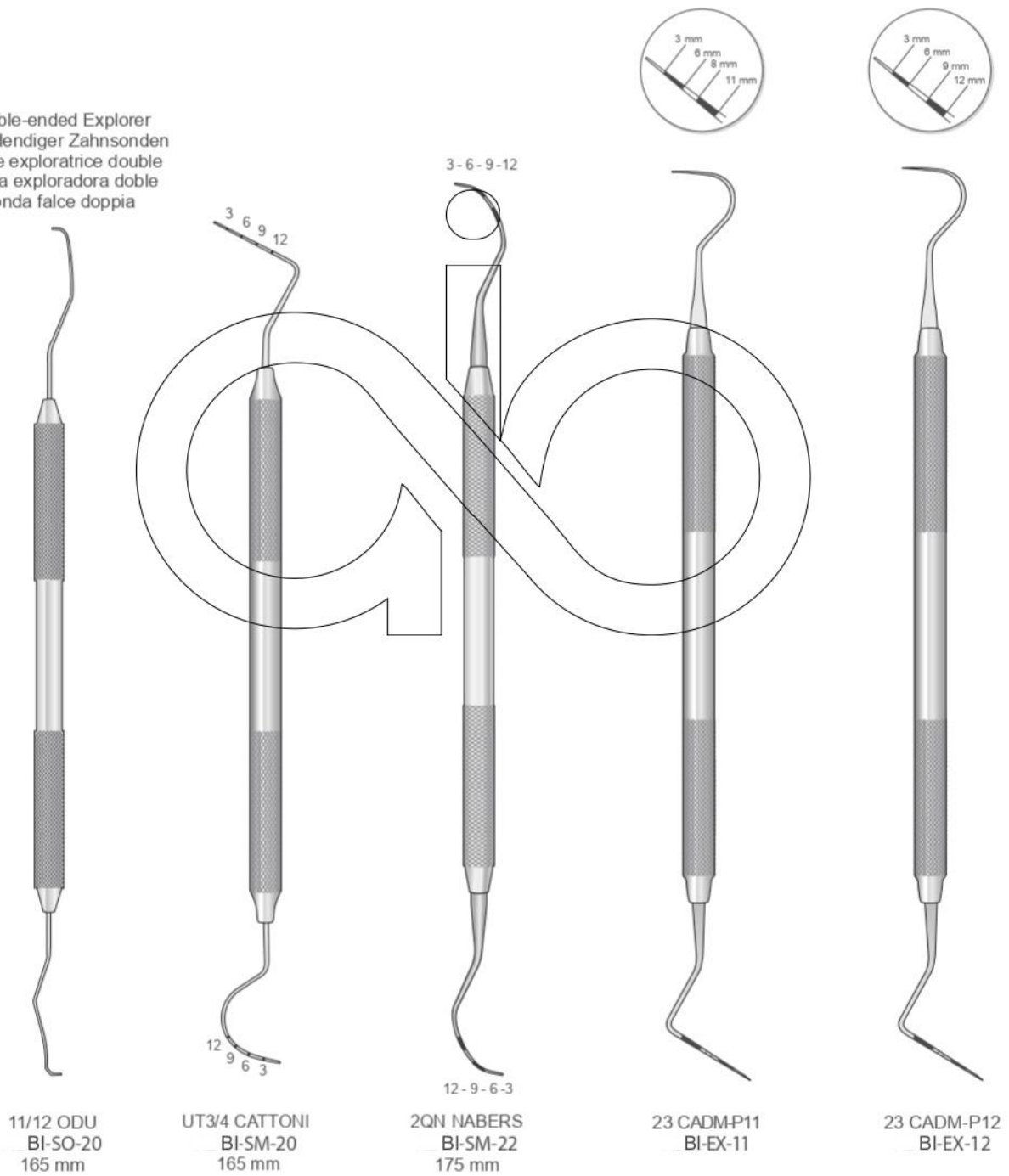
CADM-P15UNC  
BI-SM-15  
160 mm

WHO  
BI-SM-21  
160 mm

CADM-P10  
BI-SM-19  
160 mm

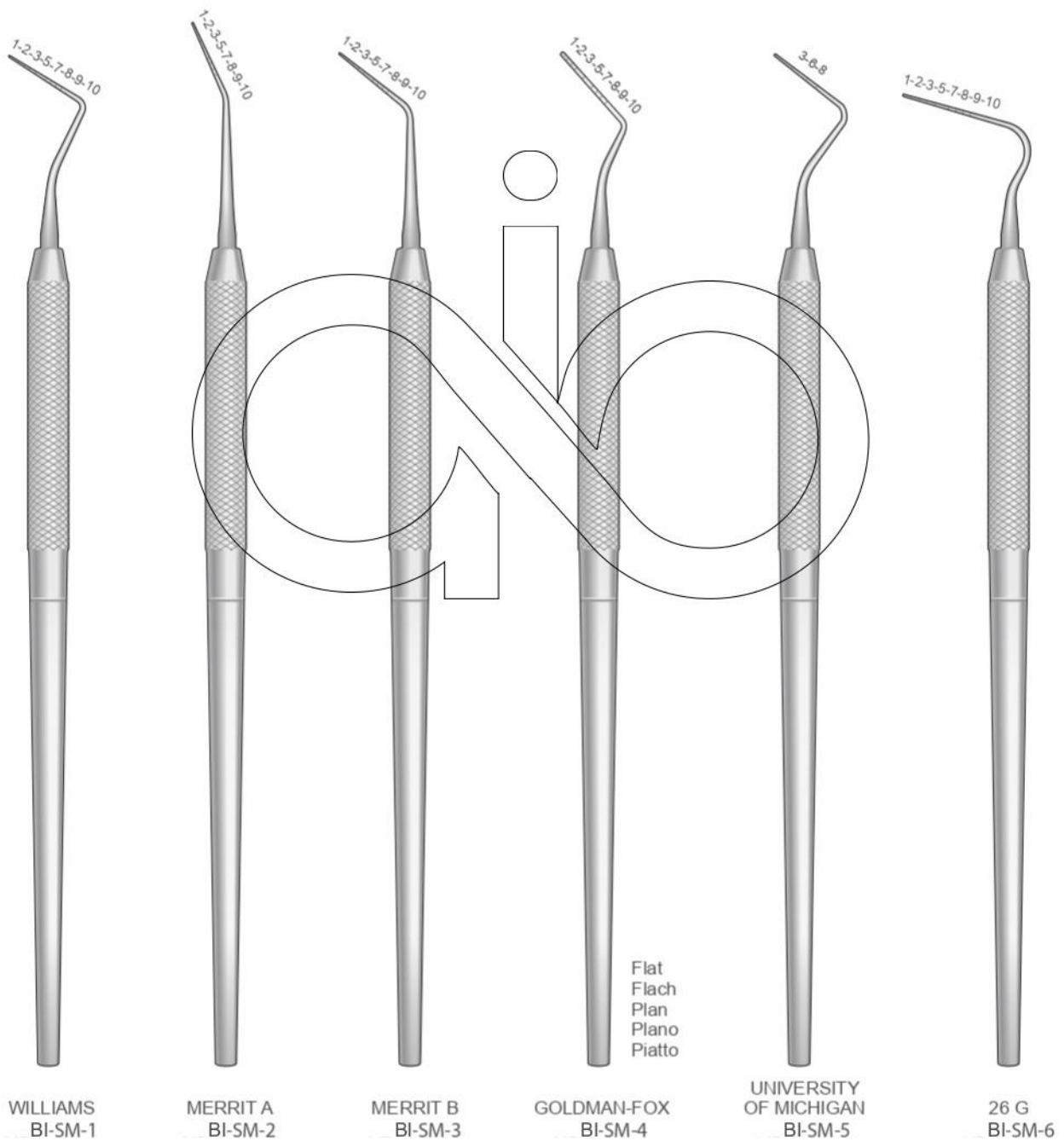
Parodontometer  
 Periodontal Probes  
 Sonde parodontali  
 Sondas parodontales  
 Sondes parodontales

Double-ended Explorer  
 Doppelseitiger Zahnsonden  
 Sonde esploratrice double  
 Sonda exploradora doble  
 Sonda falce doppia

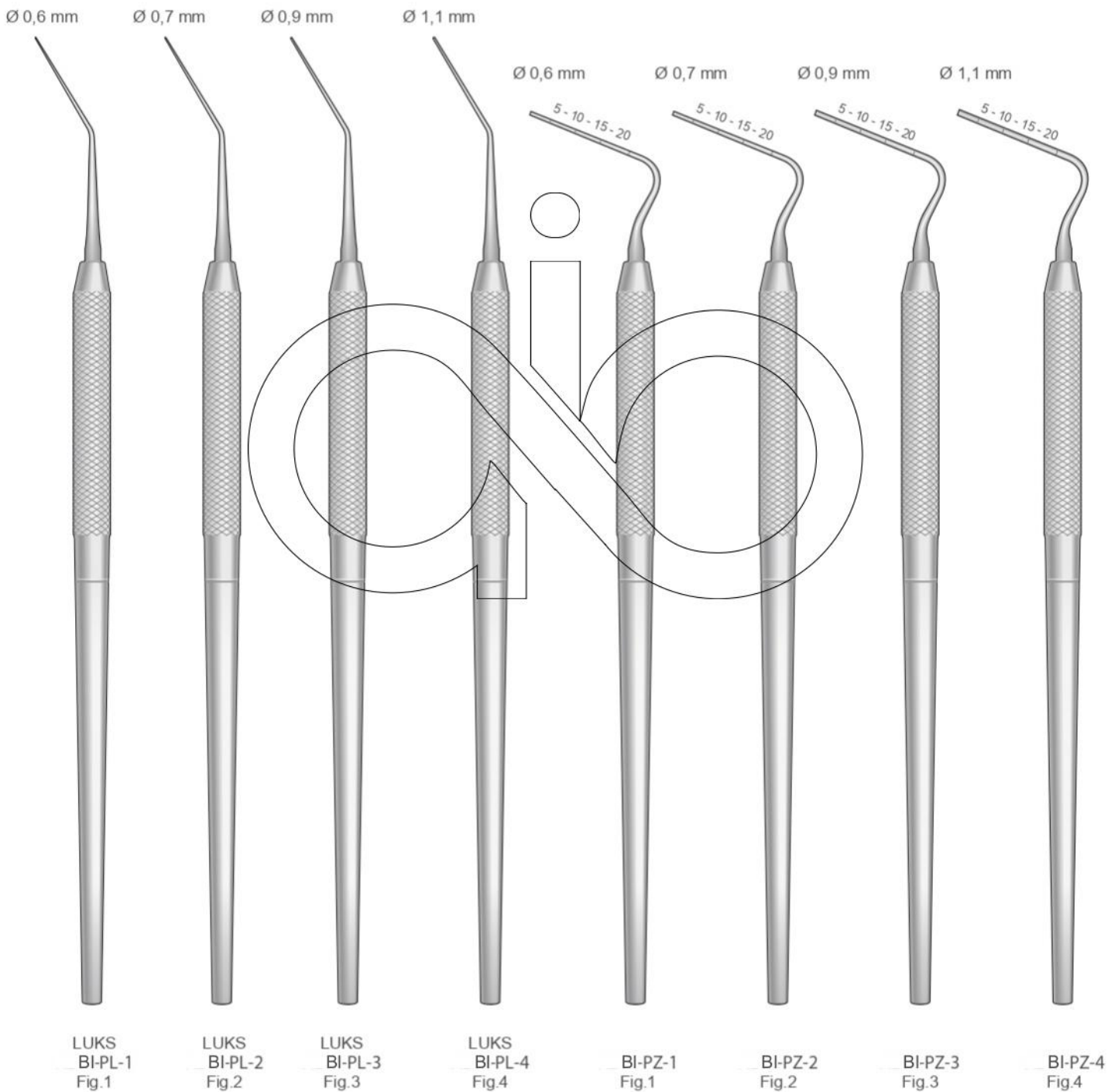




Parodontometer  
Periodontal Probes  
Sonde parodontali  
Sondas parodontales  
Sondes parodontales

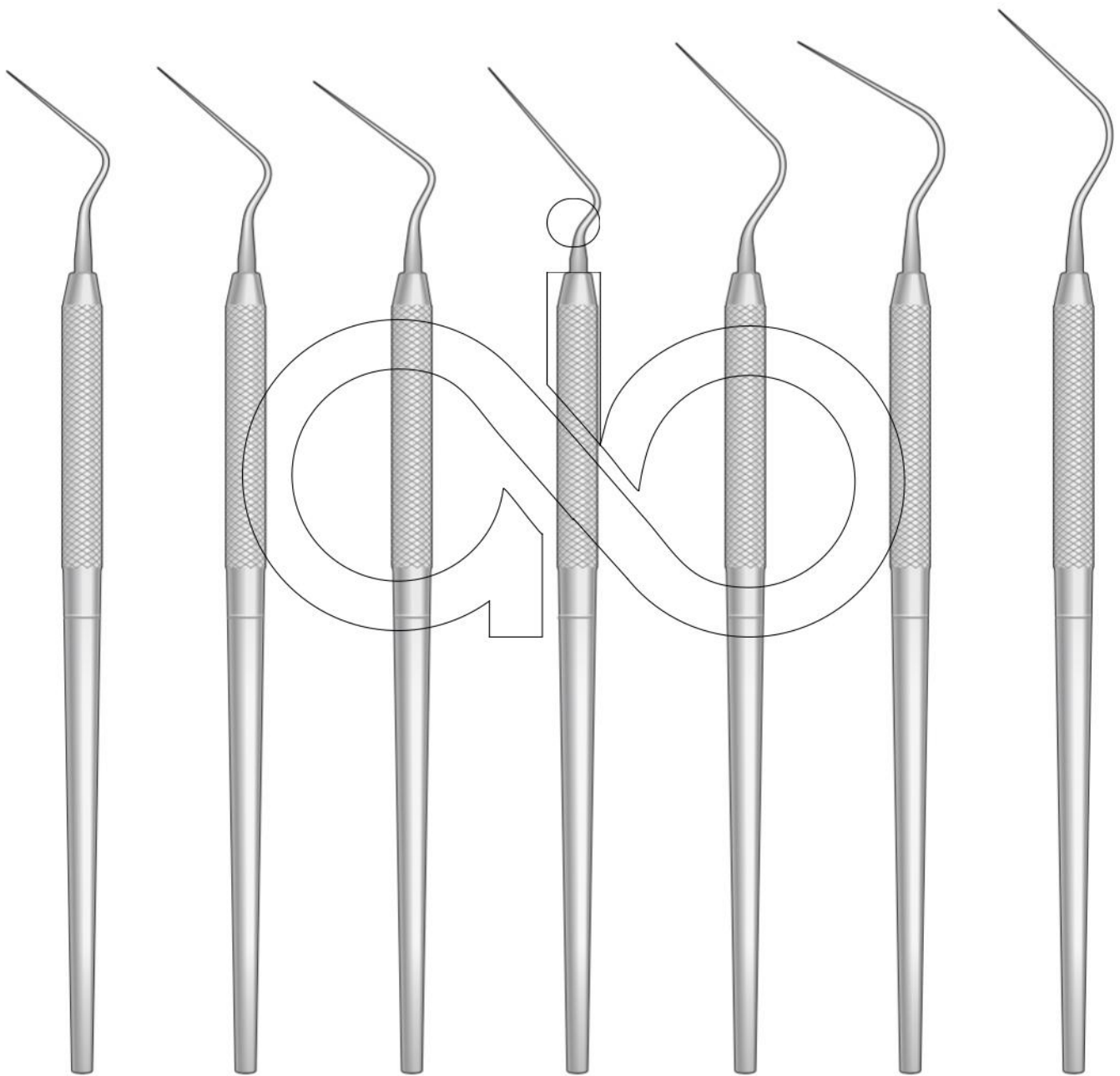


Instrumente für Endodontie  
Endodontic Instruments  
Strumenti per Endodonzia  
Instrumentos para Endodoncia  
Instruments pour Endodontie



Instrumente für Endodontie  
Endodontic Instruments  
Strumenti per Endodonzia  
Instrumentos para Endodoncia  
Instruments pour Endodontie

Spreaders



BI-SADM-P1  
Fig.1S

BI-SADM-P2  
Fig.2S

BI-SADM-P3  
Fig.D11

BI-SADM-P4  
Fig.MA57

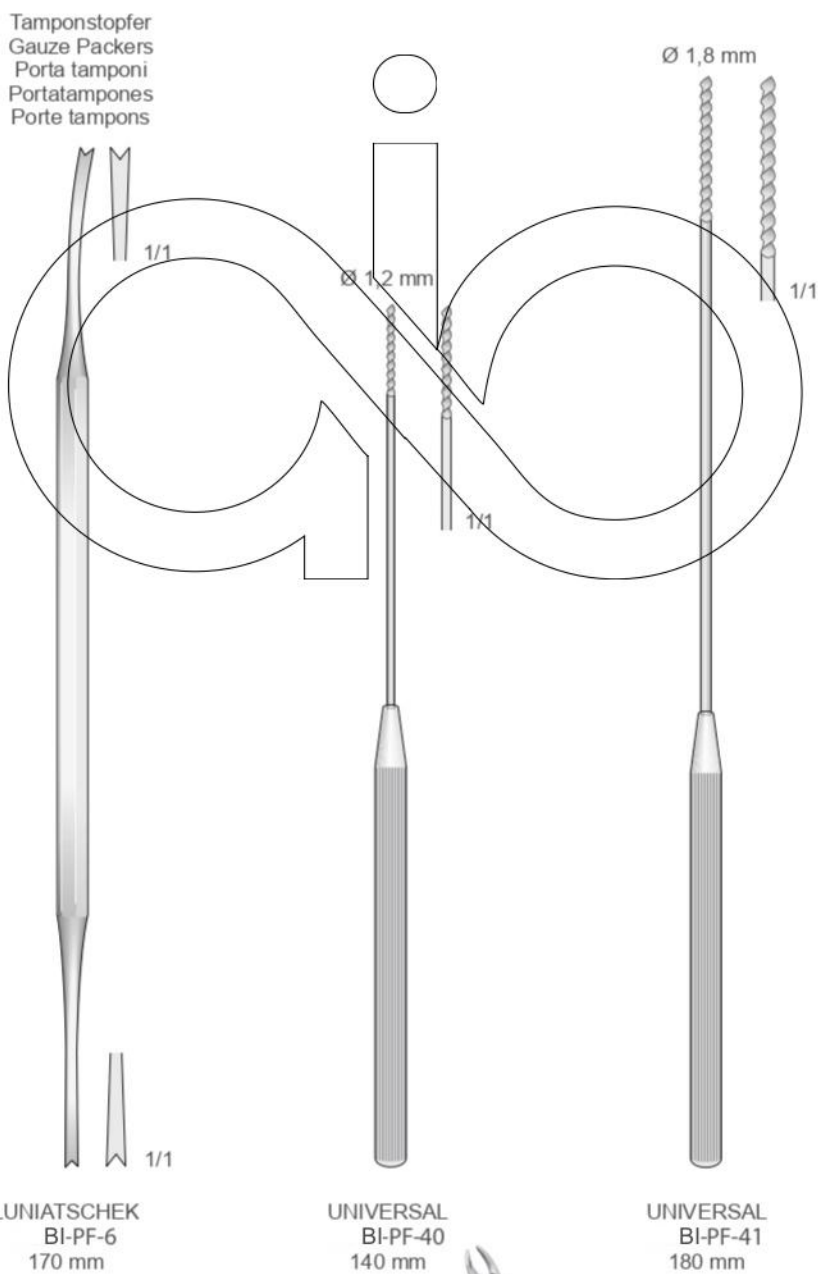
BI-SADM-P5  
Fig.0

BI-SADM-P6  
Fig.00

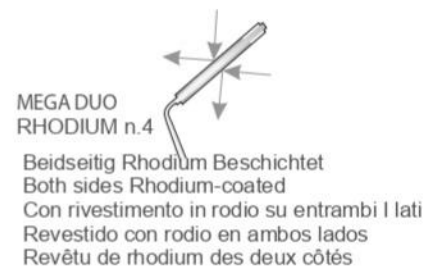
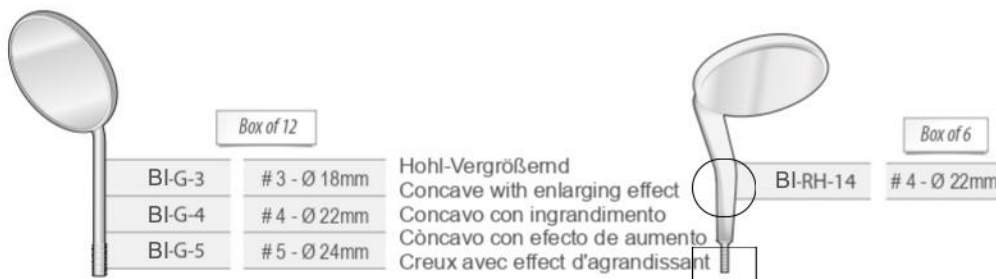
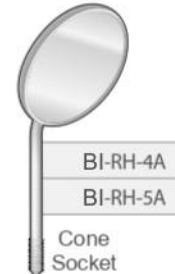
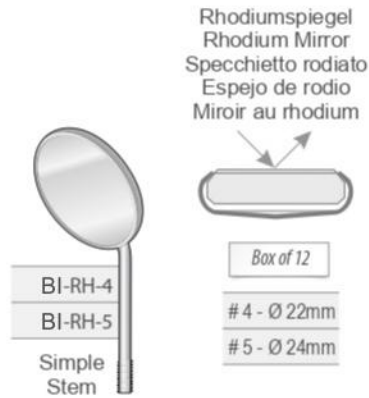
BI-SADM-P7  
Fig.3



Watteträger  
 Cotton Applicators  
 Porta cotone  
 Portaalgodón  
 Applicateur de coton

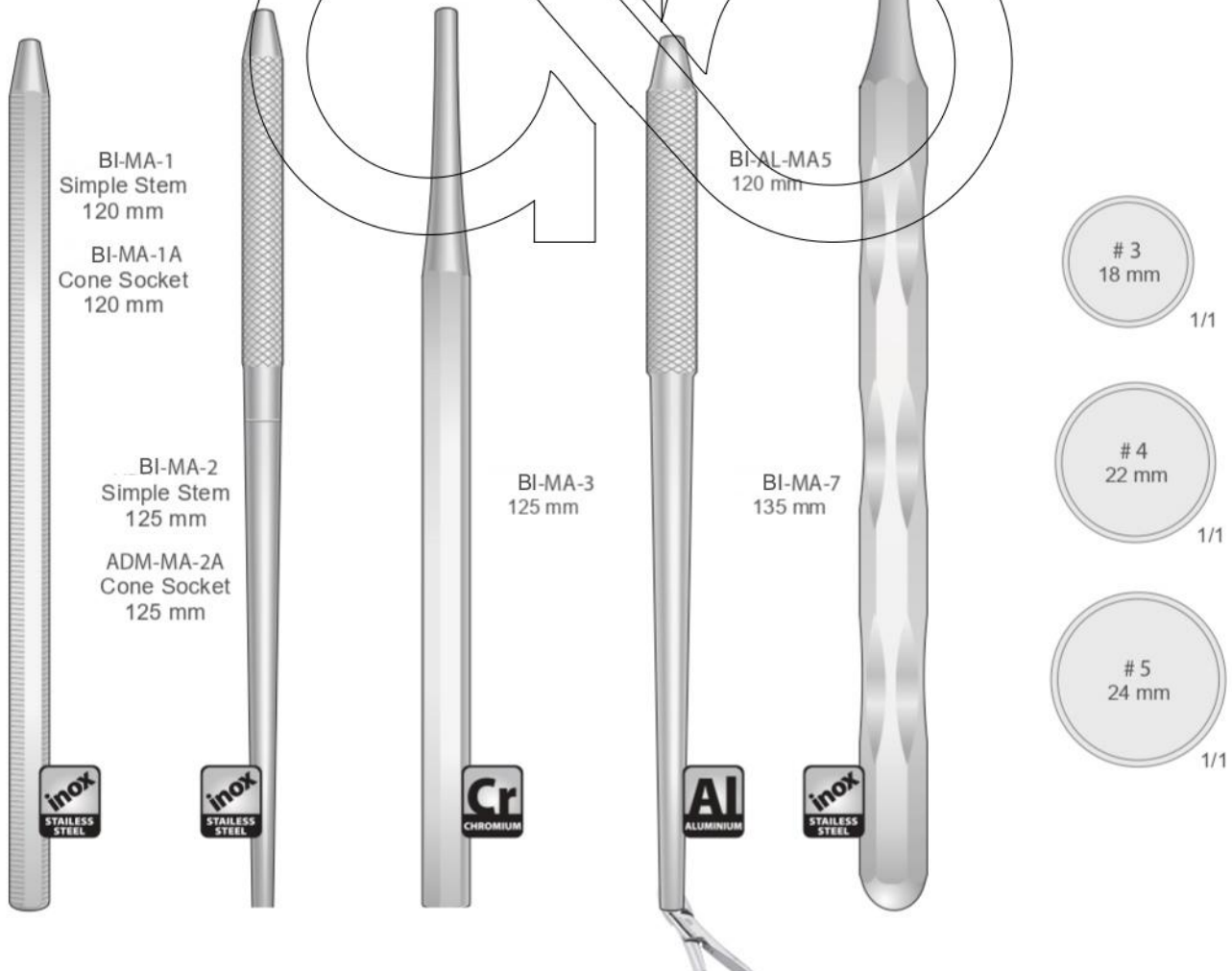


Mundspiegel und Griffe  
 Mirrors and handles  
 Specchietti e manici  
 Espejos y mangos  
 Miroirs et manches



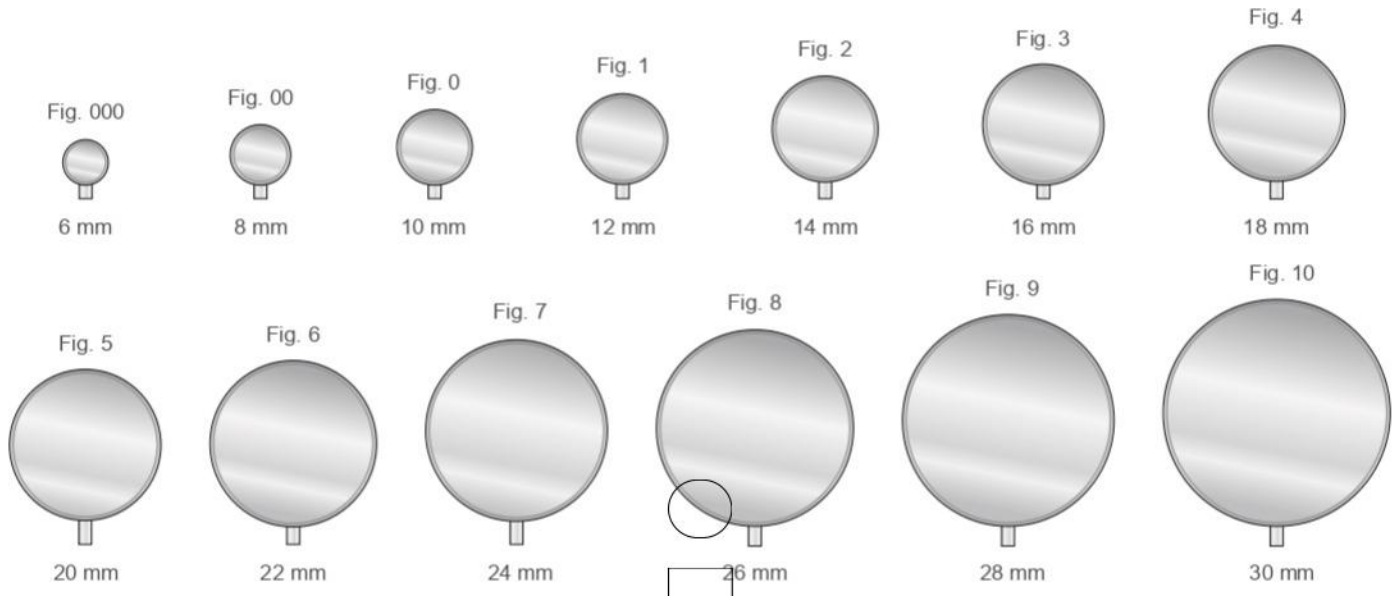
Massiv - Solid  
 Pieno - Sólido - Solide

Hohl - Hollow  
 Vuoto - Hucro - Creux



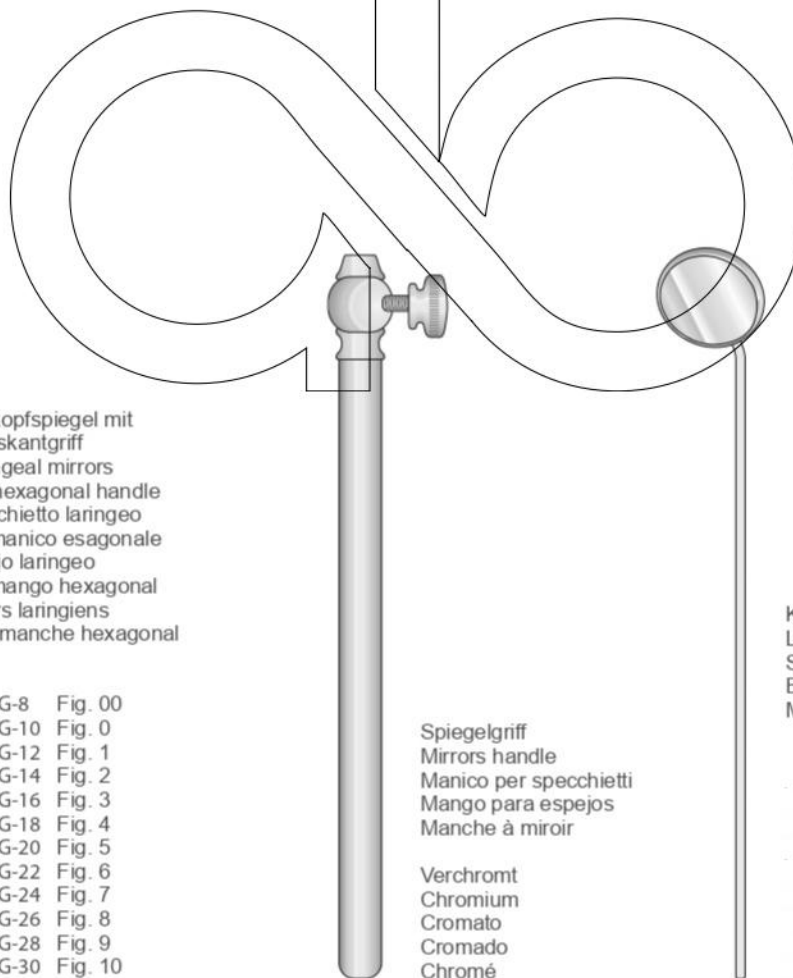
Mundspiegel und Griffe  
Mirrors and handles  
Specchietti e manici  
Espejos y mangos  
Miroirs et manches

Spiegeldurchmesser - Diameter of mirrors  
Diametro dello specchio - Diamètre des miroirs  
Diámetro de los espejos



Kehlkopfspiegel mit Sechskantgriff  
Laryngeal mirrors with hexagonal handle  
Specchietto laringeo con manico esagonale  
Espejo laringeo con mango hexagonal  
Miroirs laryngiens avec manche hexagonal

- BI-G-8 Fig. 00
- BI-G-10 Fig. 0
- BI-G-12 Fig. 1
- BI-G-14 Fig. 2
- BI-G-16 Fig. 3
- BI-G-18 Fig. 4
- BI-G-20 Fig. 5
- BI-G-22 Fig. 6
- BI-G-24 Fig. 7
- BI-G-26 Fig. 8
- BI-G-28 Fig. 9
- BI-G-30 Fig. 10



Spiegelgriff  
Mirrors handle  
Manico per specchietti  
Mango para espejos  
Manche à miroir

Verchromt  
Chromium  
Cromato  
Cromado  
Chromé

Kehlkopfspiegel  
Laryngeal mirrors  
Specchietto laringeo  
Espejos laringeos  
Miroirs laryngiens

- BI-P000 Fig. 000
- BI-P00 Fig. 00
- BI-P0 Fig. 0
- BI-P01 Fig. 1
- BI-P02 Fig. 2
- BI-P03 Fig. 3
- BI-P04 Fig. 4
- BI-P05 Fig. 5
- BI-P06 Fig. 6

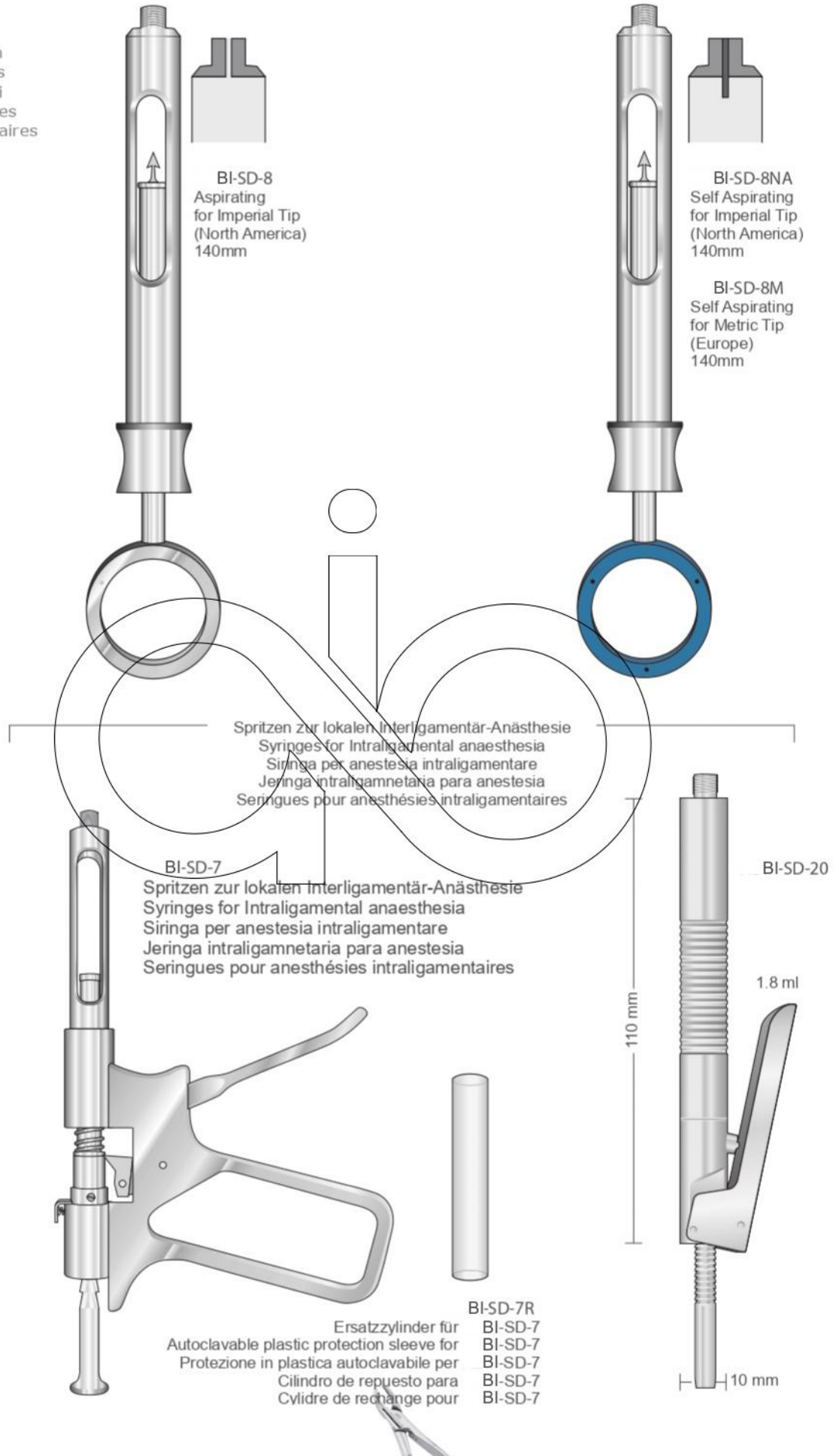
BI-G-8/ BI-G-30  
180 mm

BI-MA-6  
120 mm

BI-P000/ BI-P06  
120 mm

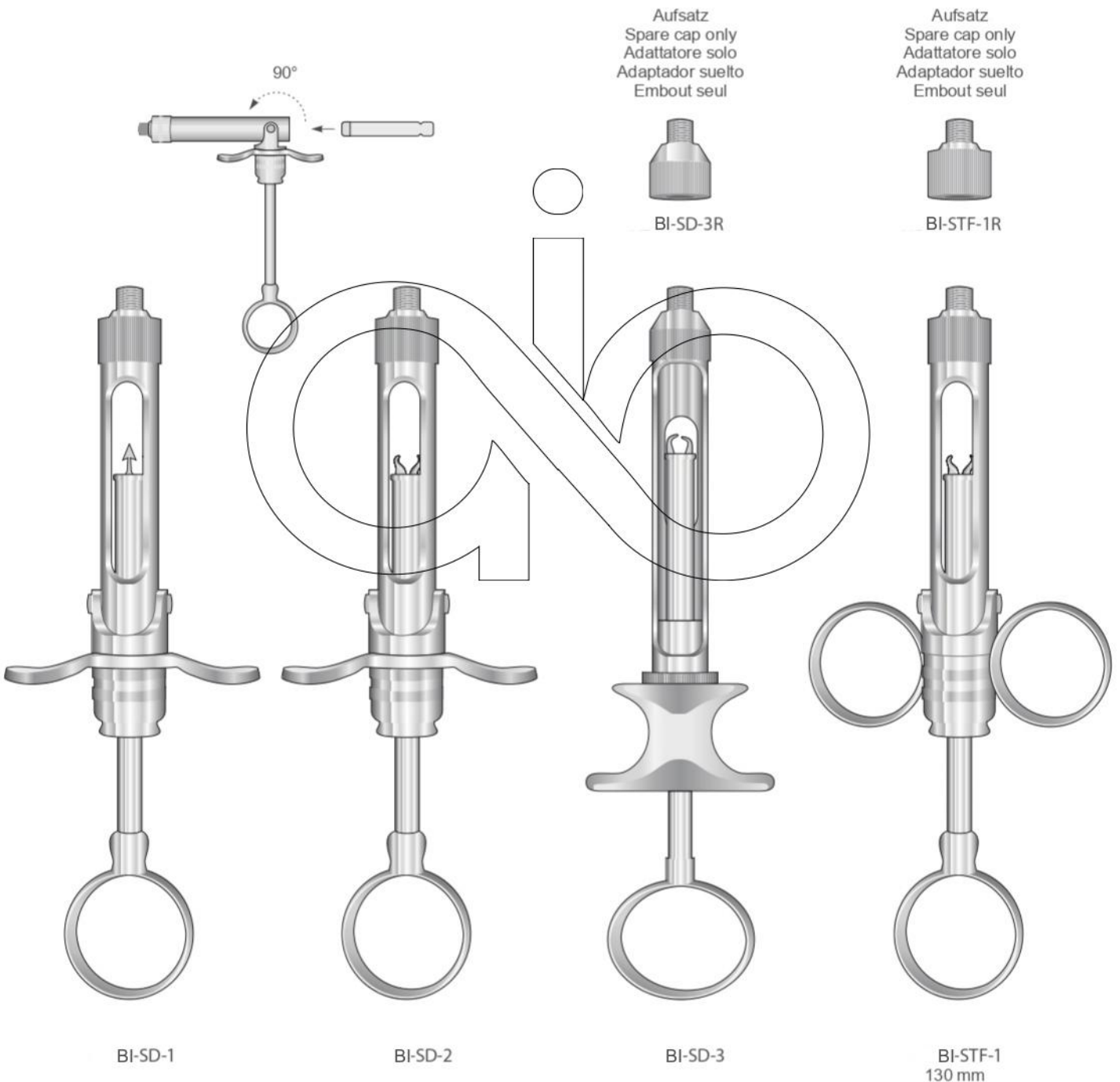


Dental-Spritzen  
Dental Syringes  
Siringhe dentali  
Jeringas dentales  
Seringues dentaires



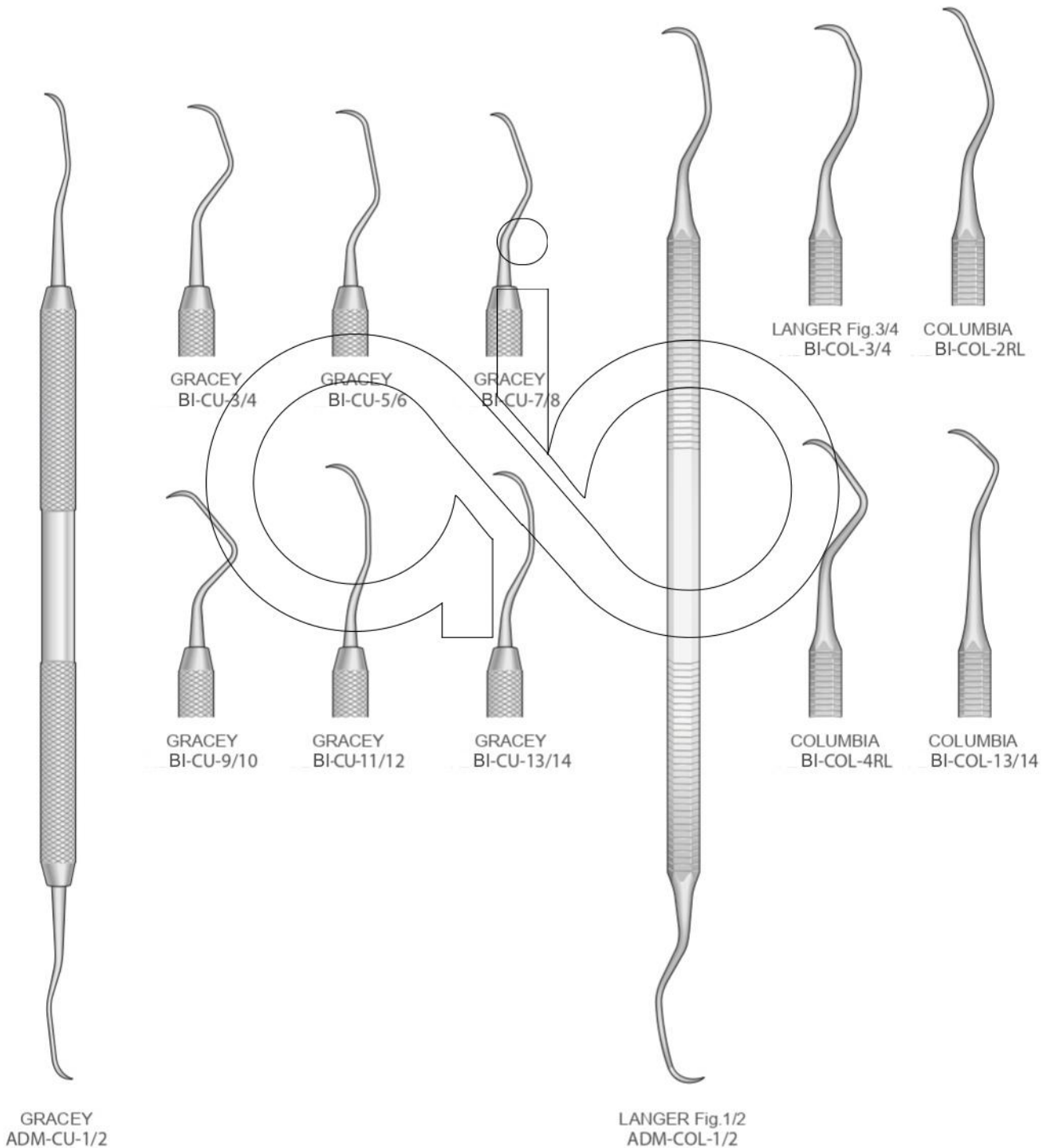
Dental-Spritzen  
Dental syringes  
Siringhe dentali  
Jeringas dentales  
Seringues dentaires

Zylinder-Ampullen Spritzen  
Cartridge Syringes  
Siringhe per tubofiale  
Jeringas de ampollas  
Seringues d'ampoules



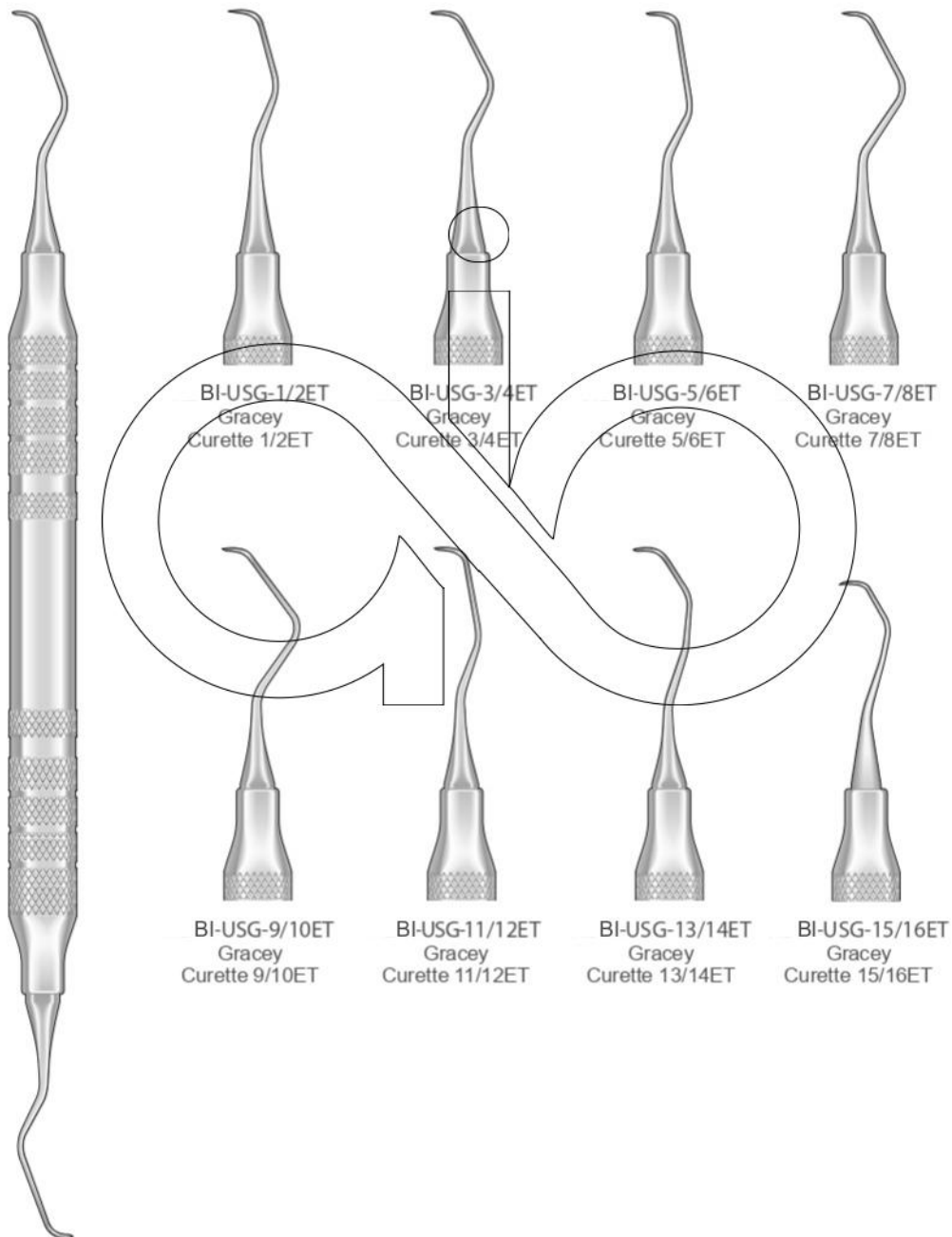


Küretten  
Curettes  
Curette  
Curetas  
Curettes





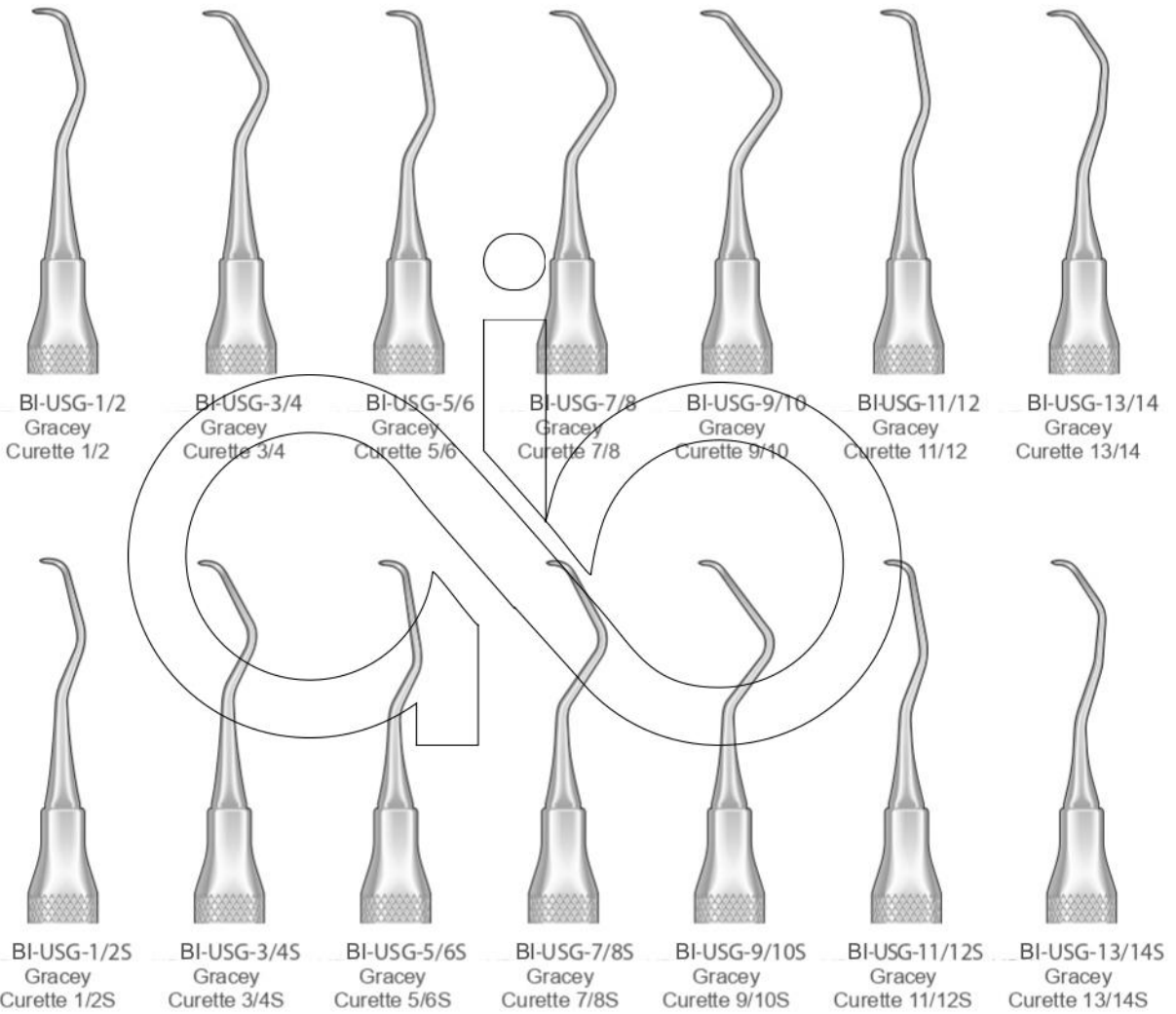
Scaler und Küretten  
Scalers and Currettes  
Scaler e Curette  
Raspadores y Curetas  
Déartreurs et Curettes



Scaler und Küretten  
Scalers and Curettes  
Scaler e Curette  
Raspadores y Curetas  
Détartreurs et Curettes



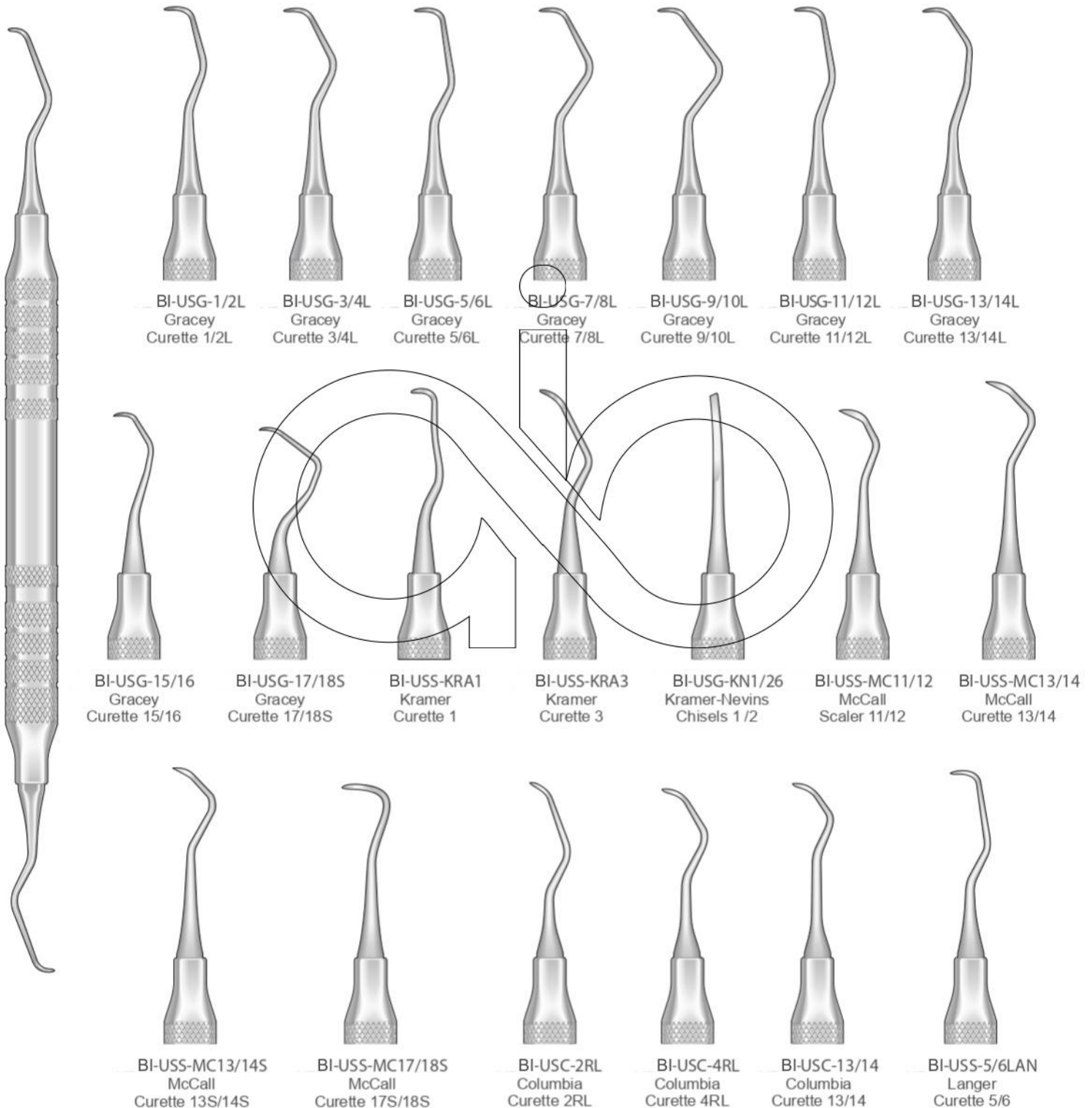
Hollow  
Hohl  
Creux  
Hueco  
Vuoto







Scaler und Küretten  
 Scalers and Curettes  
 Scaler e Curette  
 Raspadores y Curetas  
 Détartreurs et Curettes





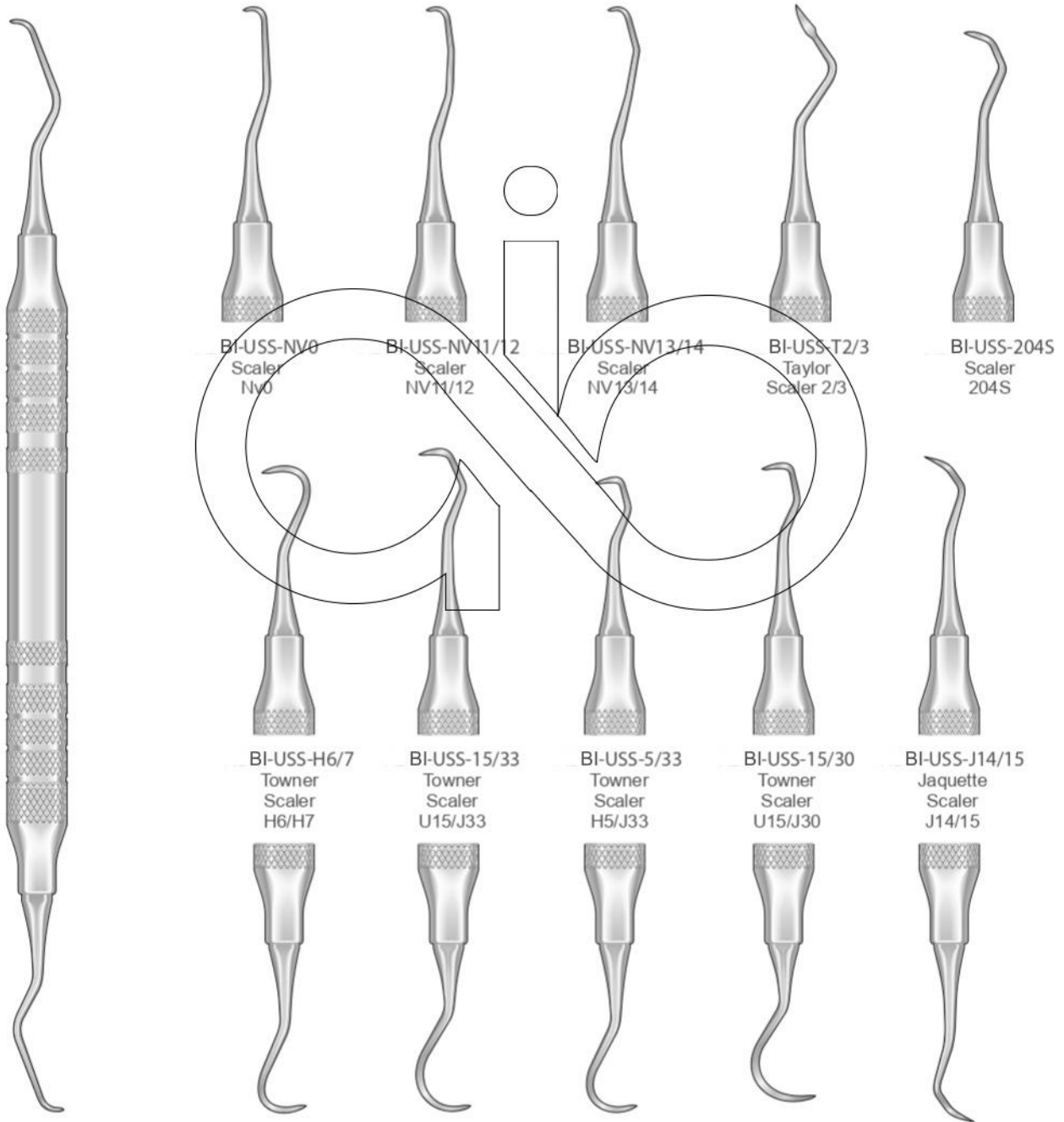
Scaler und Küretten  
Scalers and Curettes  
Scaler e Curette  
Raspadores y Curetas  
Détartreurs et Curettes



Hollow  
Hohl  
Creux  
Hueco  
Vuoto



Ø 9 mm



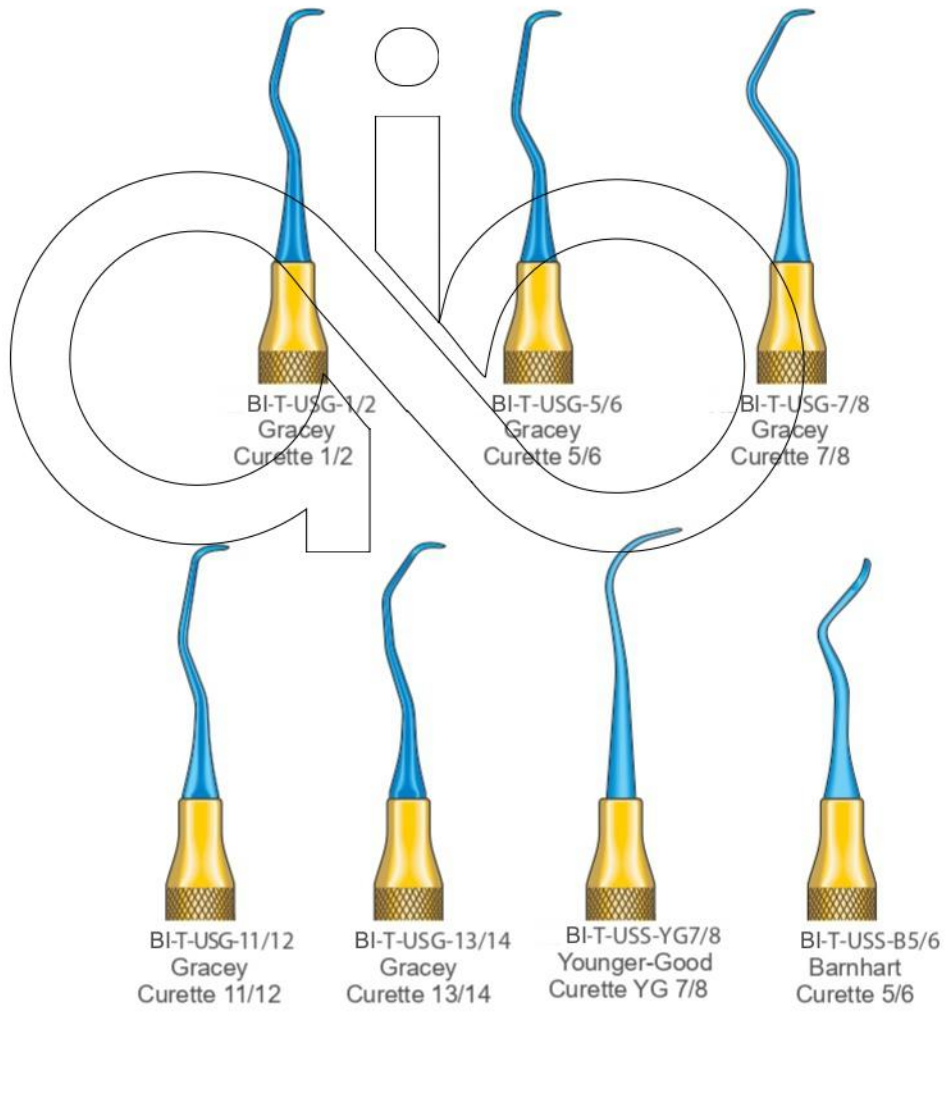


Hollow  
Hohl  
Creux  
Hueco  
Vuoto

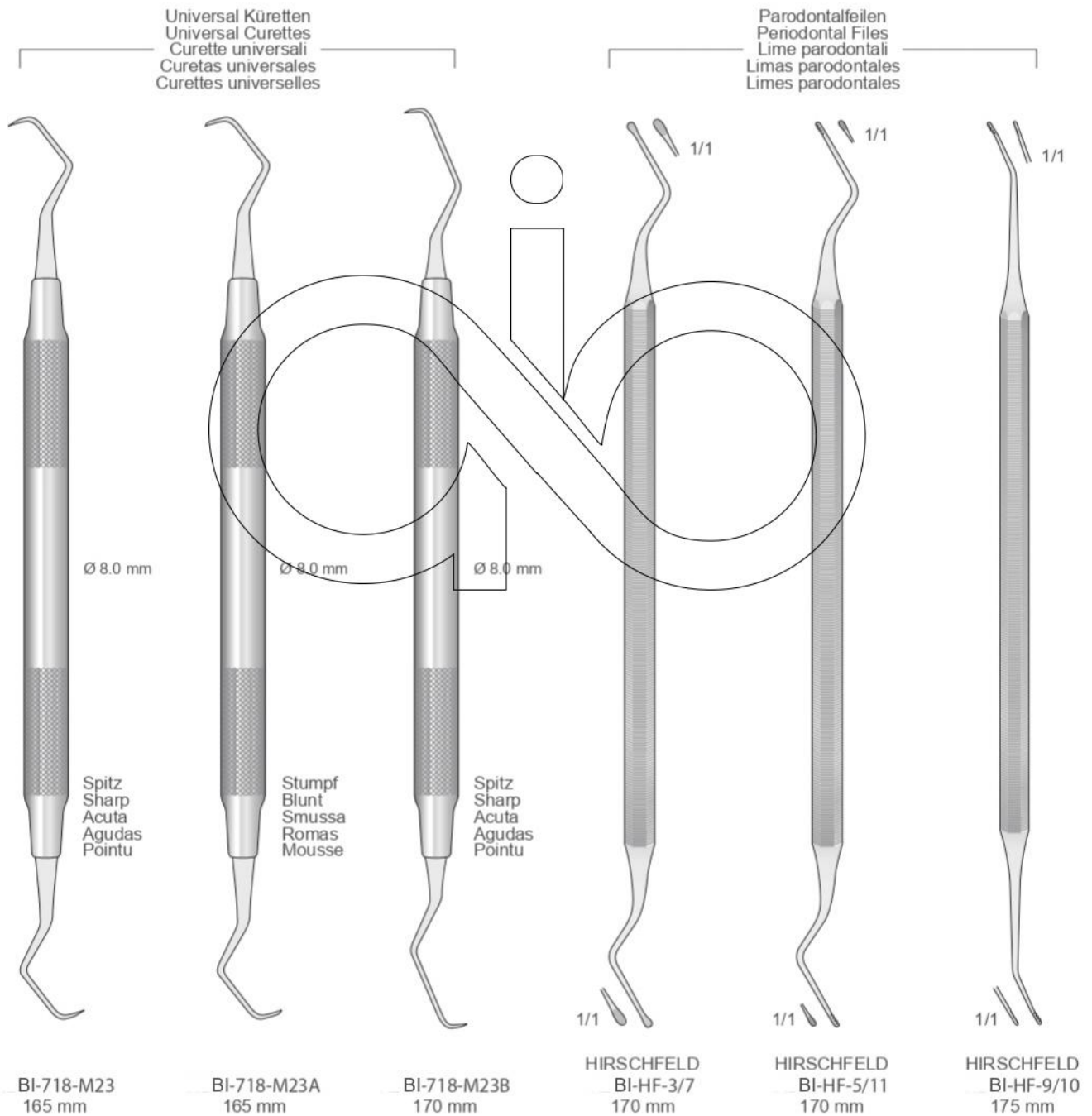


Elite Titanium  
Scaler und Küretten  
Scalers and Curettes  
Scaler e Curette  
Raspadores y Curetas  
Détartreurs et Curettes

Designed for removing calculus on implants surfaces.  
Gold coloured handle with a titanium coating for easy identification purposes  
so they won't be mixed up with standard stainless instruments.



Küretten - Feilen  
Curettes - Files  
Curette - Lime  
Curetasc - Lima  
Curettes - Limes





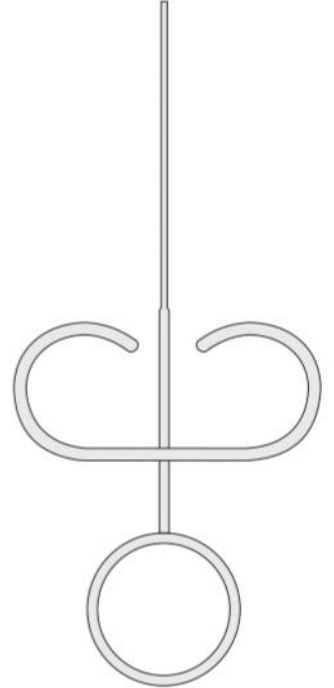
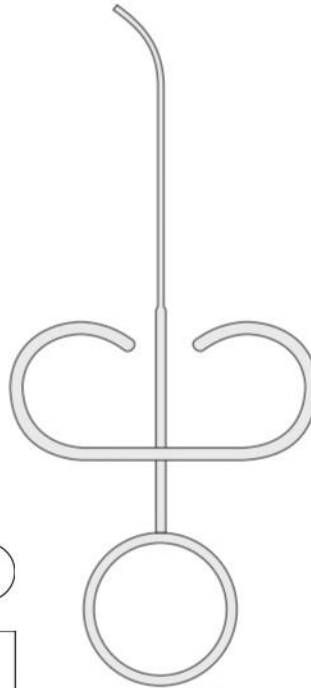
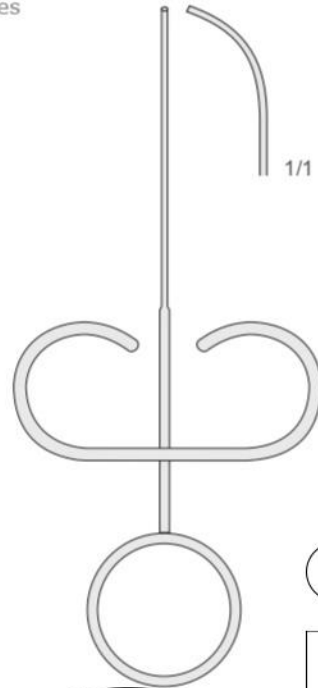


Amalgampistole für retrograde  
Amalgam gun for retrograde  
Siringhe portamalgame retrogradi  
Portaamalgama para retrógradas  
Porte-amalgame pour rétrogrades

Nach oben Gebogen - Curved up  
Curva in avanti - Curvas hacia arriba  
Courbes vers le haut  
Ø 0,9 mm

Seitwärts Gebogen - Curved to side  
Curva sul lato - Curvas laterales  
Courbes latérales  
Ø 0,9 mm

Gerade - Straight  
Diritta - Rectas  
Droites  
Ø 1,2 mm



BI-SS-51  
130 mm

BI-SS-55  
130 mm

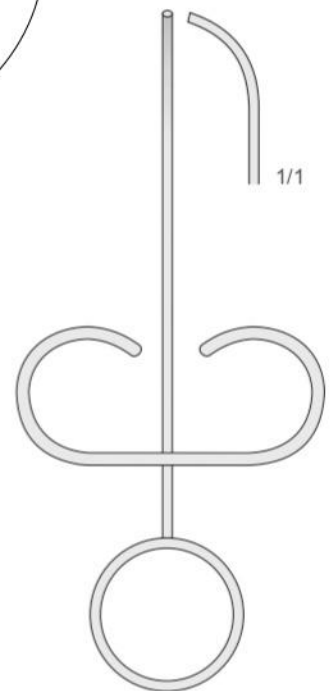
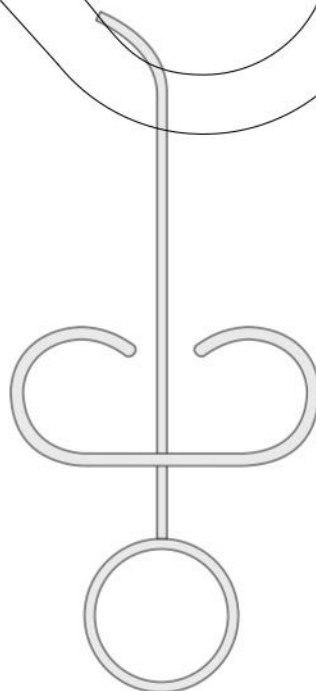
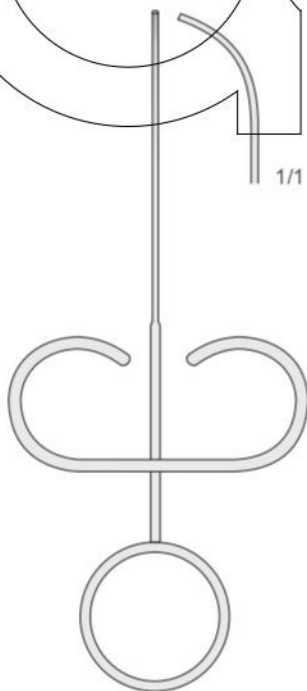
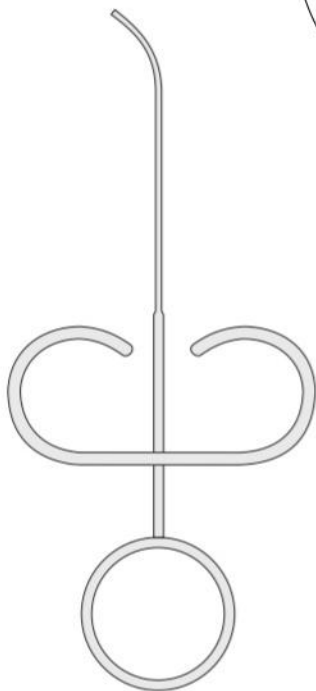
BI-SS-54  
130 mm

Seitwärts Gebogen - Curved to side  
Curva sul lato - Curvas laterales  
Courbes latérales  
Ø 1,2 mm

Nach oben Gebogen - Curved up  
Curva in avanti - Curva hacia arriba  
Courbes vers le haut  
Ø 1,2 mm

Seitwärts Gebogen - Curved to side  
Curva sul lato - Curvas laterales  
Courbes latérales  
Ø 1,8 mm

Nach oben Gebogen - Curved up  
Curva in avanti - Curvas hacia arriba  
Courbes vers le haut  
Ø 1,8 mm



BI-SS-56  
130 mm

BI-SS-58  
130 mm

BI-SS-50  
130 mm

BI-SS-52  
130 mm



Amalgambecher  
Amalgam Well  
Mortajo per amalgama  
Vaso para amalgama  
Gobelet pour amalgame

Amalgamträger  
Amalgam Carriers  
Porta amalgama  
Porta-amalgamas  
Porte-amalgames

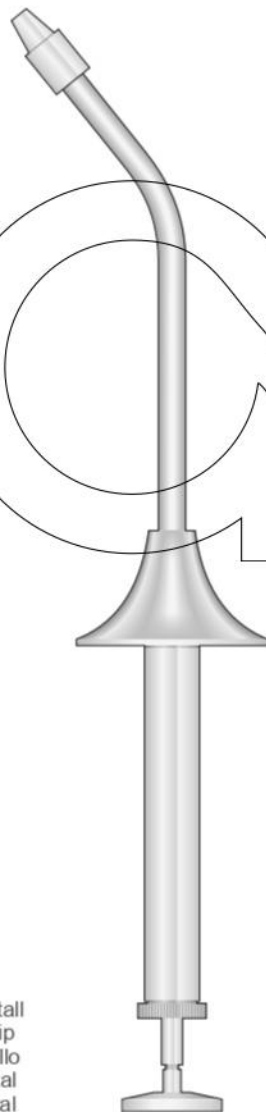
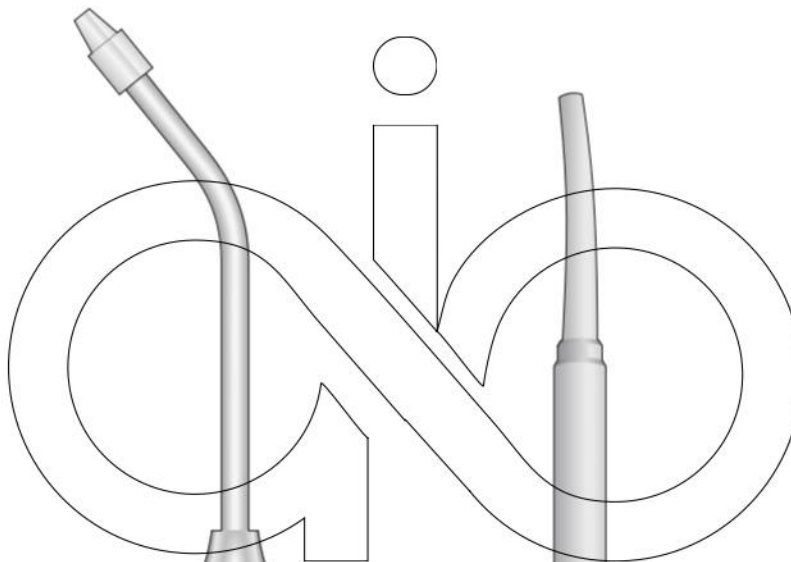


BI-SS-65  
Ø 35 mm  
h. 35 mm

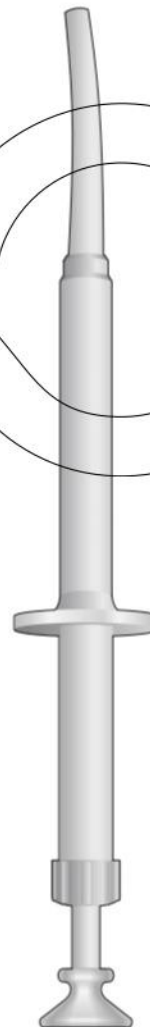


BI-SS-15

Aus Metall  
Metal tip  
In metallo  
De metal  
En métal

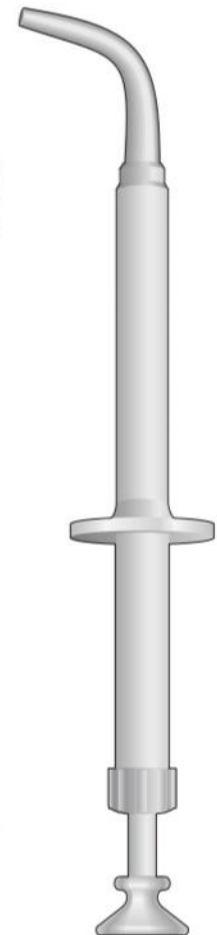


BI-SS-16



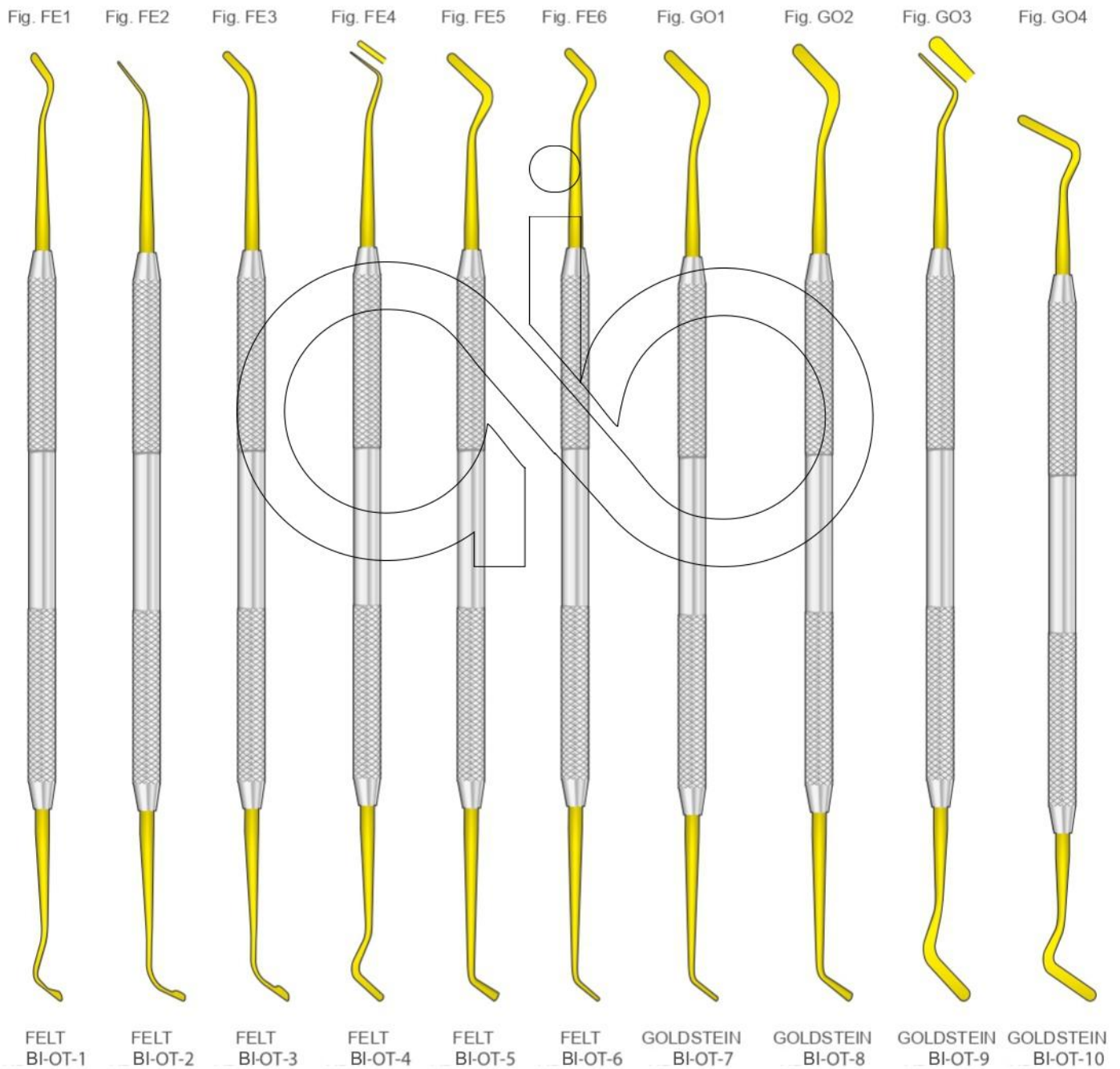
BI-SS-41  
170 mm

Autoclavable  
Aus Kunststoff  
Plastic tip  
In plastica  
De plàstico  
En plastique



BI-SS-42  
160 mm

Kompositinstrumente  
Composite Instruments  
Strumenti per composito  
Instrumentos para composites  
Instruments pour composites





Kompositinstrumente  
 Composite Instruments  
 Strumenti per composito  
 Instrumentos para composites  
 Instruments pour composites



Fig. CP1  
1,5 mm



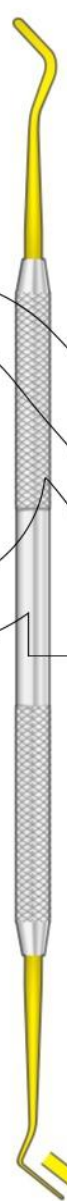
BI-OT-11

Fig. CP2  
2,0 mm



BI-OT-12

Fig. CP3  
2,0 mm



BI-OT-13

Fig. CP4  
2,5 mm



BI-OT-14

Fig. CP5



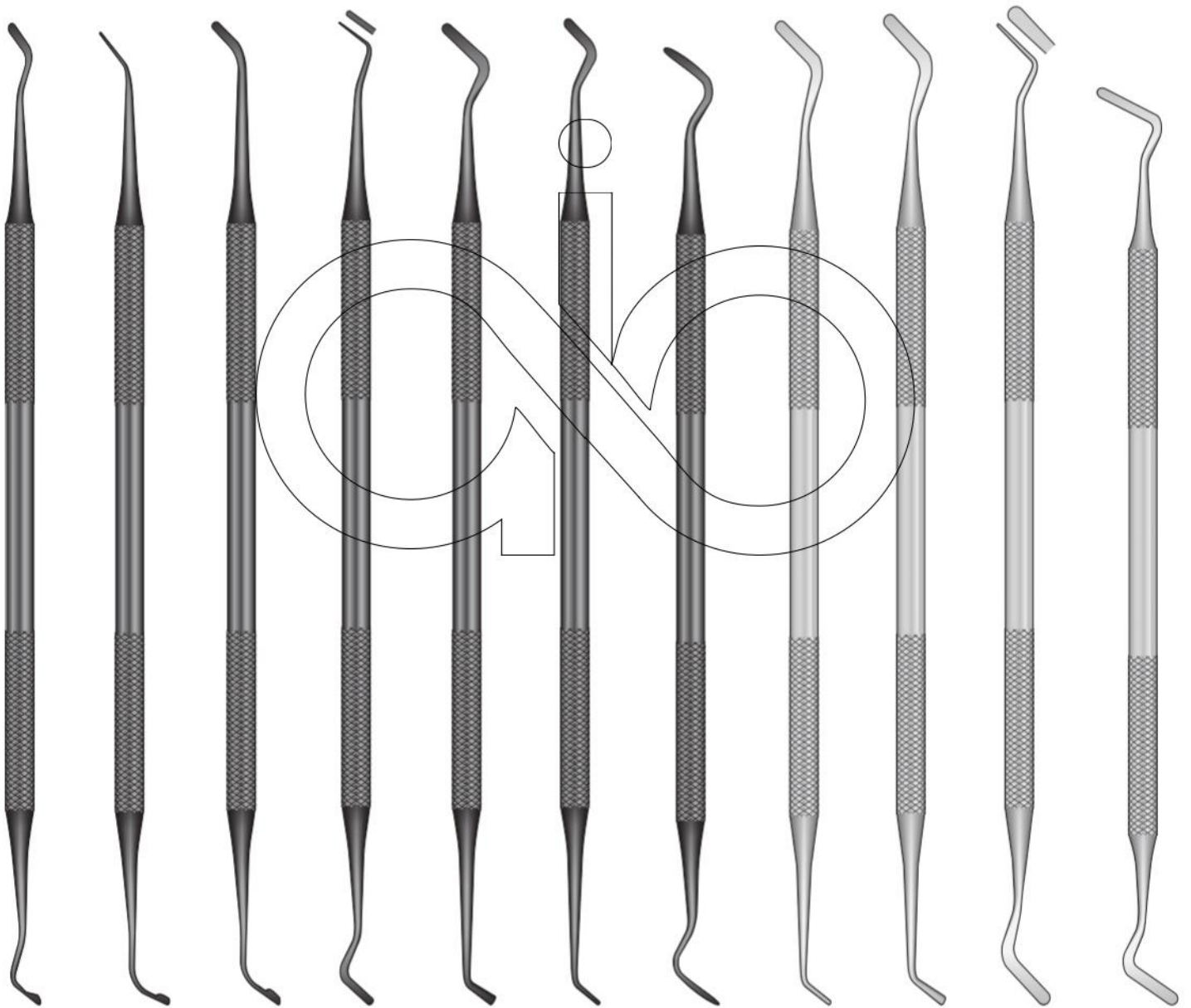
BI-OT-15

Fig. CP6



BI-OT-16

Kompositinstrumente  
Composite Instruments  
Strumenti per composito  
Instrumentos para composites  
Instruments pour composites



FELT  
BI-FE-1

FELT  
BI-FE-2

FELT  
BI-FE-3

FELT  
BI-FE-4

FELT  
BI-FE-5

FELT  
BI-FE-6

FELT  
BI-FE-4/5

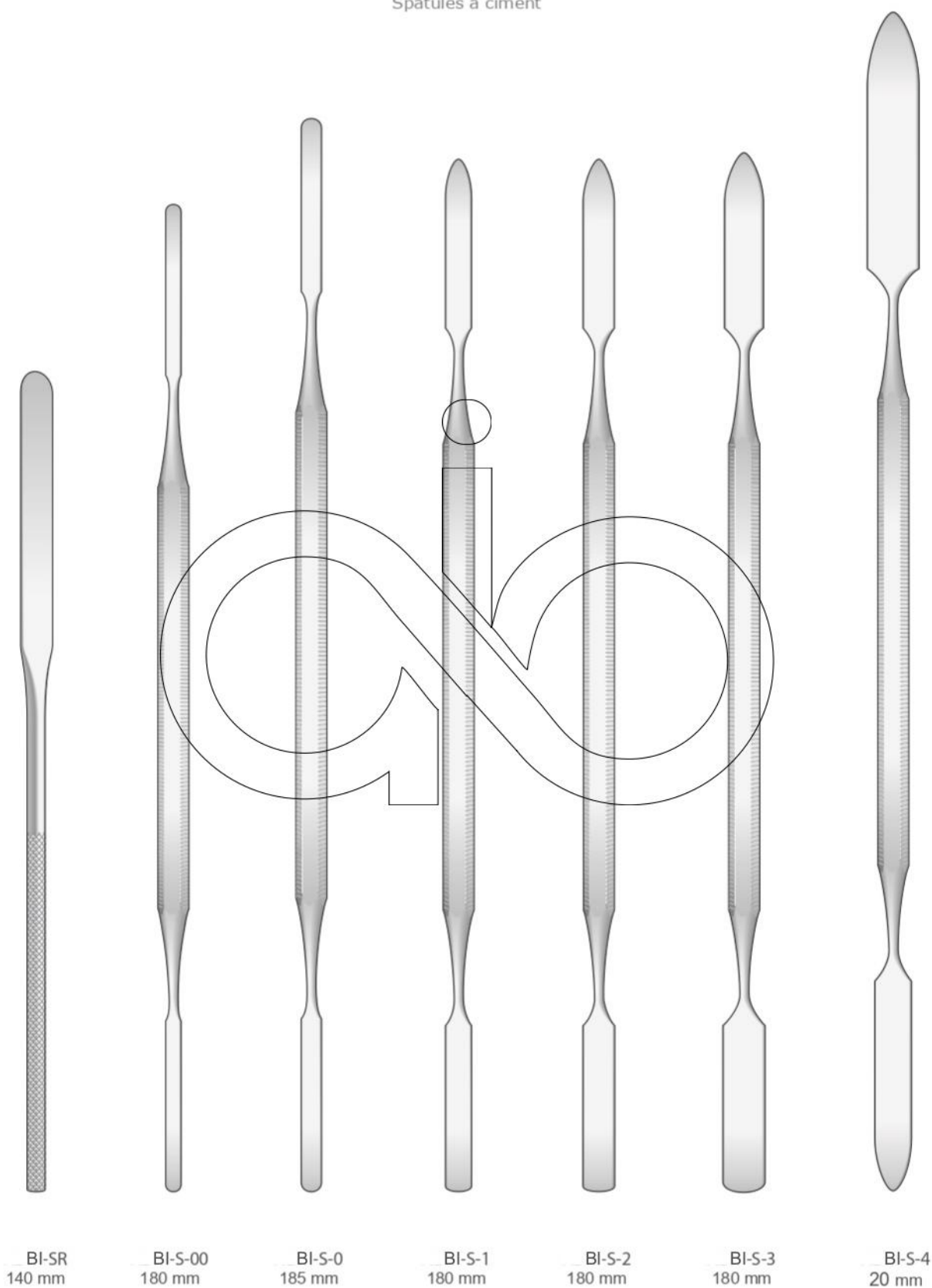
GOLDSTEIN  
BI-GO-1

GOLDSTEIN  
BI-GO-2

GOLDSTEIN  
BI-GO-3

GOLDSTEIN  
BI-GO-4

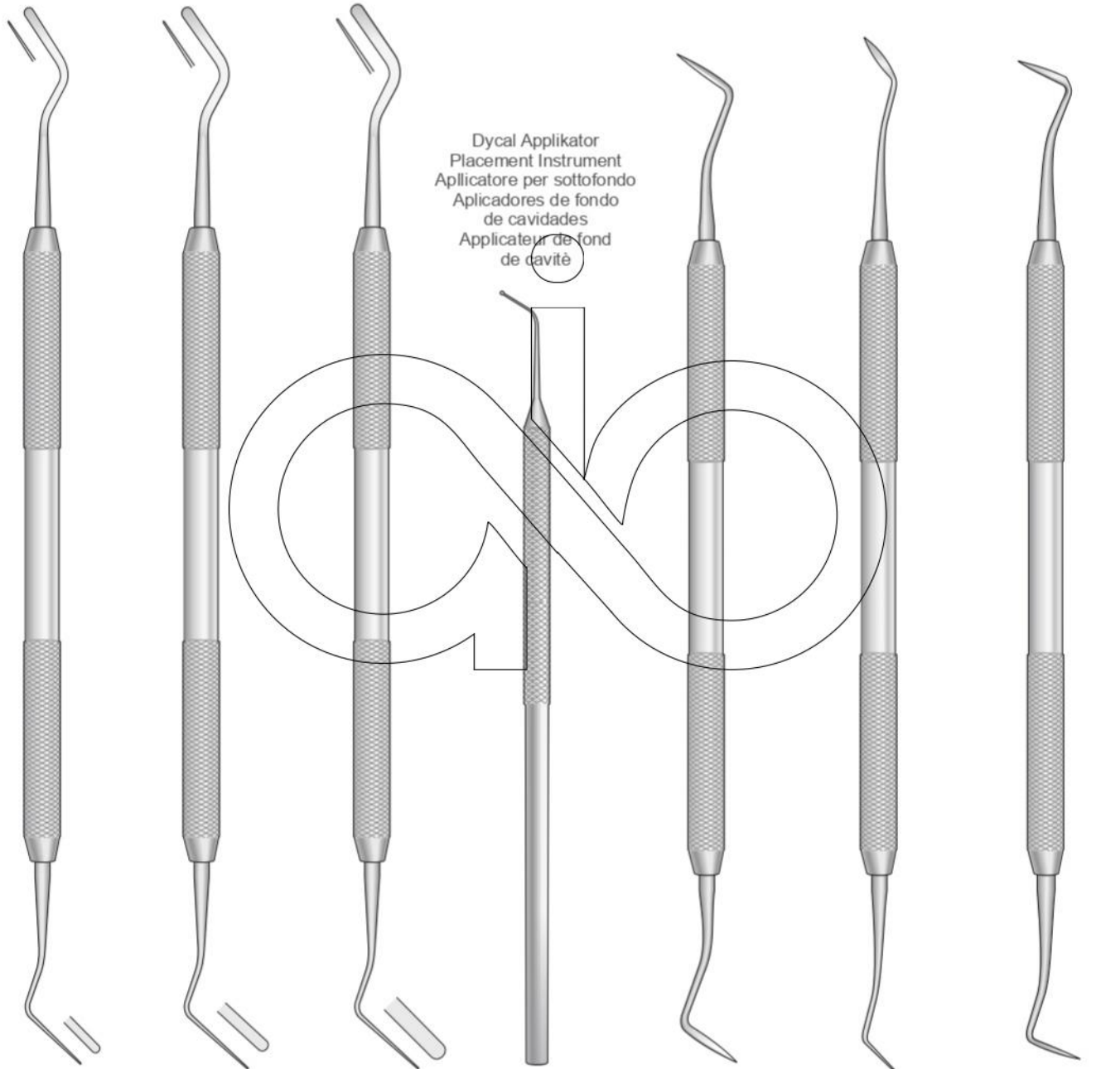
Zementspatel  
Cement Spatulas  
Spatole per cemento  
Espátulas para cemento  
Spatules à ciment



Füllungsinstrumente  
Filling Instruments  
Strumenti per otturazione  
Instrumentos para obturación  
Instruments pour obturation

Heidemann-Spateln  
Heidemann Spatulas  
Spatole Heidemann  
Espátulas Heidemann  
Spatules Heidemann

Amalgam Instrumente  
Amalgam Carvers  
Strumenti per modellare l'amalgama  
Instrumentos para modelar las obturaciones  
Instruments à modeler l'amalgame



BI-H-1  
Fig. 1

BI-H-2  
Fig. 2

BI-H-3  
Fig. 3

BI-A-1  
125 mm

BI-R-1  
HOLLENBACH  
# 1 - 165 mm

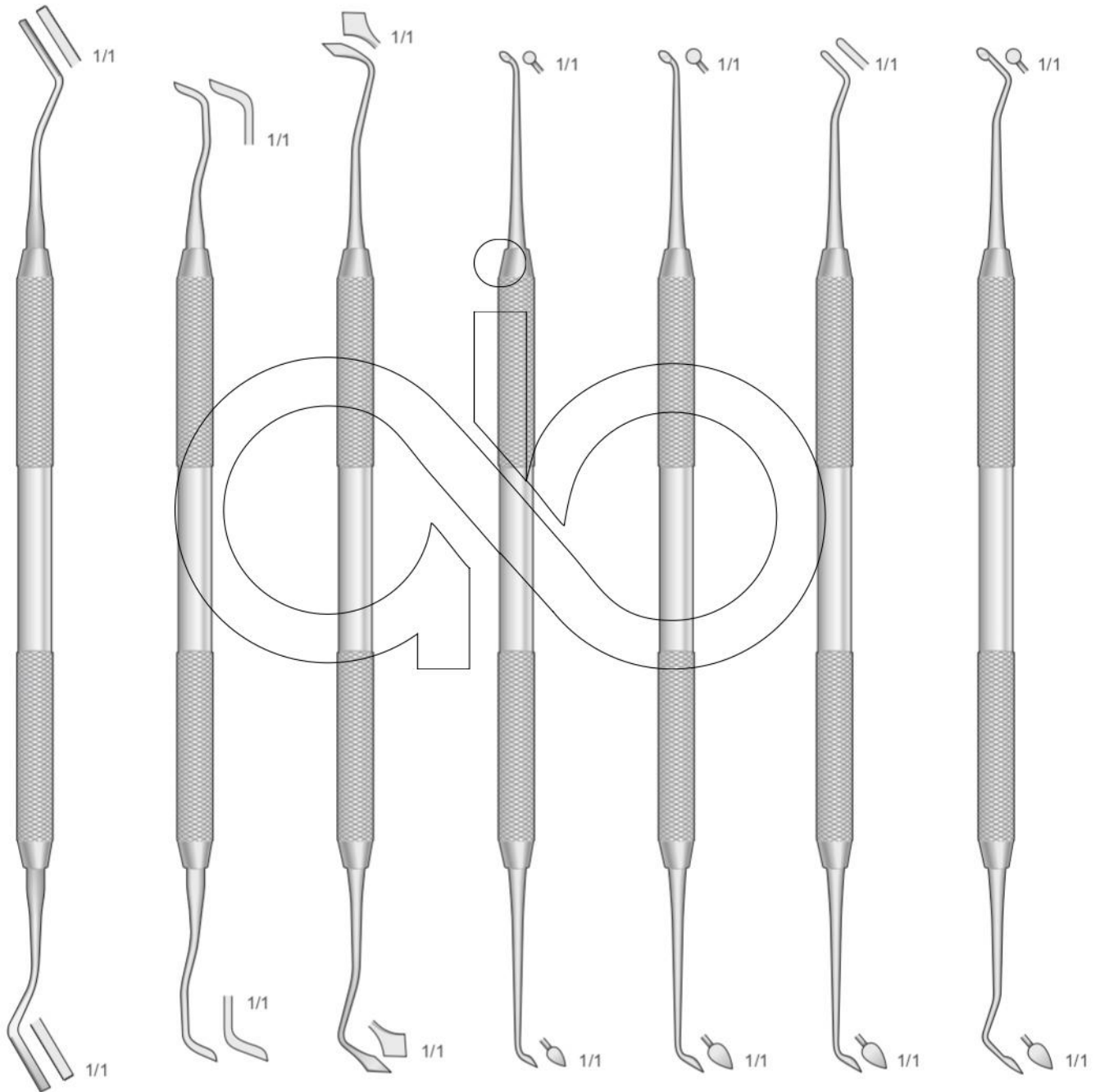
BI-R-2  
HOLLENBACH  
# 1/2 - 165 mm

BI-R-3  
HOLLENBACH  
# 3 - 165 mm

Amalgam Instrumente  
 Amalgam Carvers  
 Strumenti per modellare l'amalgama  
 Instrumentos para modelar las obturaciones  
 Instruments à modeler l'amalgame

Instrument für Drahrückzug  
 Instrument for retractor wire  
 Strumento per filo retrattore  
 Instrumento para hilo separador  
 Instruments pour fil séparateur

Cleoids - Discoids



BI-CV-11

BI-USC-2  
USC

BI-F-2/3  
FRAHM

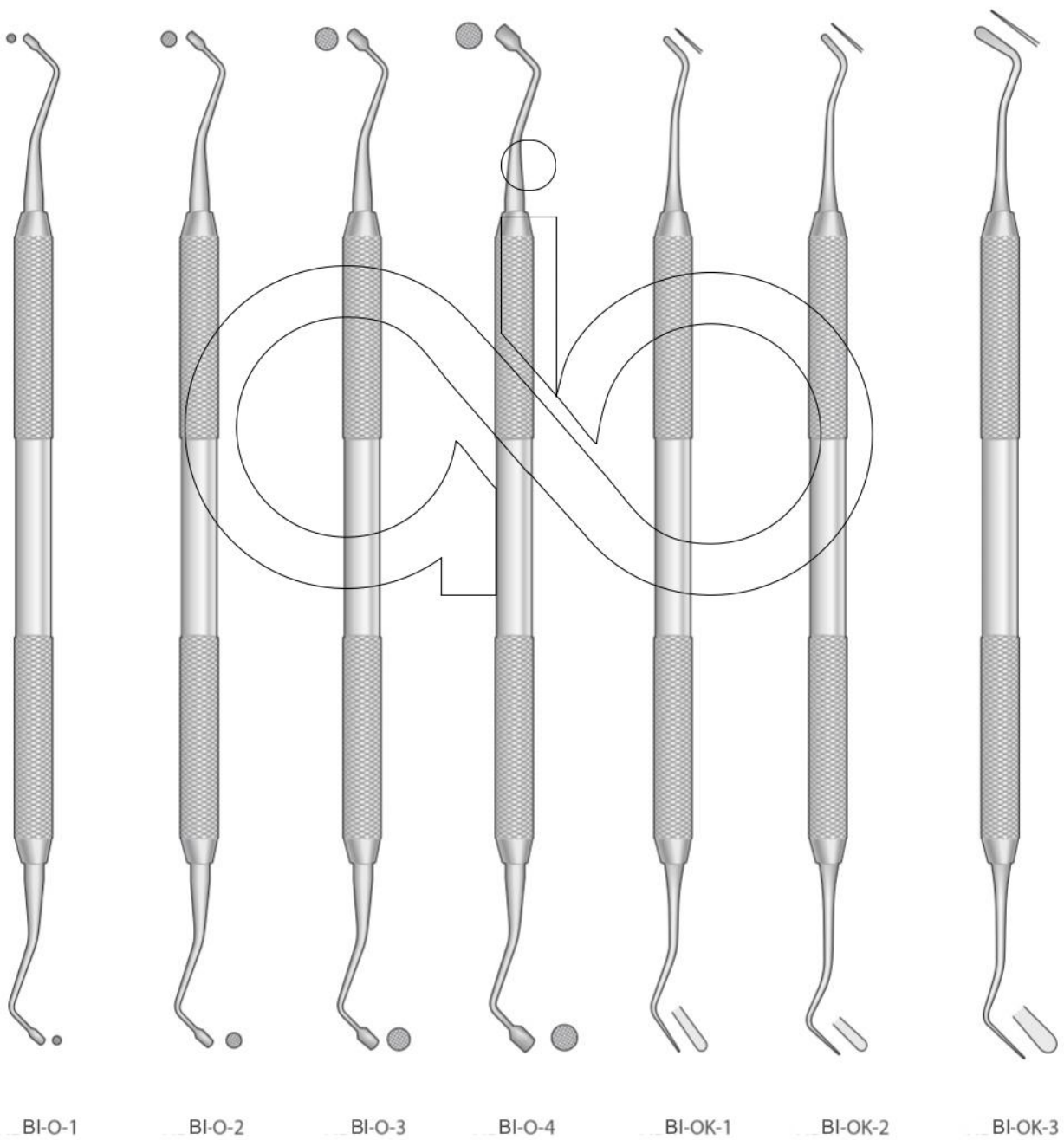
BI-CD-1V  
Fig. 1/2

BI-CD-2  
Fig. 4/5

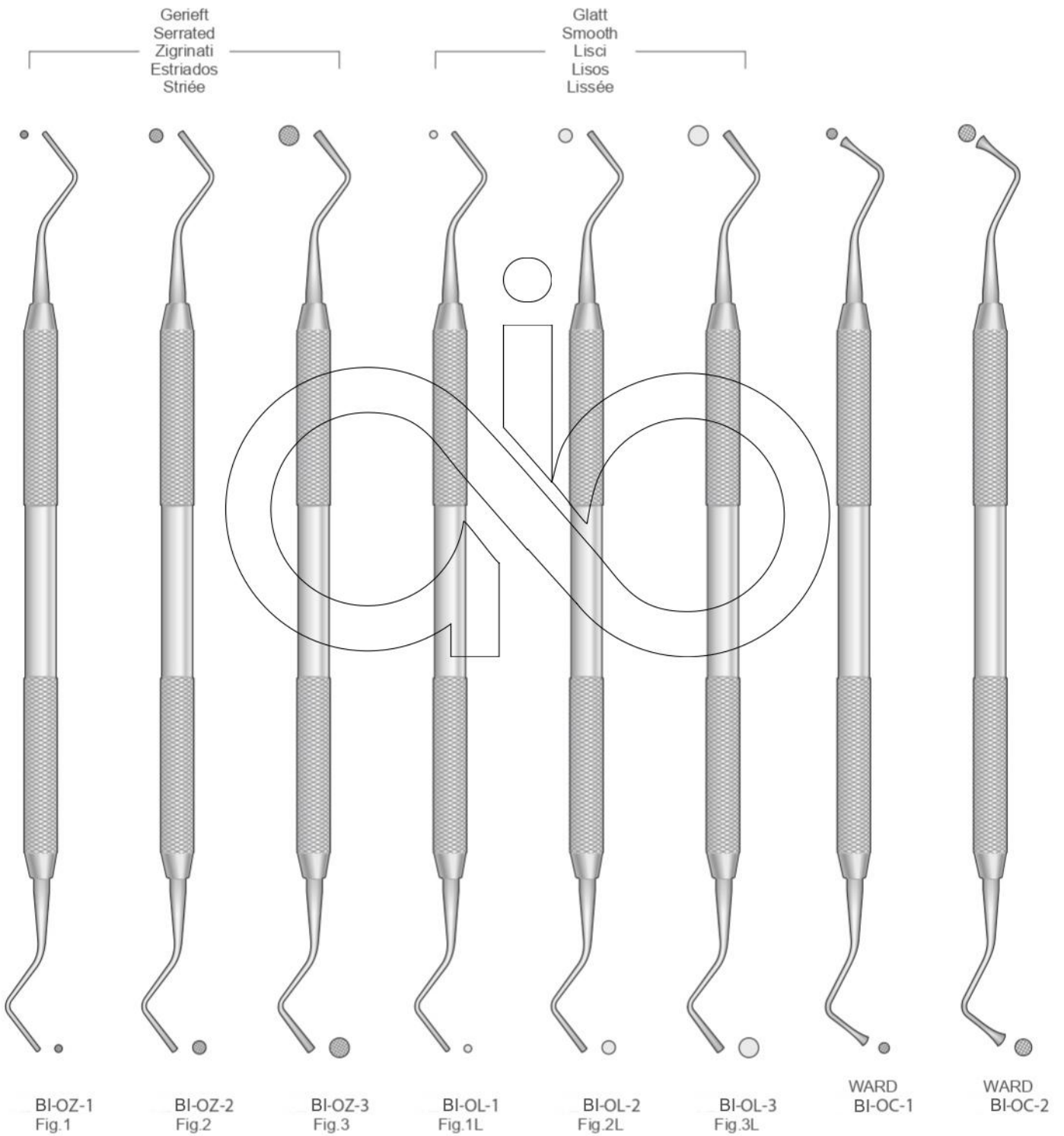
BI-CD-3  
Fig. W.A.C.D.

BI-CD-4  
Fig. 3/6

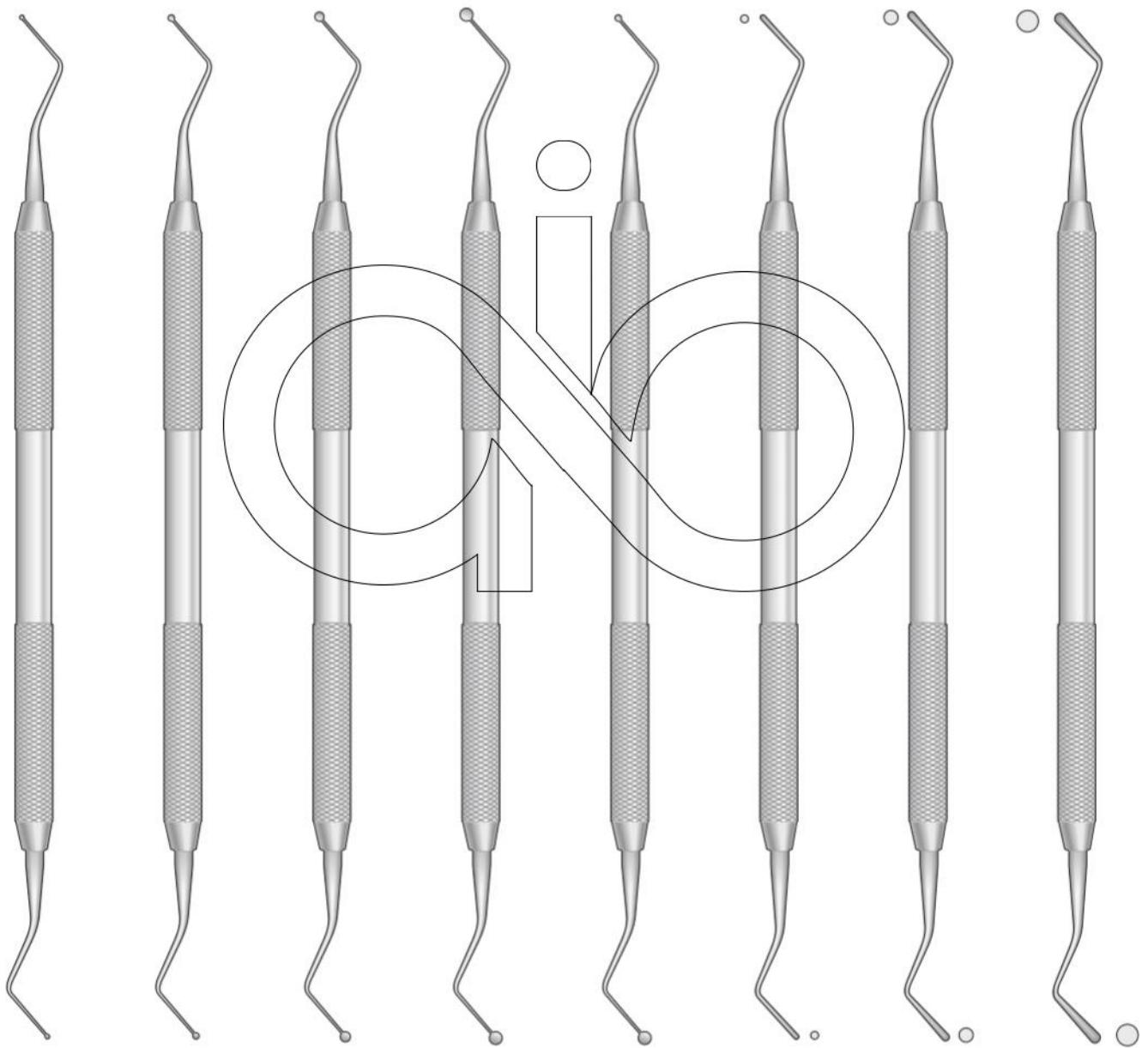
Füllungsinstrumente  
Filling Instruments  
Strumenti per otturazione  
Instrumentos para obturación  
Instruments pour obturation



Füllungsinstrumente  
 Filling Instruments  
 Strumenti per otturazione  
 Instrumentos para obturación  
 Instruments pour obturation



Füllungsinstrumente  
Filling Instruments  
Strumenti per otturazione  
Instrumentos para obturación  
Instruments pour obturation



BI-OP-1  
Fig.1

BI-OP-2  
Fig.2

BI-OP-3  
Fig.3

BI-OP-4  
Fig.4

BI-OP-5  
Fig.5

BI-OA-1  
Fig.1

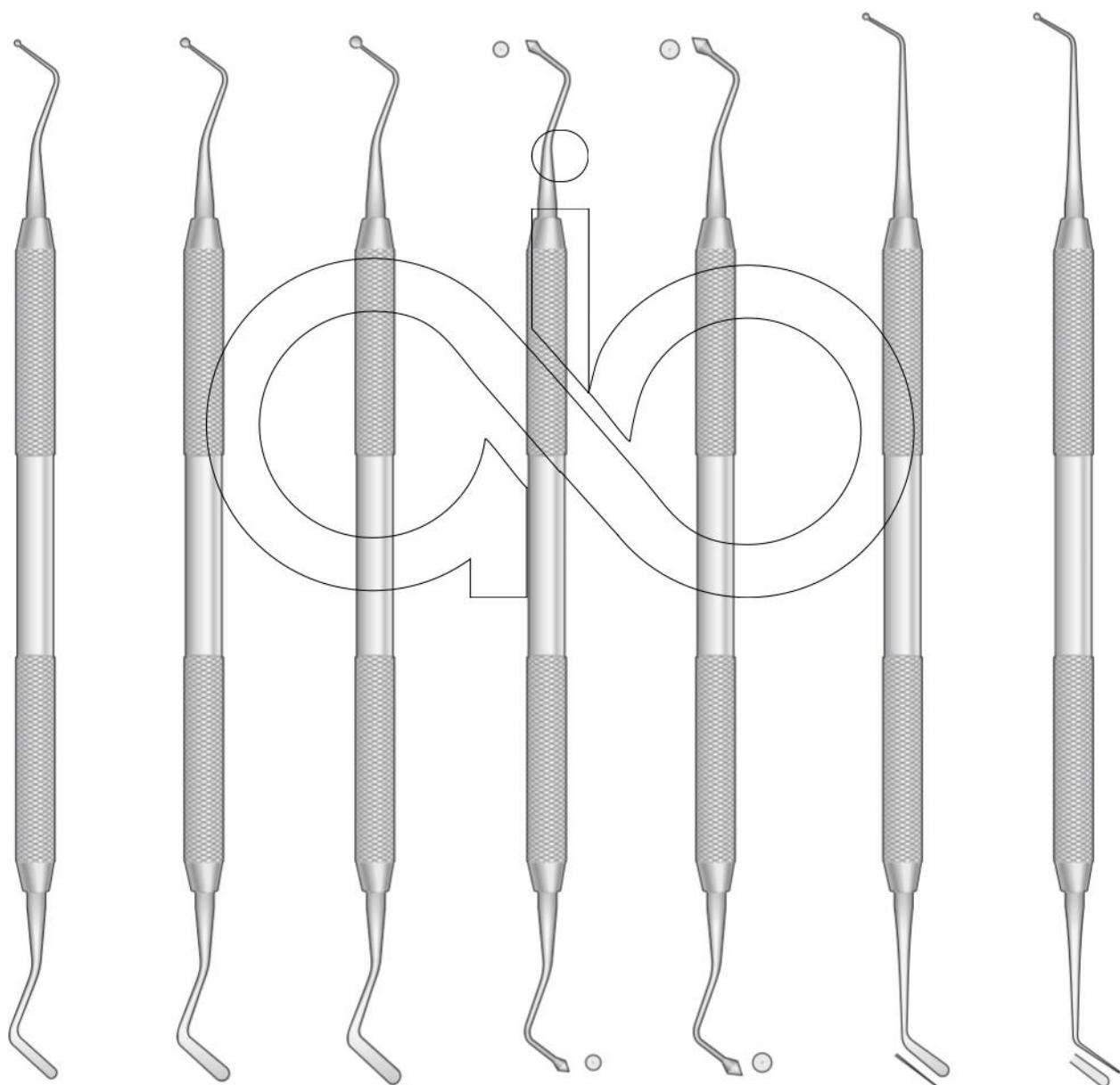
BI-OA-2  
Fig.2

BI-OA-3  
Fig.3





Füllungsinstrumente  
Filling Instruments  
Strumenti per otturazione  
Instrumentos para obturación  
Instruments pour obturation



BI-OX-1

BI-OX-2

BI-OX-3

WESTCOTT  
BI-OS-1

WESTCOTT  
BI-OS-2

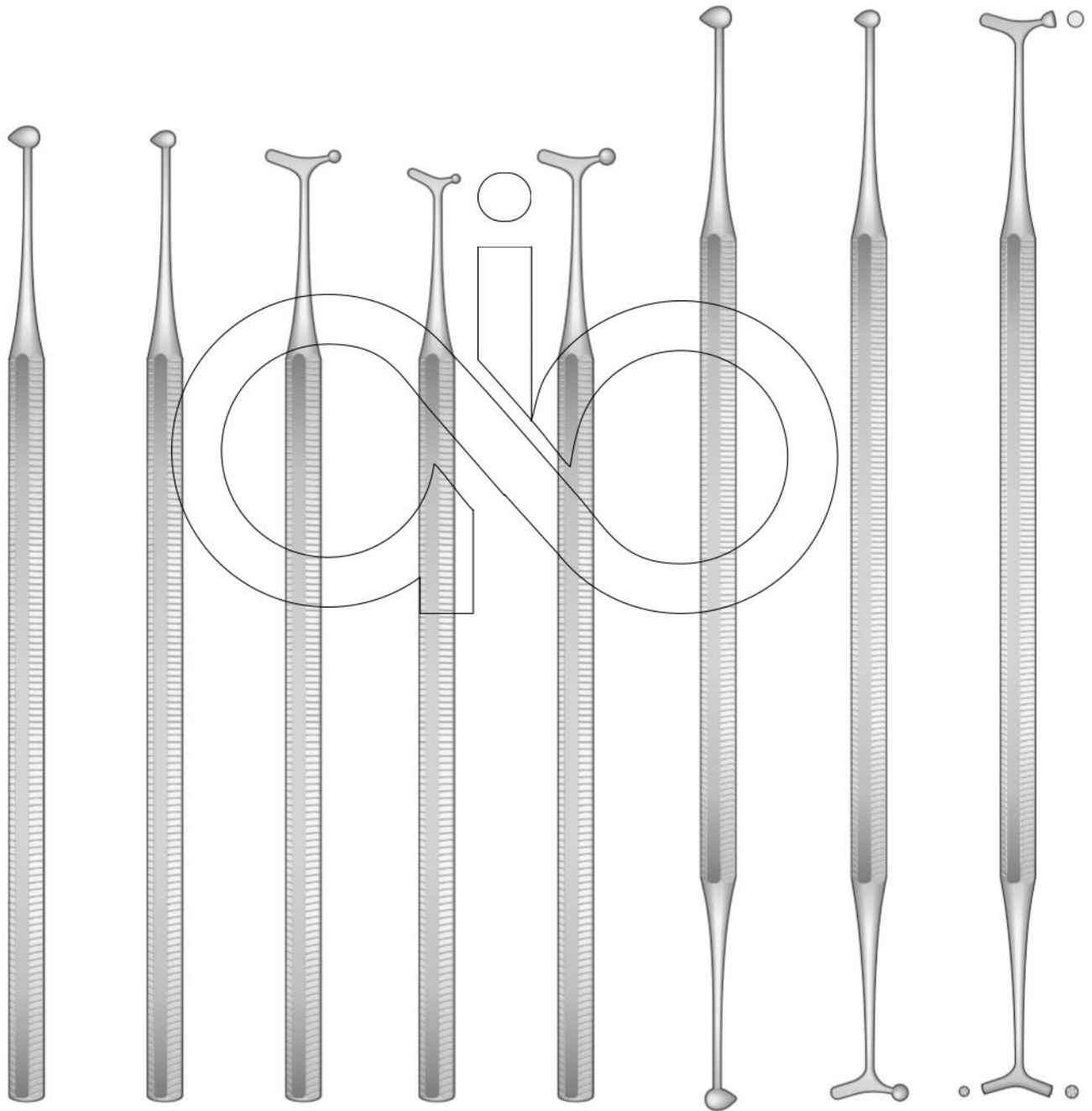
BI-OM-2

BI-ON-1



Restaurative Zahnheilkunde  
Dental Restoration  
Odontoiatria conservativa  
Odontología conservadora  
Odontologie conservatrice

Füllungsinstrumente  
Filling Instruments  
Strumenti per otturazione  
Instrumentos para obturación  
Instruments pour obturation



WHITE  
BI-B-3  
n°28

WHITE  
BI-B-4  
n°29

WHITE  
BI-B-32  
n°32

WHITE  
BI-B-33  
n°33

WHITE  
BI-B-34  
n°34

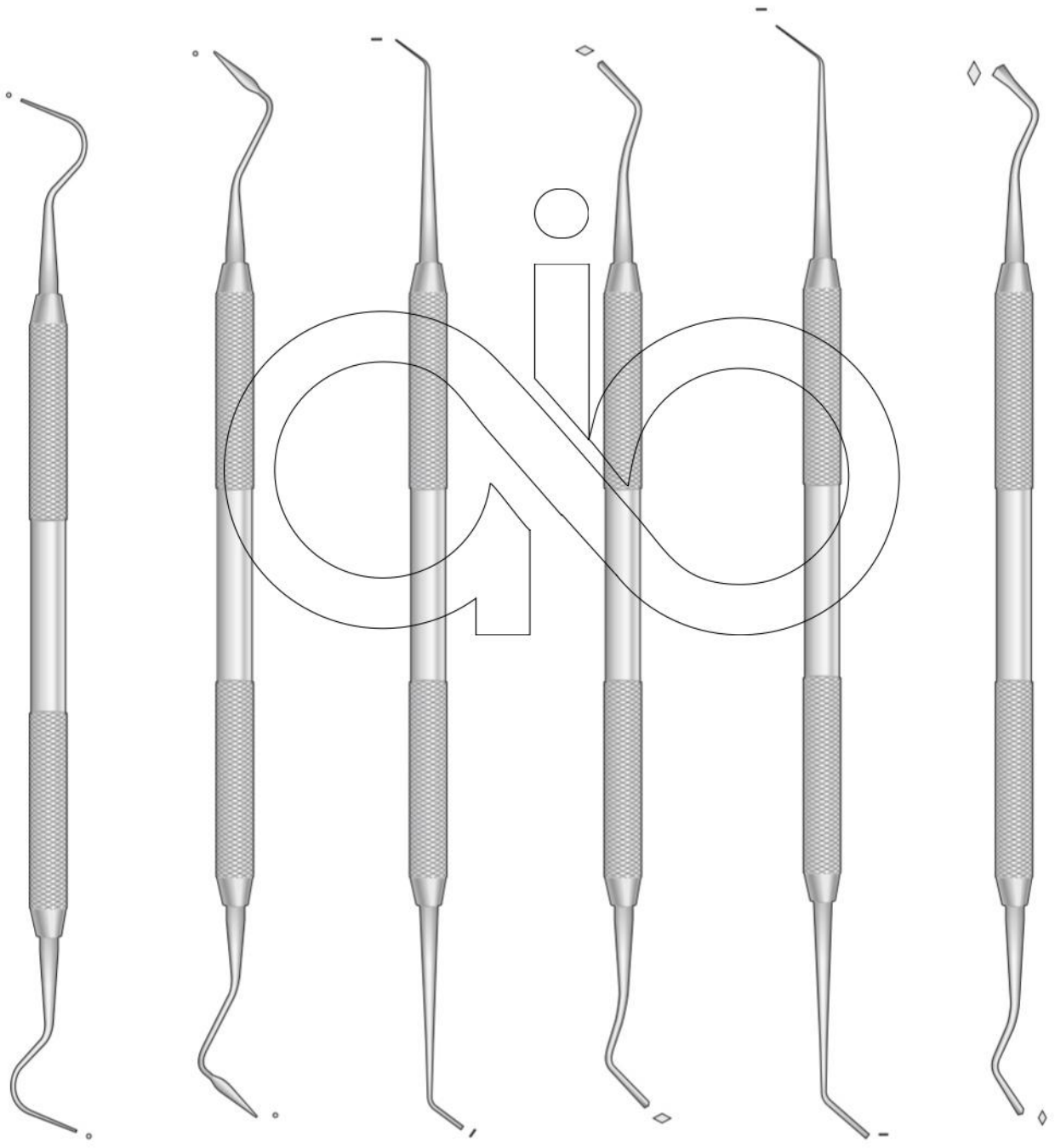
WHITE  
BI-B-28/29  
Doppio

WHITE  
BI-B-31/32  
Doppio

BENNET  
BI-B-35  
170 mm

Füllungsinstrumente  
Filling Instruments  
Strumenti per otturazione  
Instrumentos para obturación  
Instruments pour obturation

MARKLEY PLUGGERS  
Amalgam Instrumente  
Amalgam Instruments  
Strumenti per amalgama  
Instrumentos para amalgama  
Instruments à amalgame



BI-PM-1  
Fig.1M

BI-PM-2  
Fig.2M

BI-PM-3  
Fig.3M

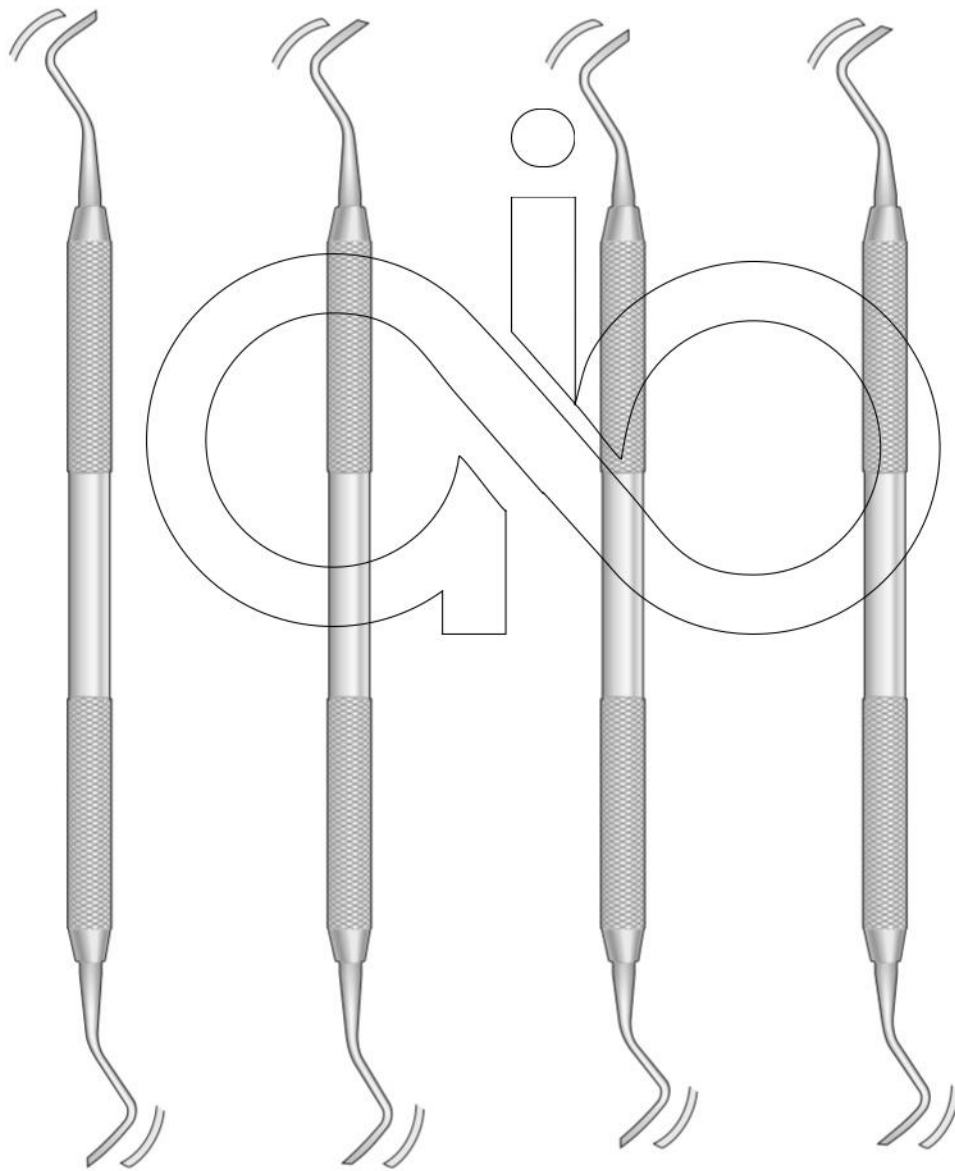
BI-PM-4  
Fig.4M

BI-PM-5  
Fig.5M

BI-PM-6  
Fig.6M



Schmelzinstrumente  
Enamel Instruments  
Strumenti da smalto  
Instrumentos para esmalte  
Instruments à émail



BLACK  
BI-TS-1  
Fig.26

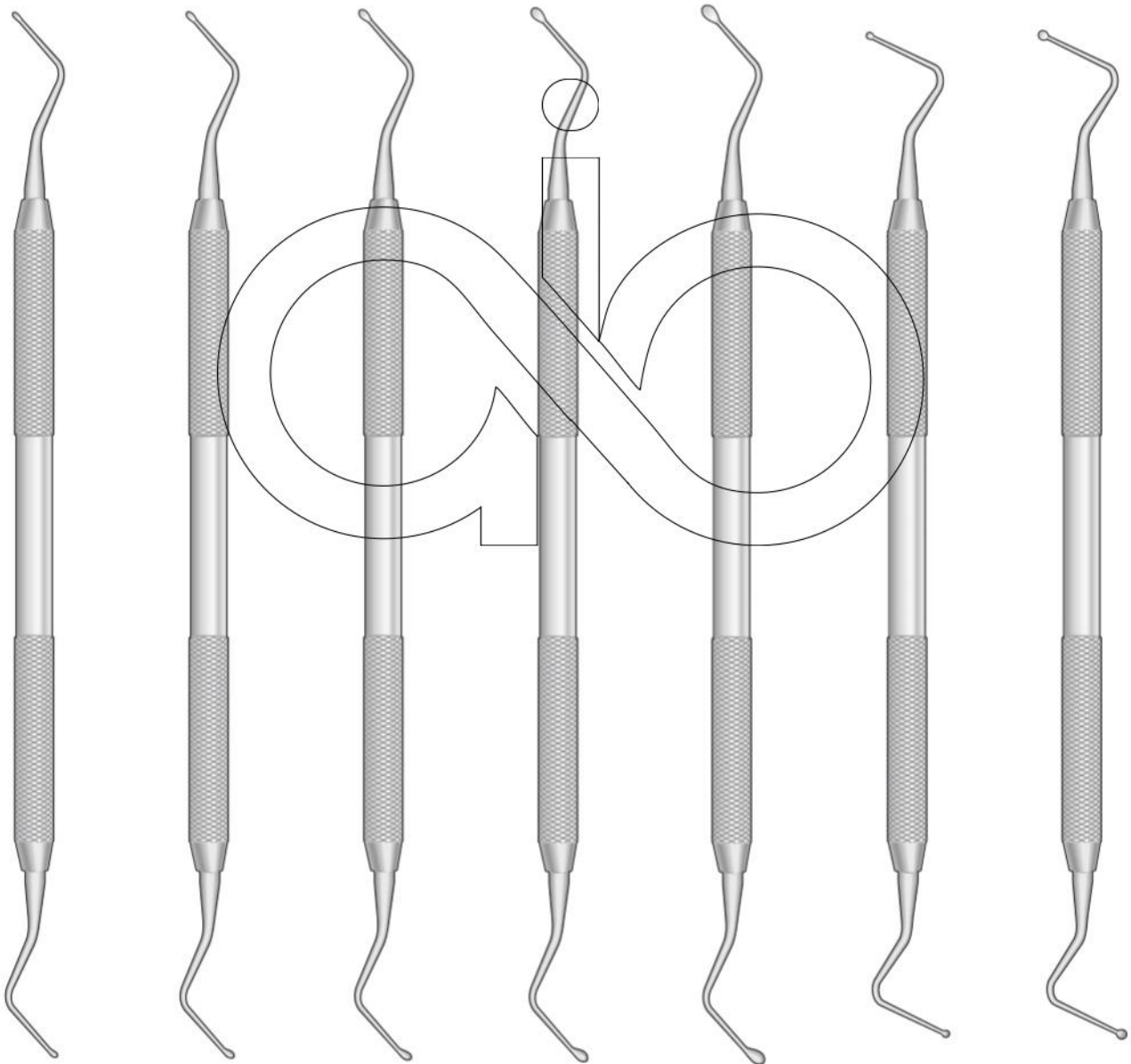
BLACK  
BI-TS-2  
Fig.27

BLACK  
BI-TS-3  
Fig.28

BLACK  
BI-TS-4  
Fig.29



Excavatoren  
Excavators  
Escavatori  
Excavadores  
Excavateurs



BI-E-0  
Fig.0

BI-E-1  
Fig.1

BI-E-2  
Fig.2

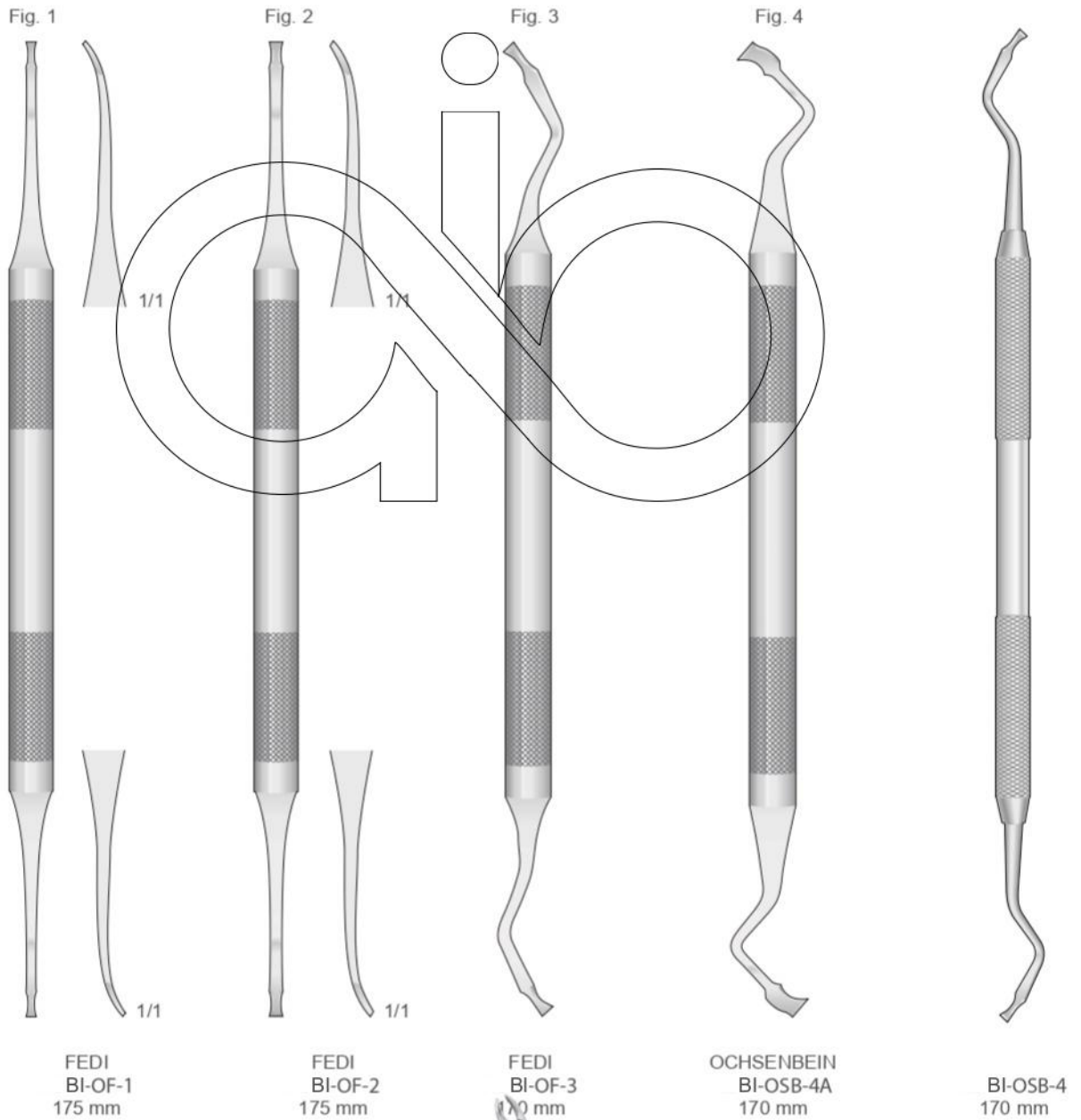
BI-E-3  
Fig.3

BI-E-4  
Fig.4

BI-EC-1  
Fig.1

BI-EC-2  
Fig.2

Meißel für Parodontologie  
Periodontal Chisels  
Scalpelli parodontali  
Cinceles periodontales  
Burins parodontaux



Meißel für Parodontologie  
 Periodontal Chisels  
 Scalpelli parodontali  
 Cinceles periodontales  
 Burins parodontaux

Bevel IN  
 Fig.1

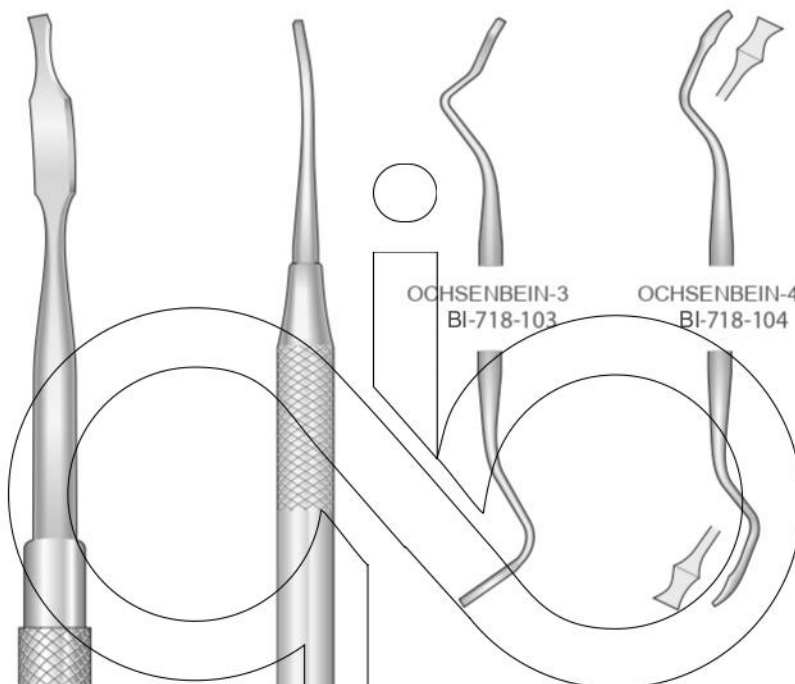


OGHSENBEIN-1  
 BI-OSB-1  
 165 mm

Bevel OUT  
 Fig.2



OGHSENBEIN-2  
 BI-OSB-2  
 165 mm



TG CHISELS  
 BI-718-113

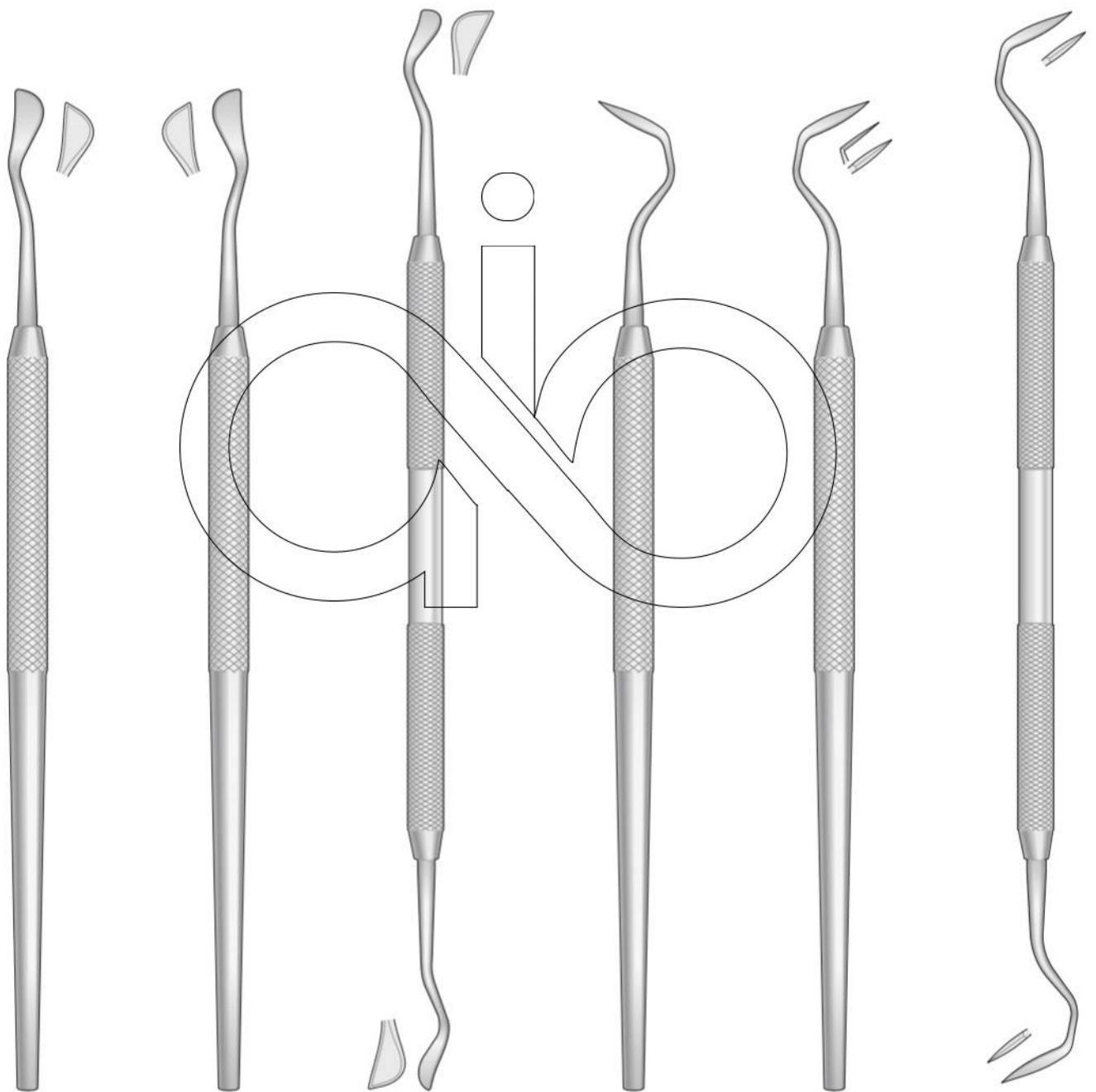
OGHSENBEIN-3  
 BI-718-103

OGHSENBEIN-4  
 BI-718-104

RHODES BACK ACTION  
 BI-718-107



Parodontalmesser  
Gingivectomy Knives  
Bisturi per gengivectomia  
Bisturías para la gengivectomía  
Bistouris pour la gengivectomie



KIRKLAND  
BI-KKD-1  
Fig.15K

KIRKLAND  
BI-KKD-2  
Fig.16K

KIRKLAND  
BI-KKD-4  
Fig.15K - Fig.16K

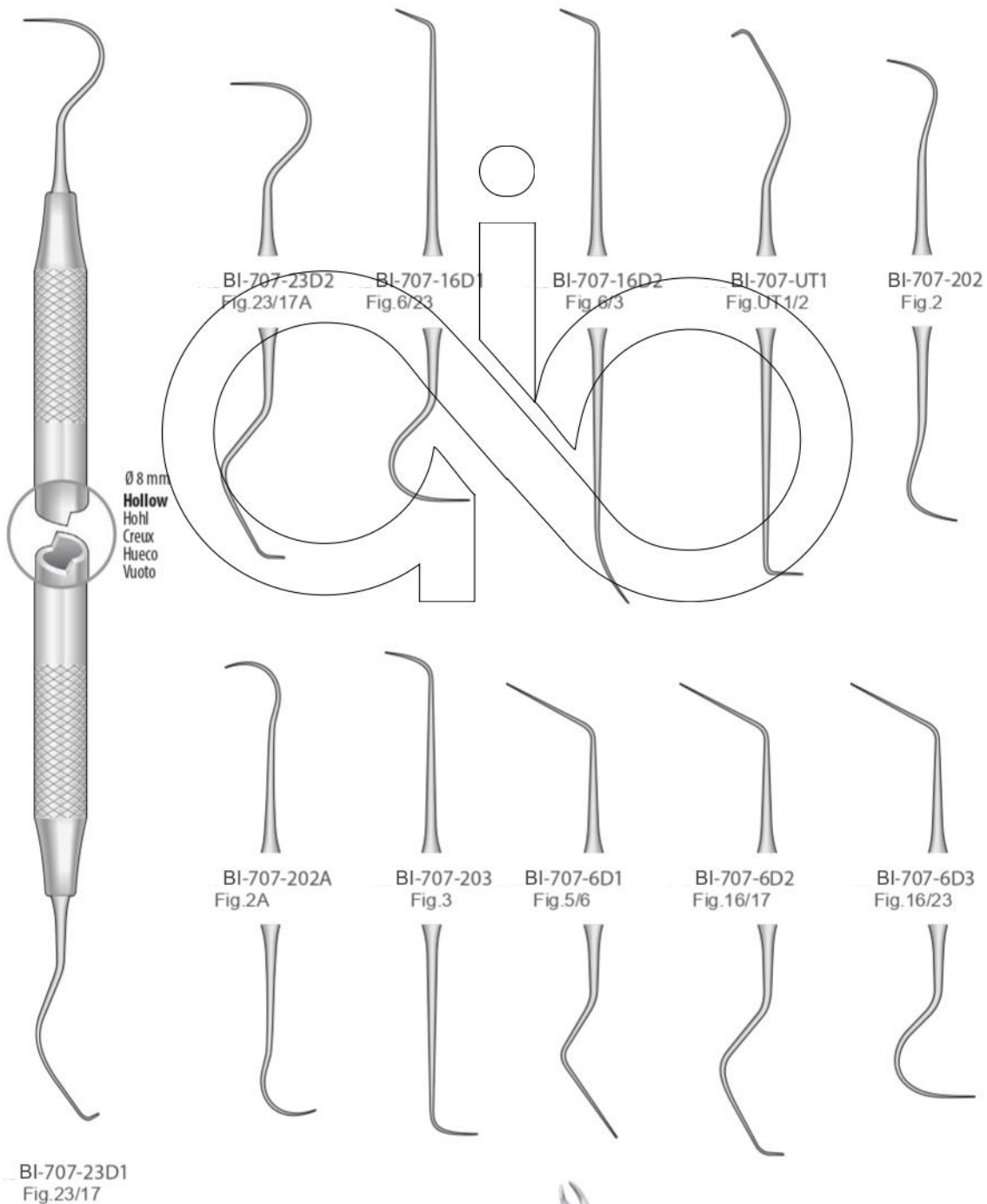
ORBAN  
BI-OBN-1  
Fig.1

ORBAN  
BI-OBN-2  
Fig.2

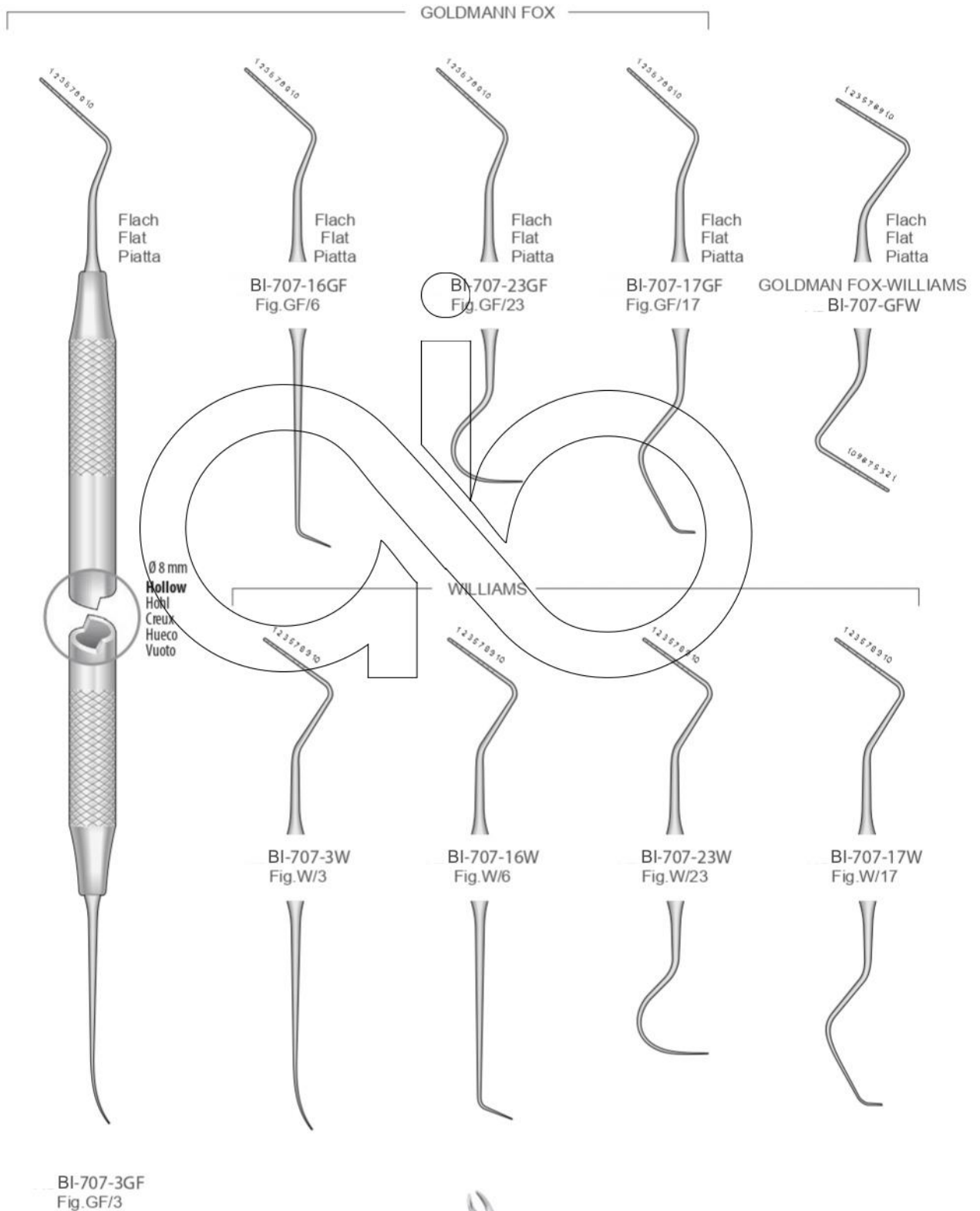
ORBAN  
BI-OBN-4  
Fig.1 - Fig.2



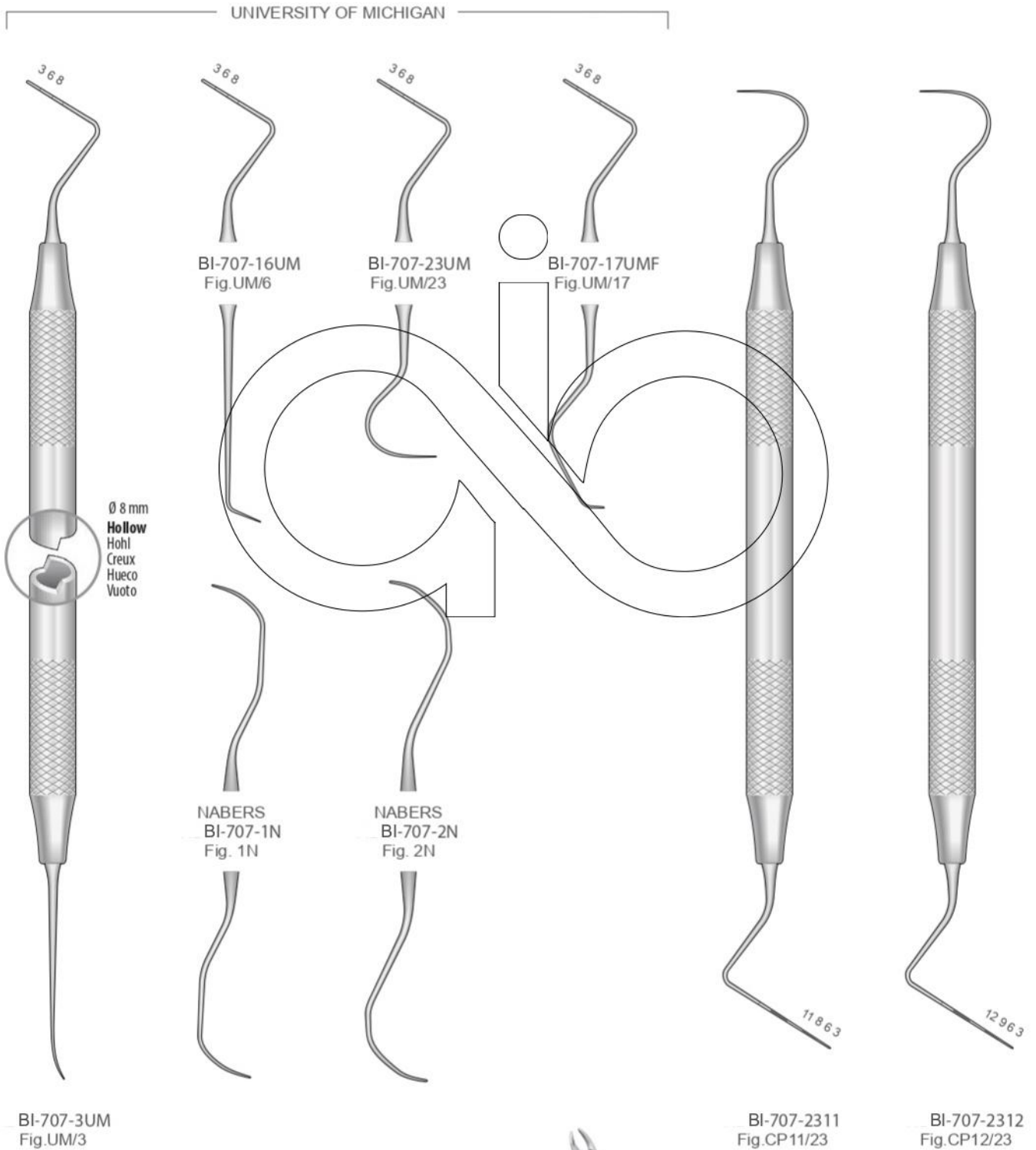
Doppelendiger Zahnsonden  
 Double-ended Explorer  
 Sonda falce doppia  
 Sonda exploradora doble  
 Sonde exploratrice double



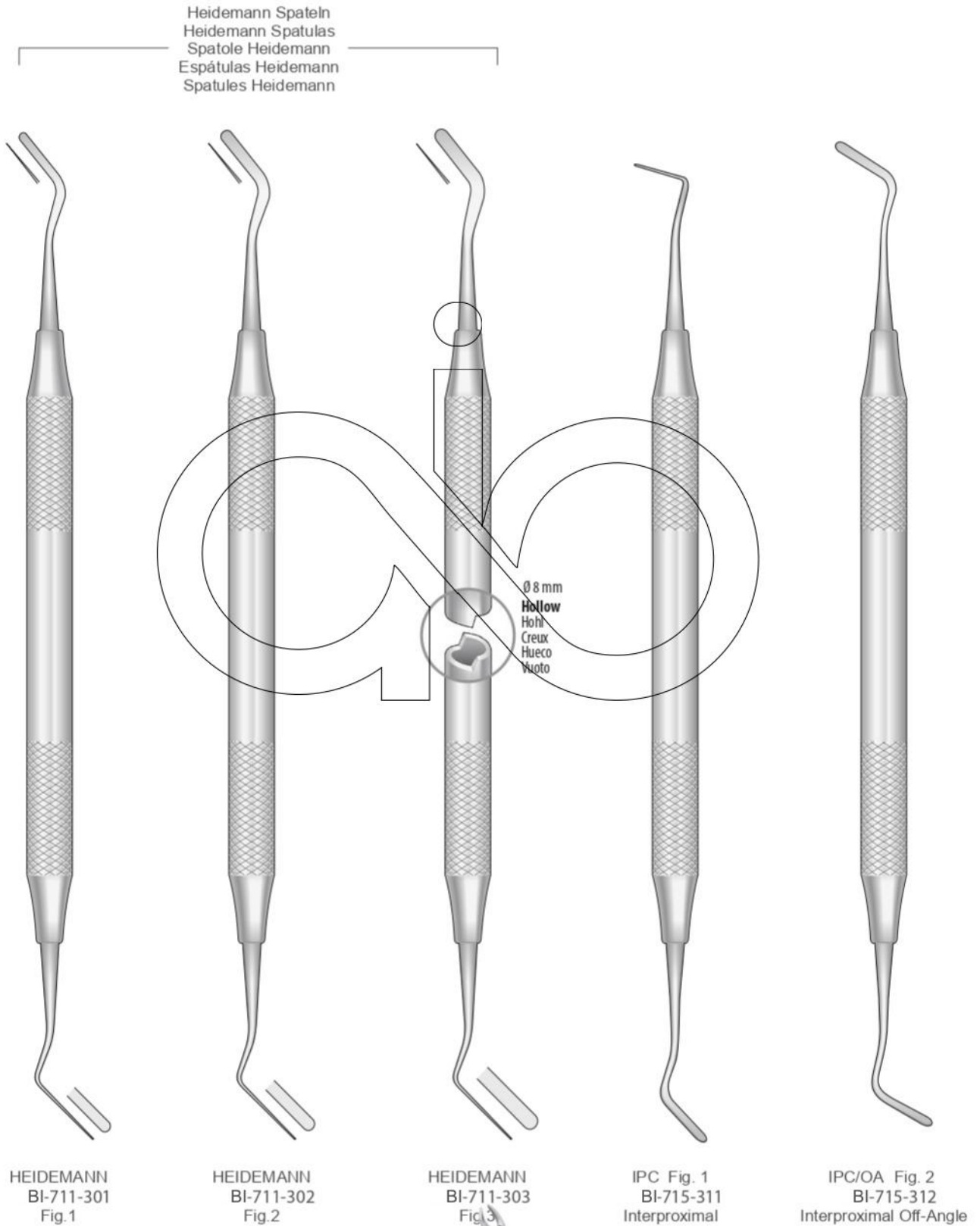
Doppelendiger Parodontometer  
Double-ended Periodontal Probes  
Sondes parodontales doubles  
Sonde parodontali doppie  
Sondas parodontales doubles



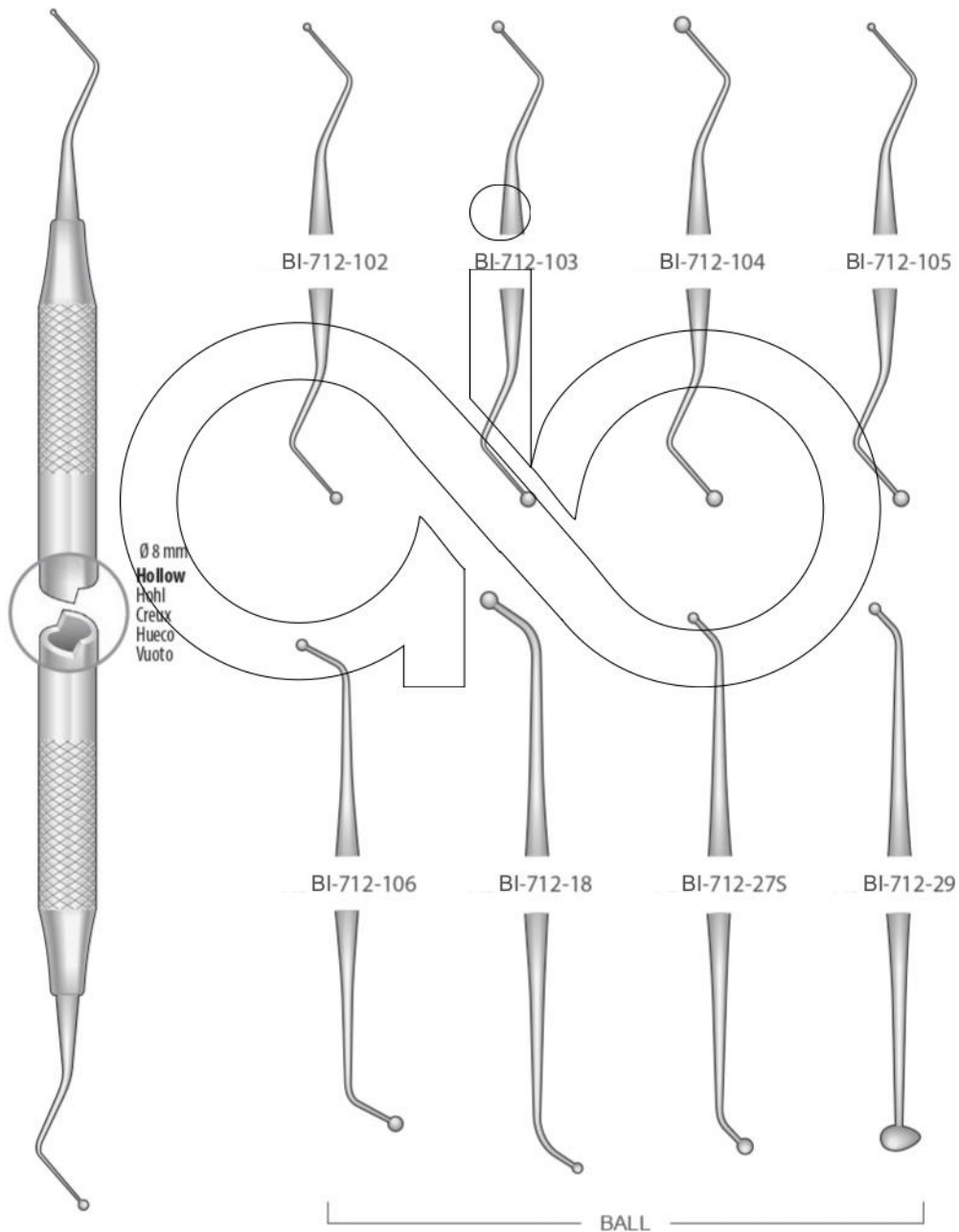
Doppelendiger Parodontometer  
 Double-ended Periodontal Probes  
 Sondes parodontales doubles  
 Sonde parodontali doppie  
 Sondas parodontales doubles



Spateln - Füllungsinstrumente  
 Spatulas - Filling Instruments  
 Spatole - Strumenti per otturazione  
 Espátulas - Instrumentos para obturación  
 Spatules - Instruments pour obturation

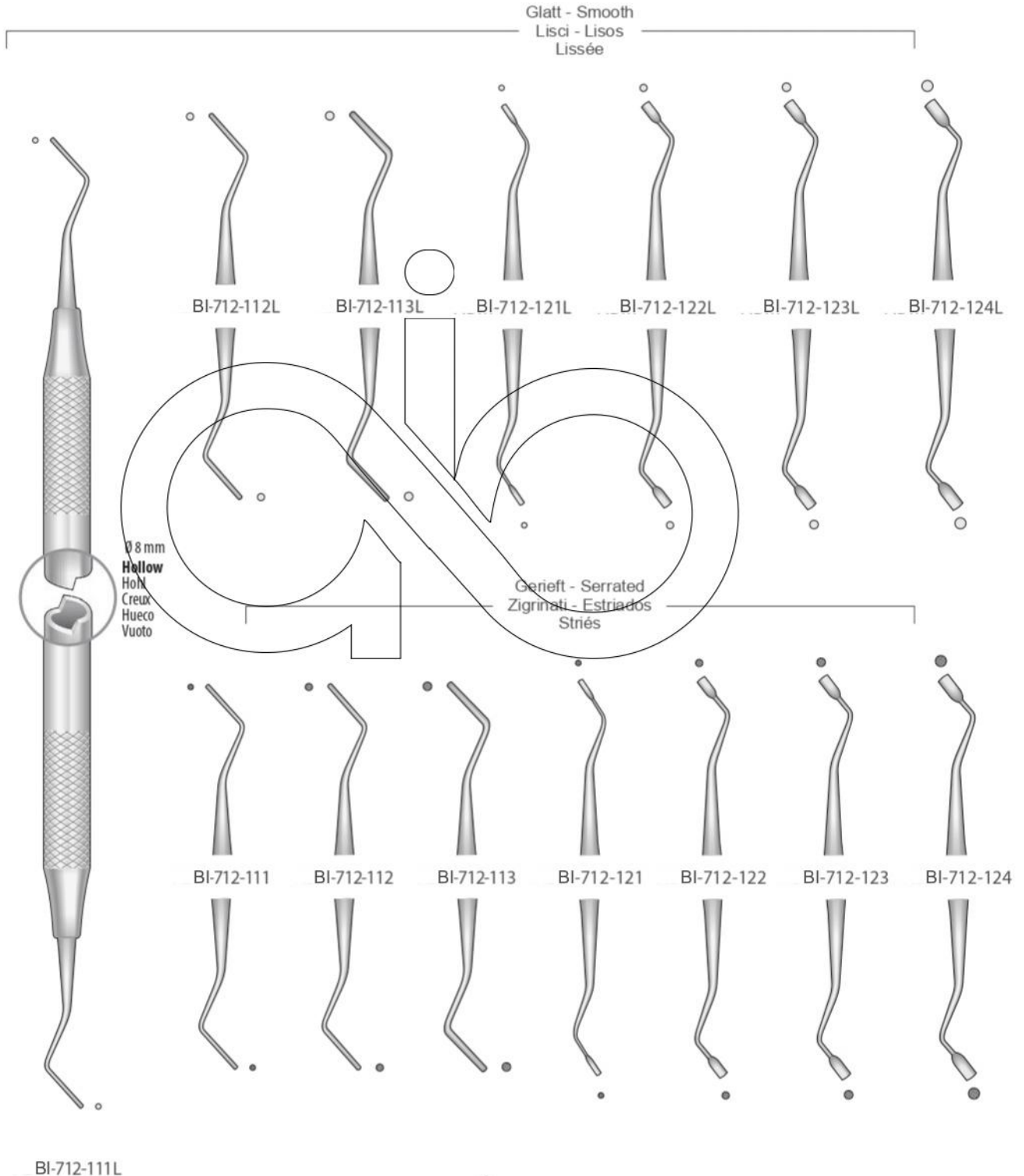


Füllungsinstrumente  
Filling Instruments  
Strumenti per otturazione  
Instrumentos para obturación  
Instruments pour obturation

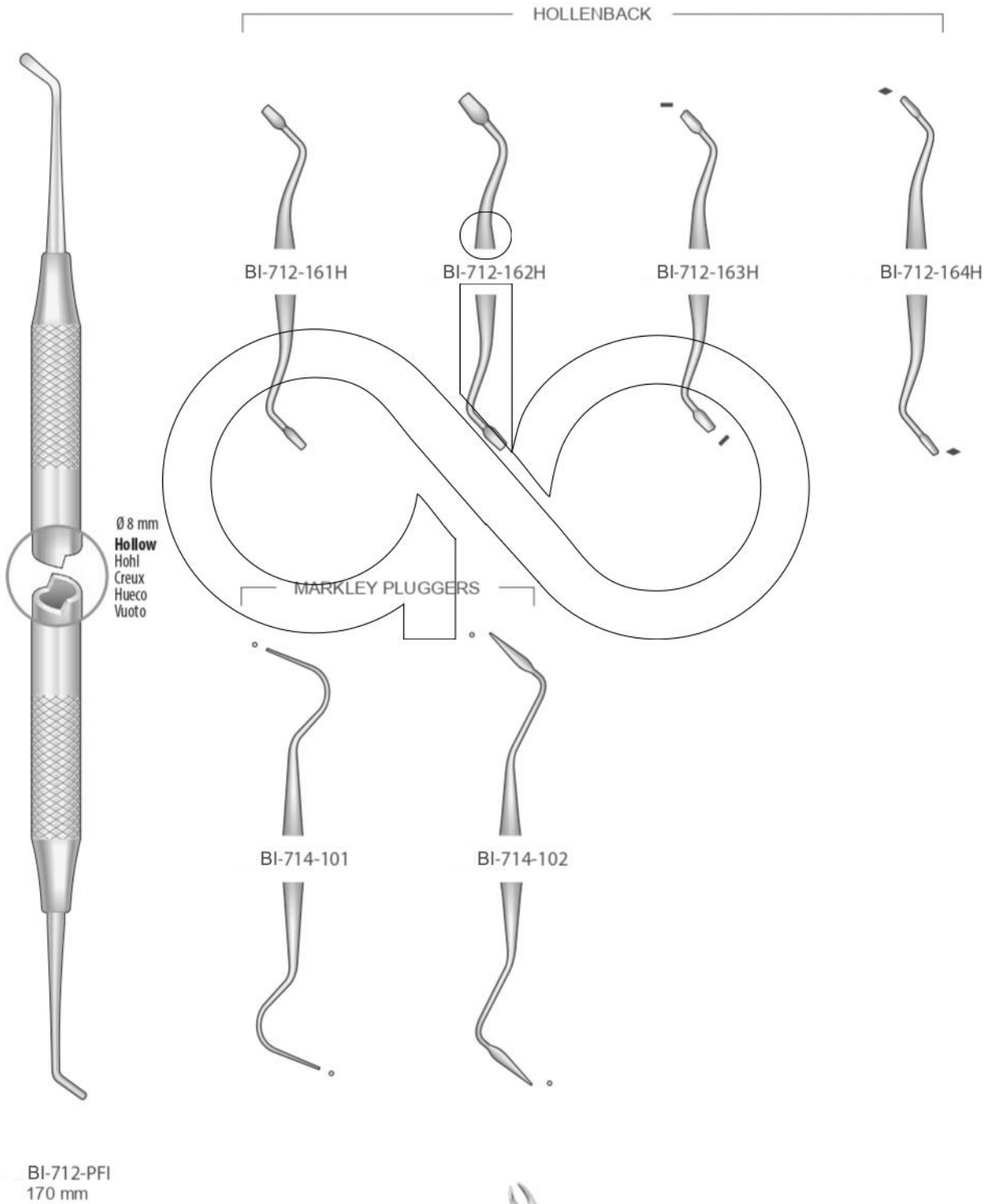


BI-712-101

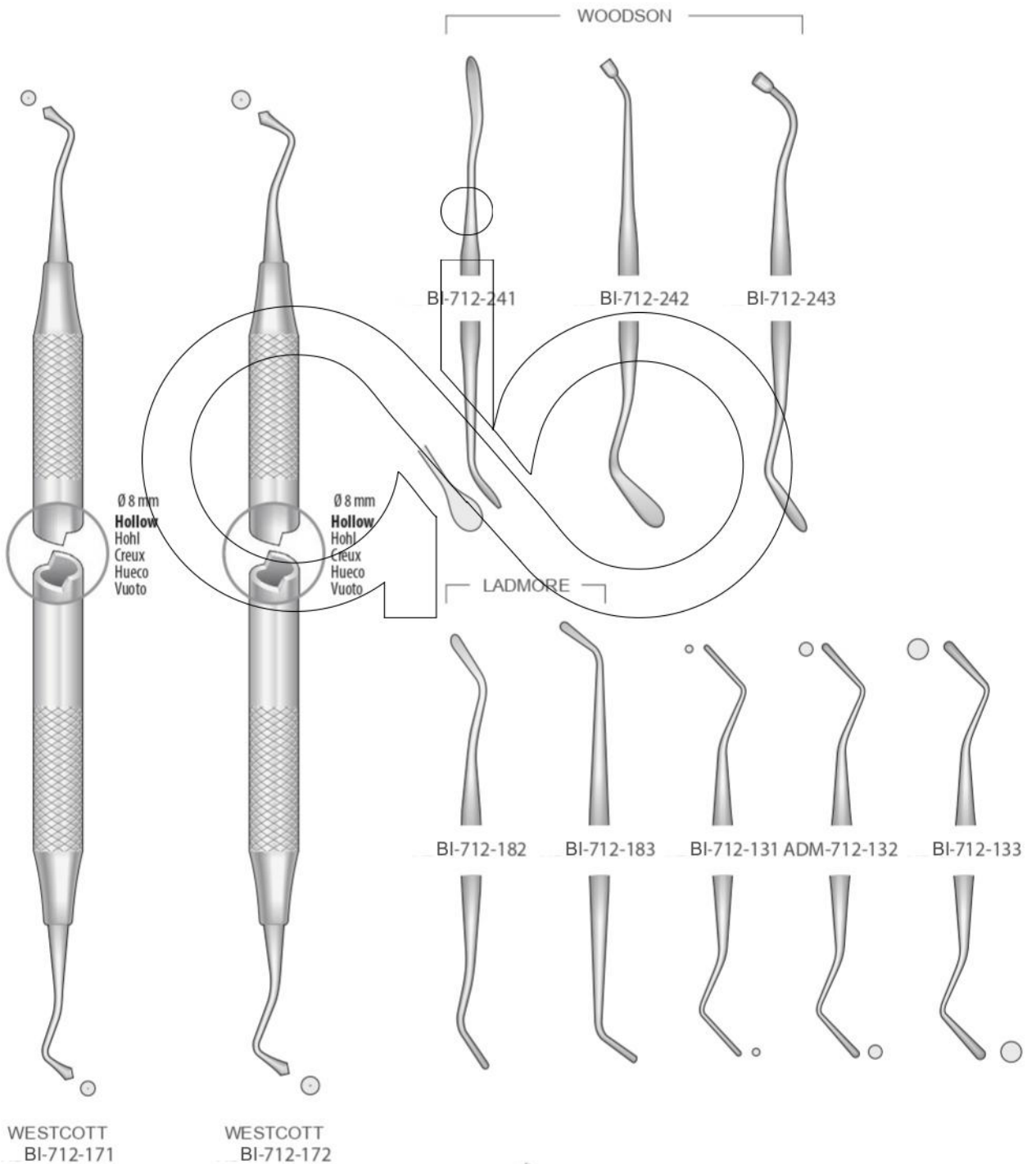
Füllungsinstrumente  
Filling Instruments  
Strumenti per otturazione  
Instrumentos para obturación  
Instruments pour obturation



Füllungsinstrumente  
Filling Instruments  
Strumenti per otturazione  
Instrumentos para obturación  
Instruments pour obturation

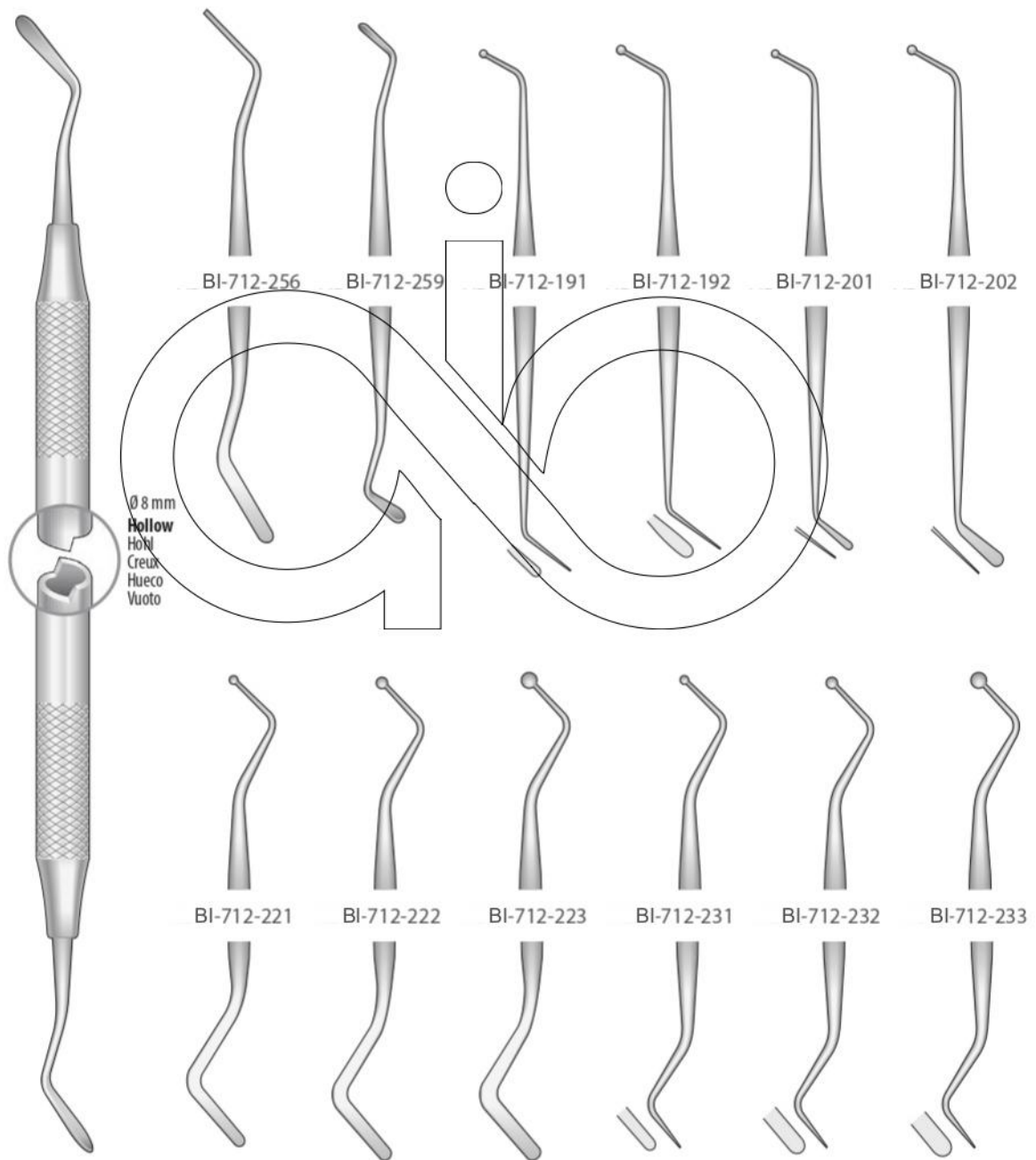


Füllungsinstrumente  
Filling Instruments  
Strumenti per otturazione  
Instrumentos para obturación  
Instruments pour obturation

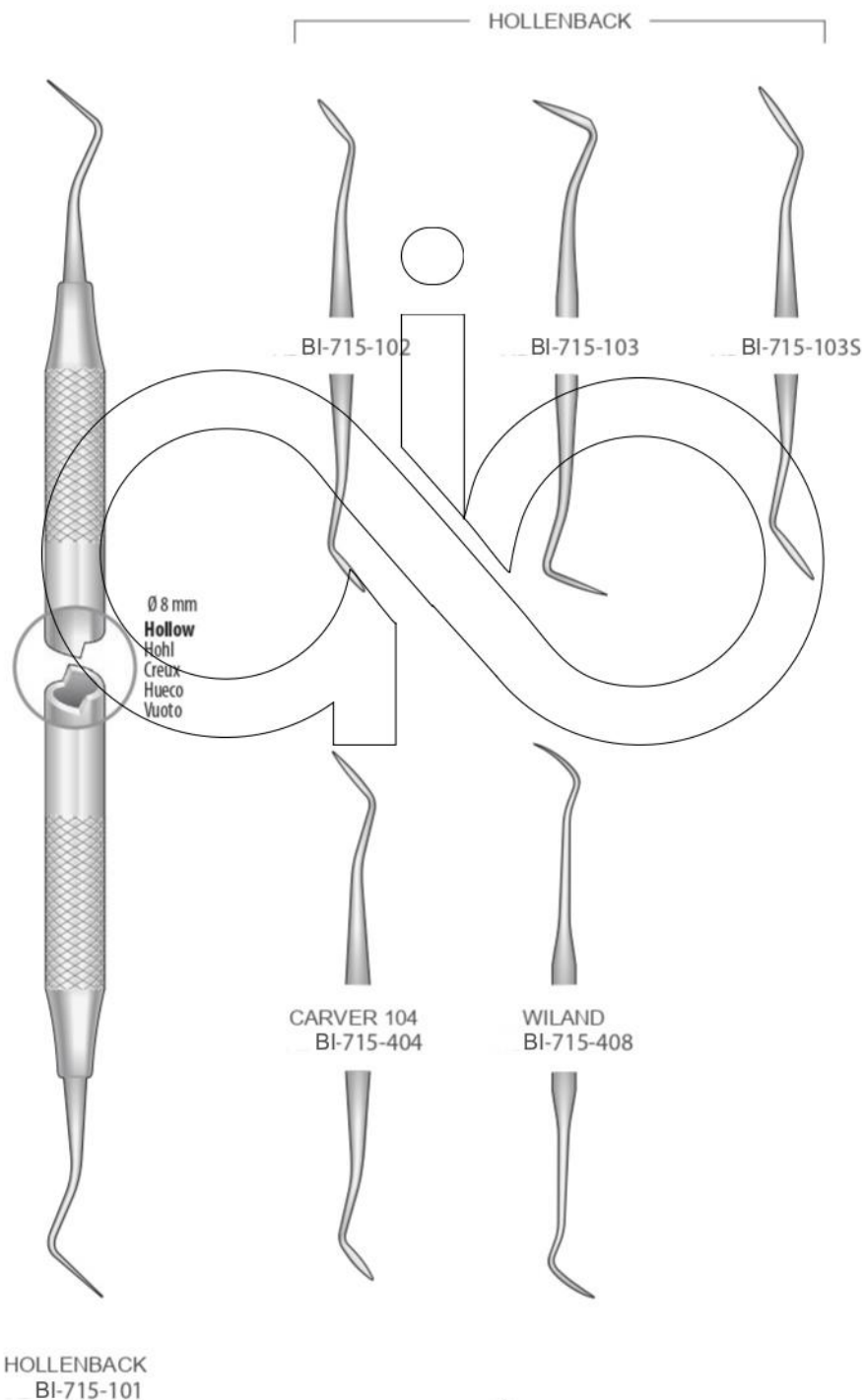




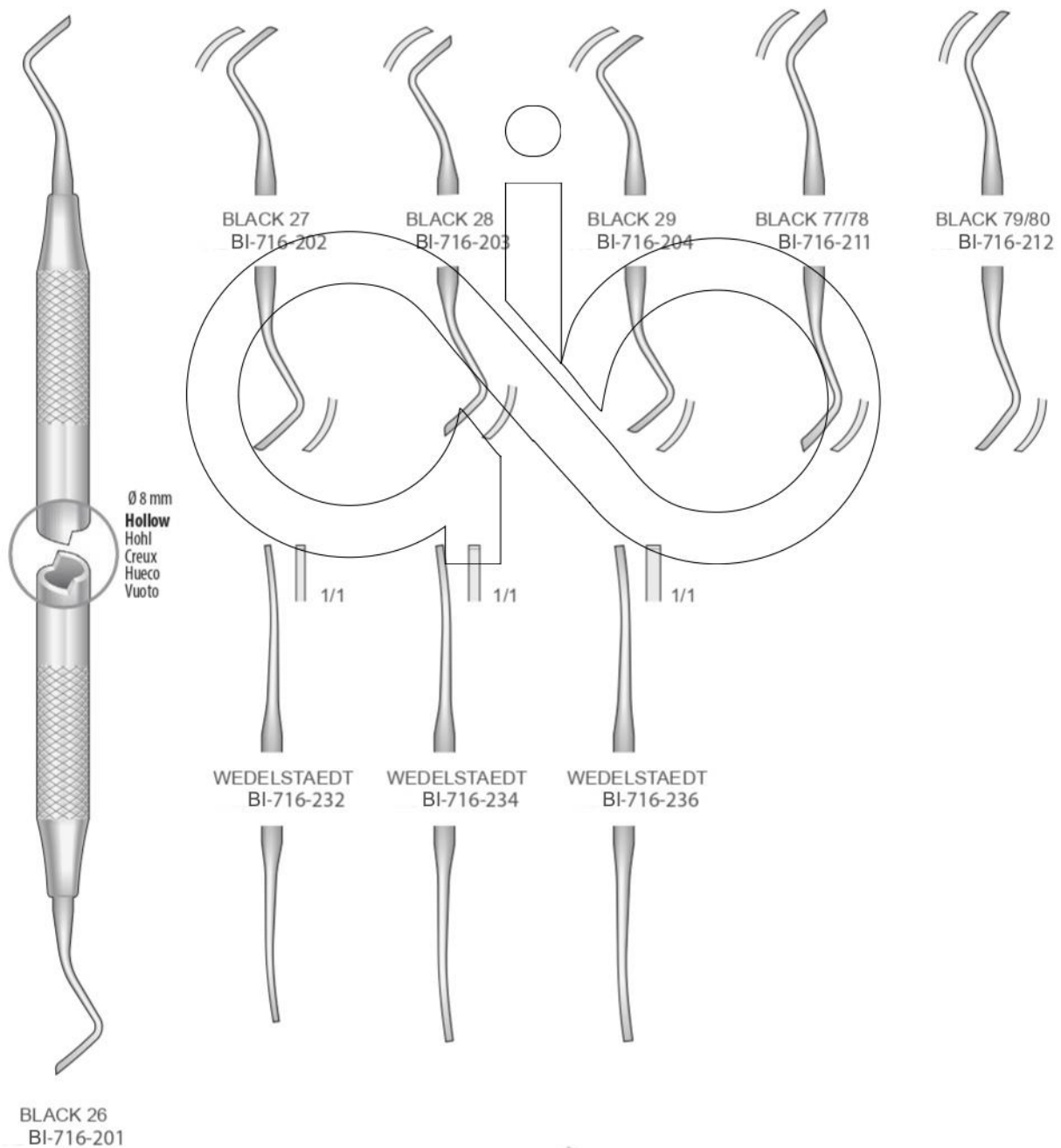
Füllungsinstrumente  
 Filling Instruments  
 Strumenti per otturazione  
 Instrumentos para obturación  
 Instruments pour obturation



Amalgam Instrumente  
 Amalgam carvers  
 Strumenti per modellare otturazioni  
 Instrumentos para modelar las obturaciones  
 Instruments à modeler les obturations



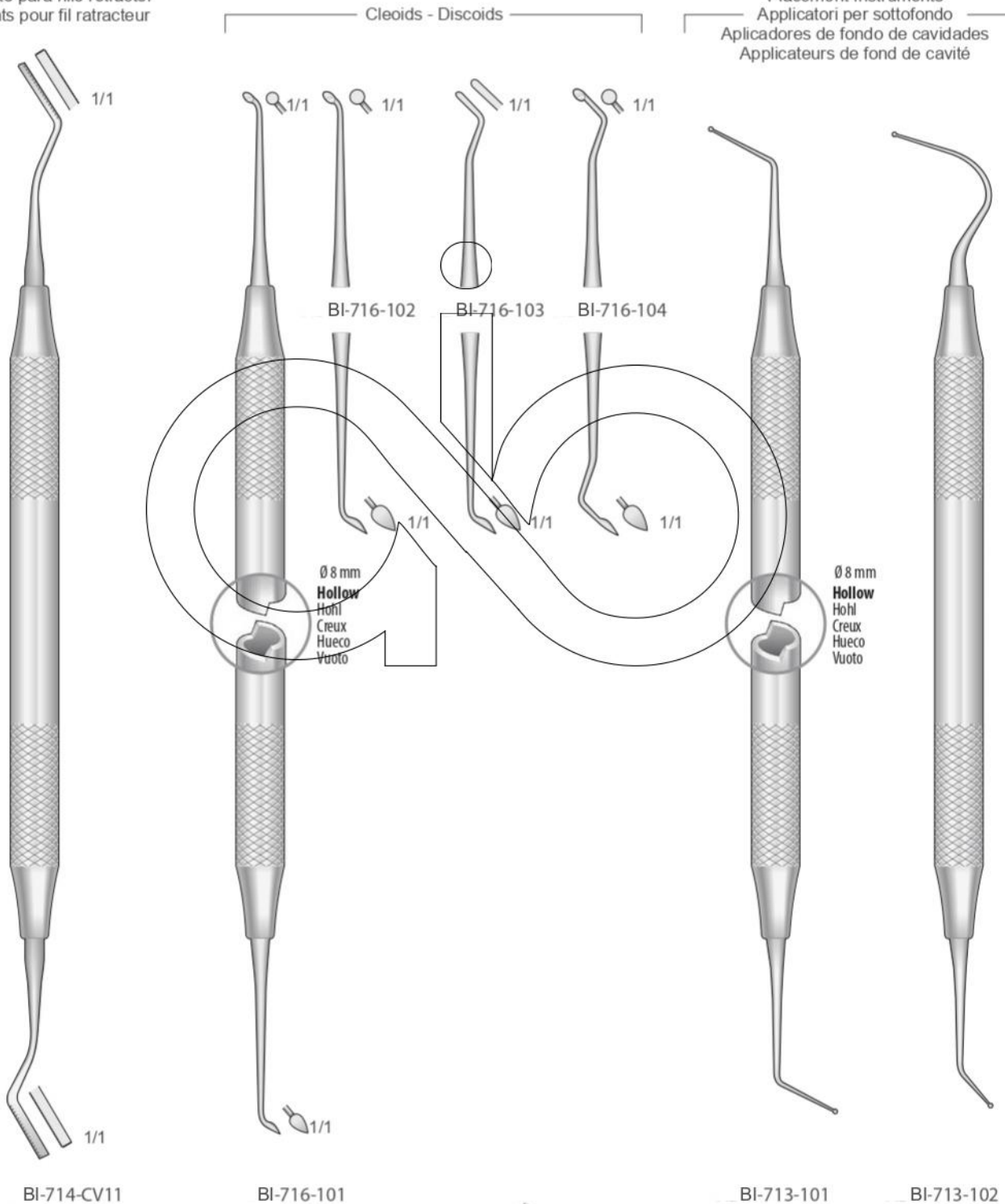
Schmelzinstrumente  
Cavity preparation instruments  
Strumenti da smalto  
Instrumentos para esmalte  
Instruments à émail



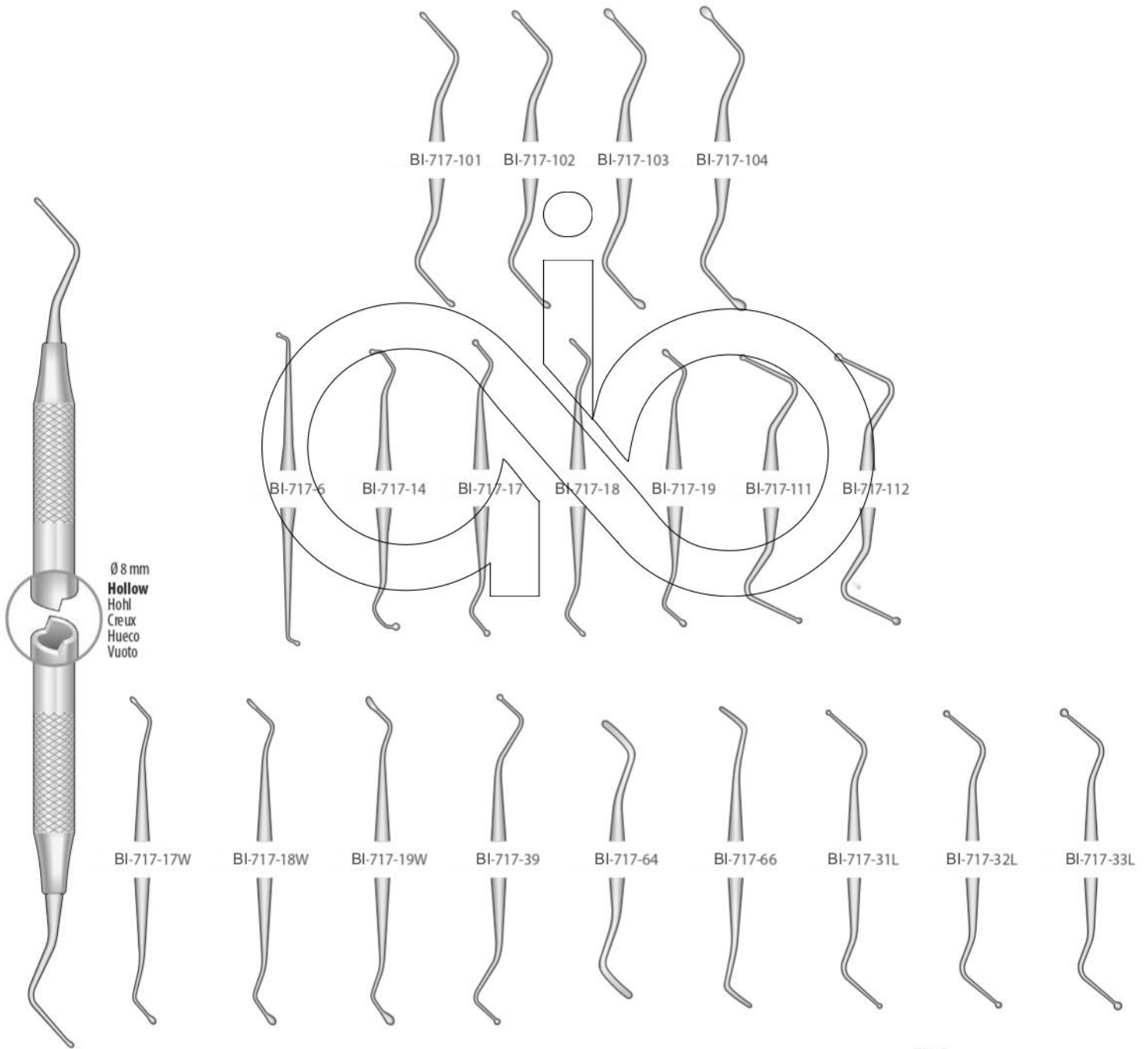
Amalgam Instrumente  
Amalgam carvers  
Strumenti per modellare otturazioni  
Instrumentos para modelar las obturaciones  
Instruments à modeler les obturations

Instrument für Drahrückzug  
Instrument for Retractor wire  
Strumento per filo retrattore  
Instrumento para hilo retractor  
Instruments pour fil ractreur

Dykal Applikator  
Placement Instruments  
Applicatori per sottofondo  
Aplicadores de fondo de cavidades  
Applicateurs de fond de cavité



Excavatoren  
Excavators  
Escavatori  
Excavadores  
Excavateurs

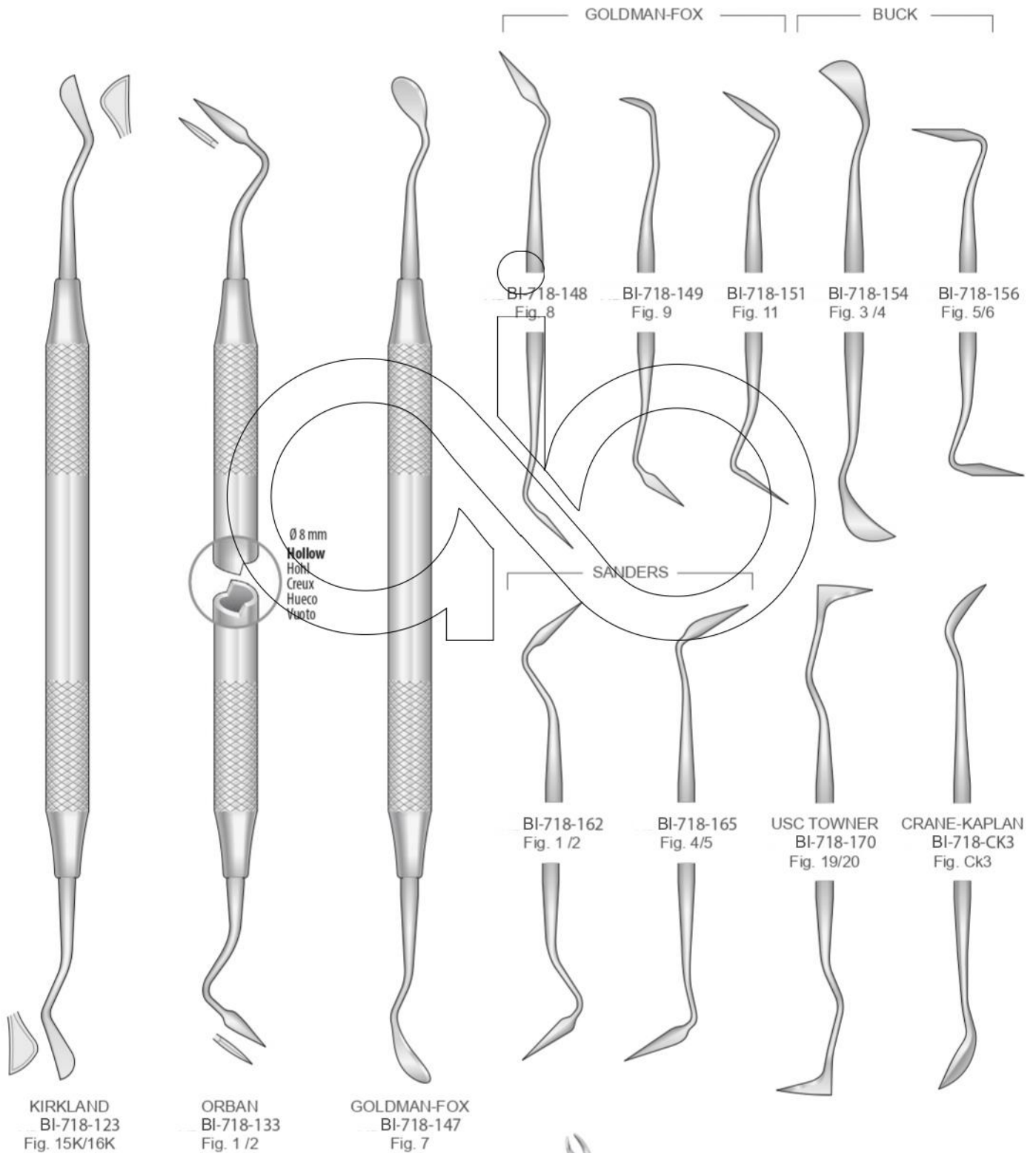


BI-717-100

Fig. 2

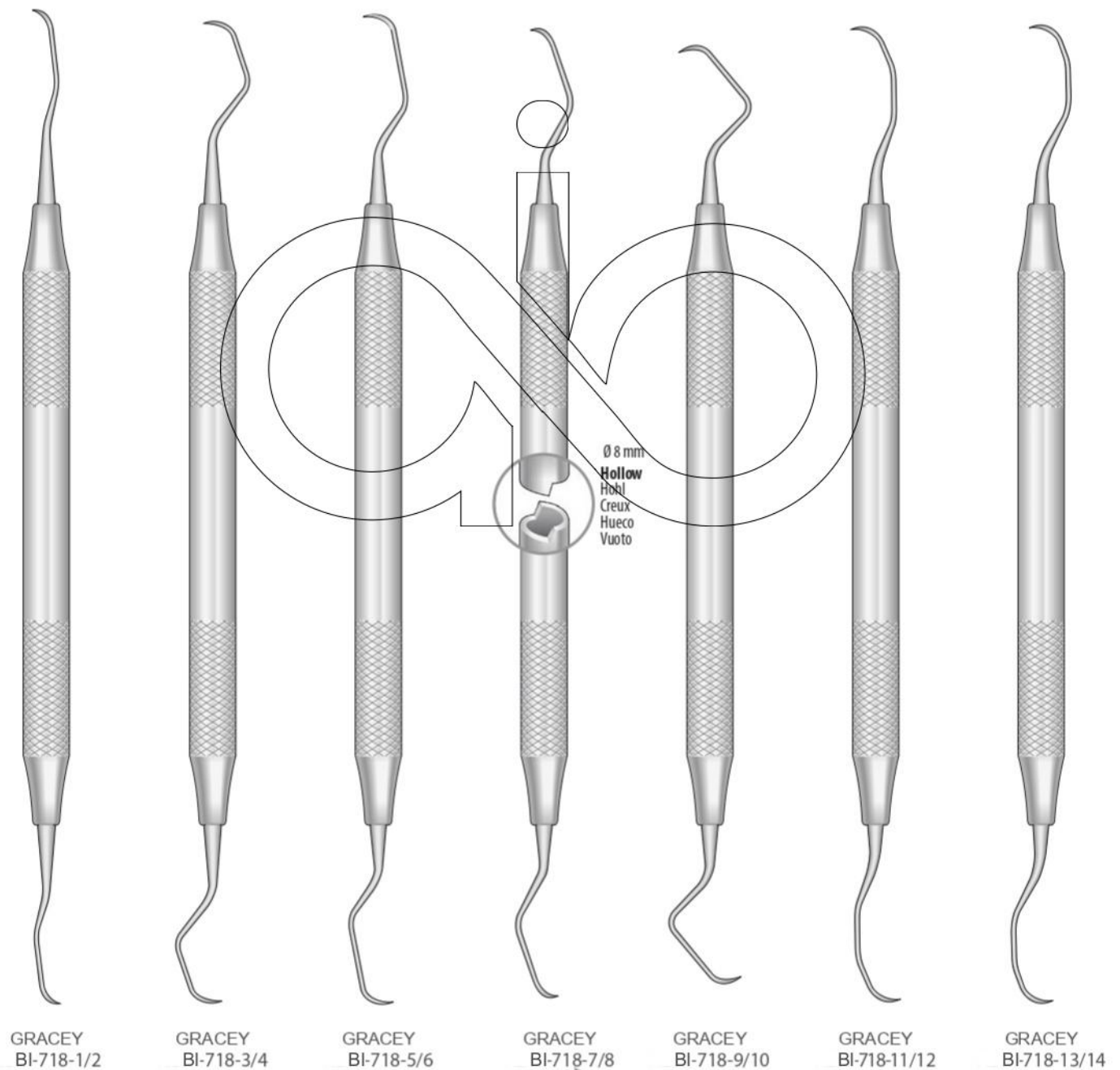


Parodontalmesser  
Gingivectomy knives  
Bisturi per gengivectomia  
Bisturías para la gingivectomía  
Bistouris pour la gingivectomie



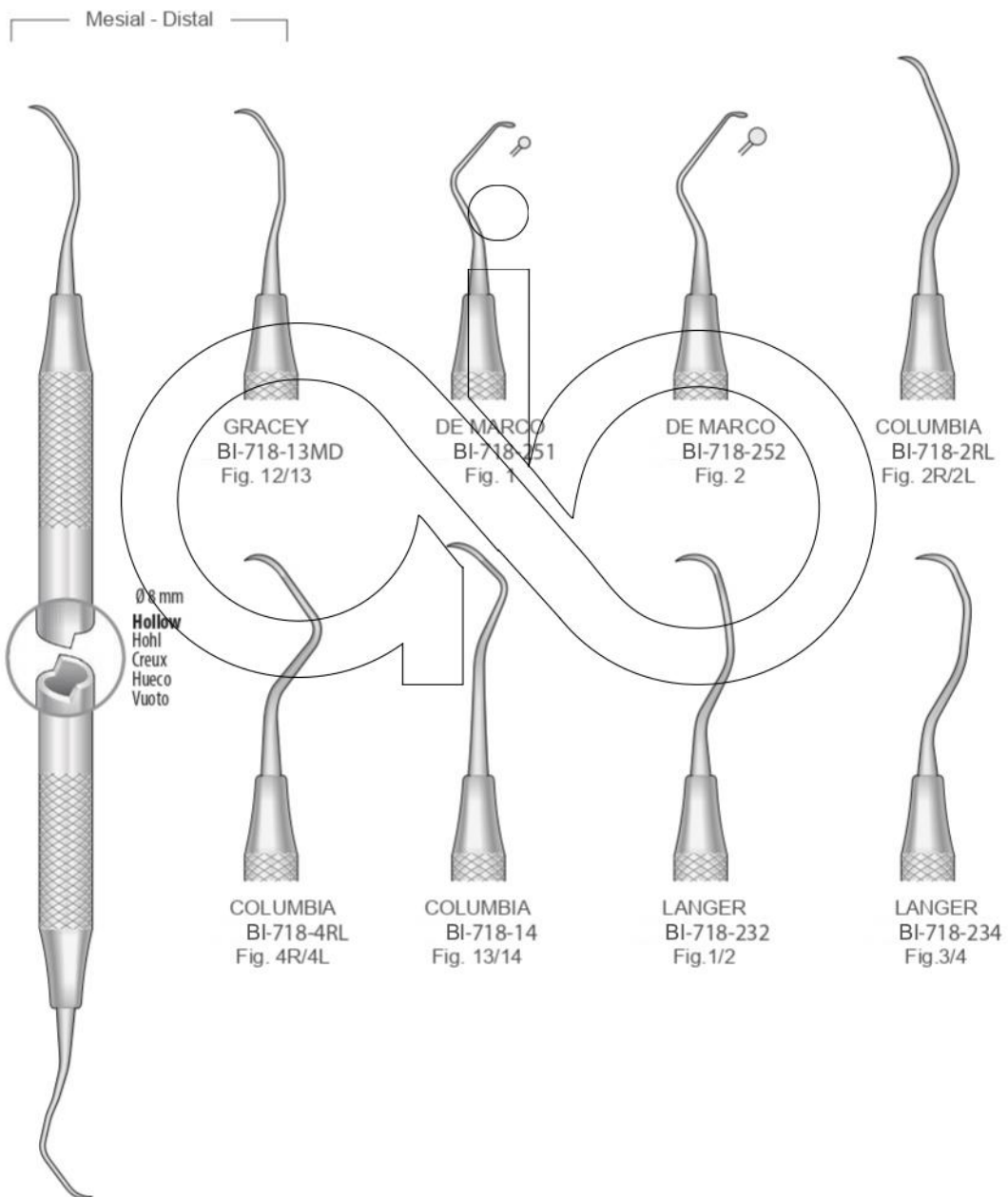
Küretten  
Curettes  
Curette  
Curetas  
Curettes

## GRACEY





Küretten  
Curettes  
Curette  
Curetas  
Curettes

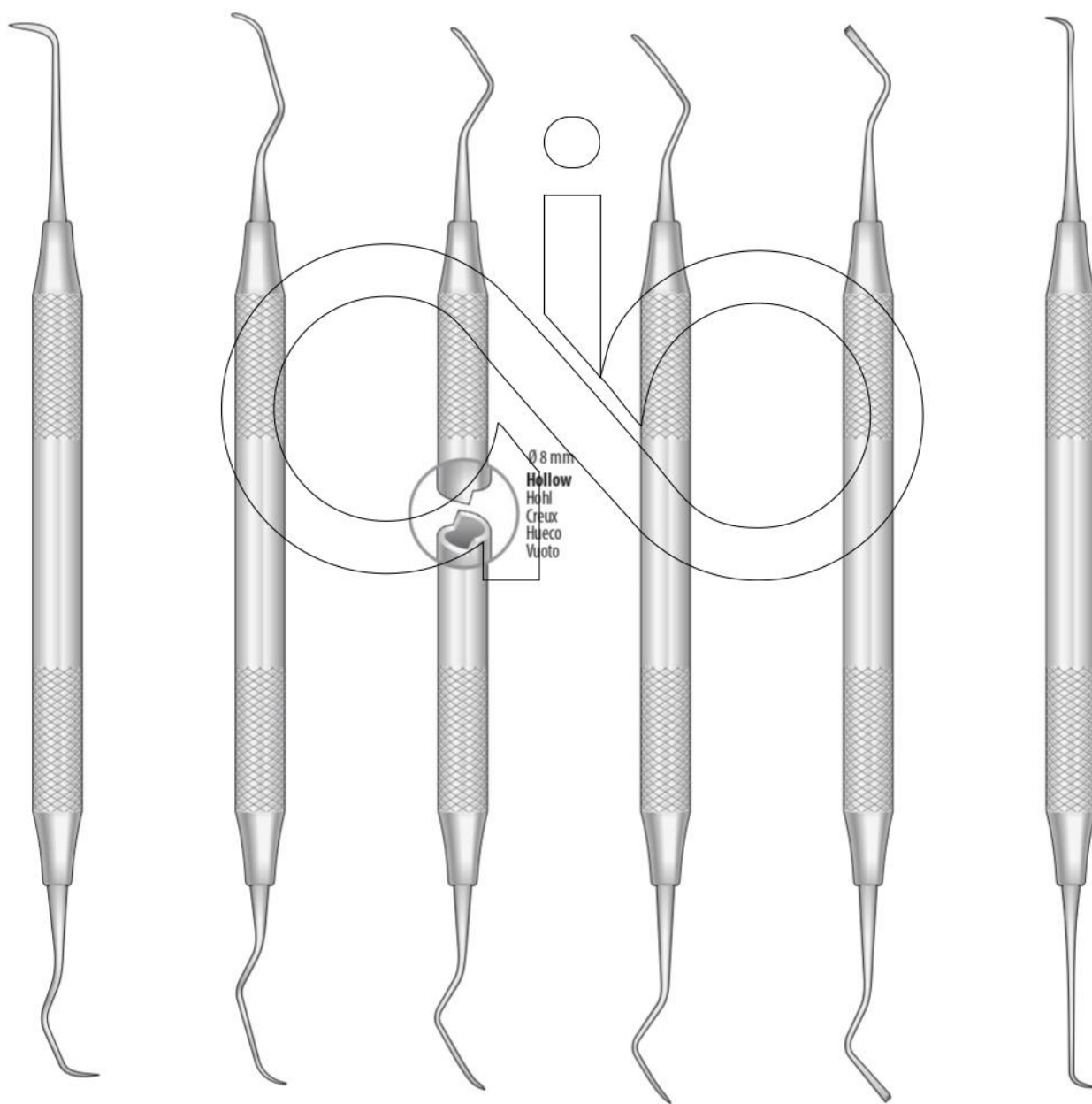


GRACEY  
BI-718-11MD  
Fig. 11/14





Küretten  
Curettes  
Curette  
Curetas  
Curettes



GOLDMAN-FOX  
BI-718-271  
Fig. 1

GOLDMAN-FOX  
BI-718-272  
Fig. 2

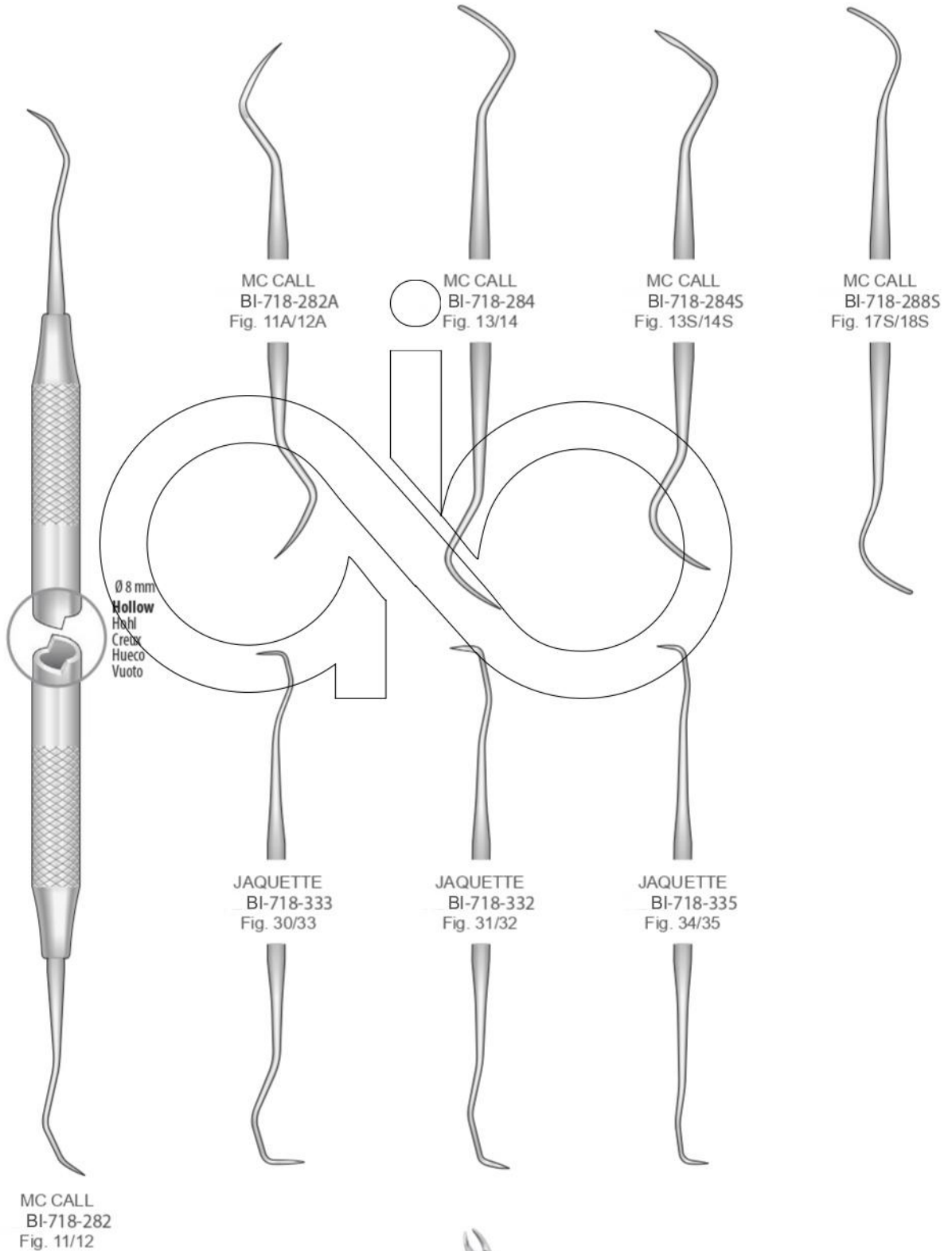
GOLDMAN-FOX  
BI-718-273  
Fig. 3

GOLDMAN-FOX  
BI-718-274  
Fig. 4

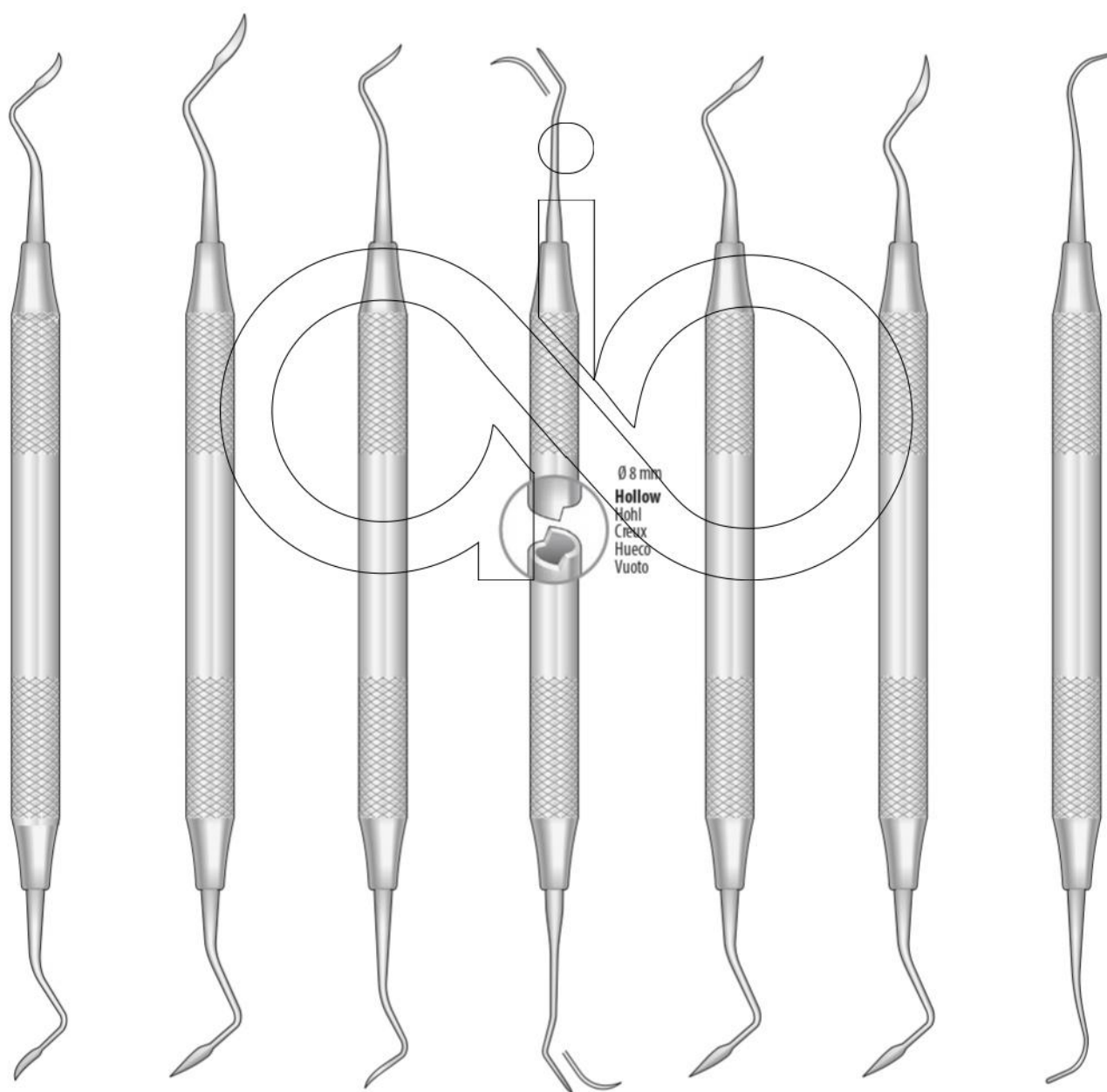
GOLDMAN-FOX  
BI-718-275  
Fig. 5

GOLDMAN-FOX  
BI-718-277  
Fig. 21

Scaler und Kùretten  
Scalers and Curettes  
Scaler e Curette  
Raspadores y Curetas  
Détartreurs et Curettes



Scaler und Küretten  
 Scalers and Curettes  
 Scaler e Curette  
 Raspadores y Curetas  
 Détartreurs et Curettes



Ø 8 mm  
**Hollow**  
 Kohl  
 Creux  
 Hueco  
 Vuoto

TAYLOR  
 BI-718-T03  
 Fig. 2/3

BI-718-204  
 Fig. 204

BI-718-204S  
 Fig. 204S

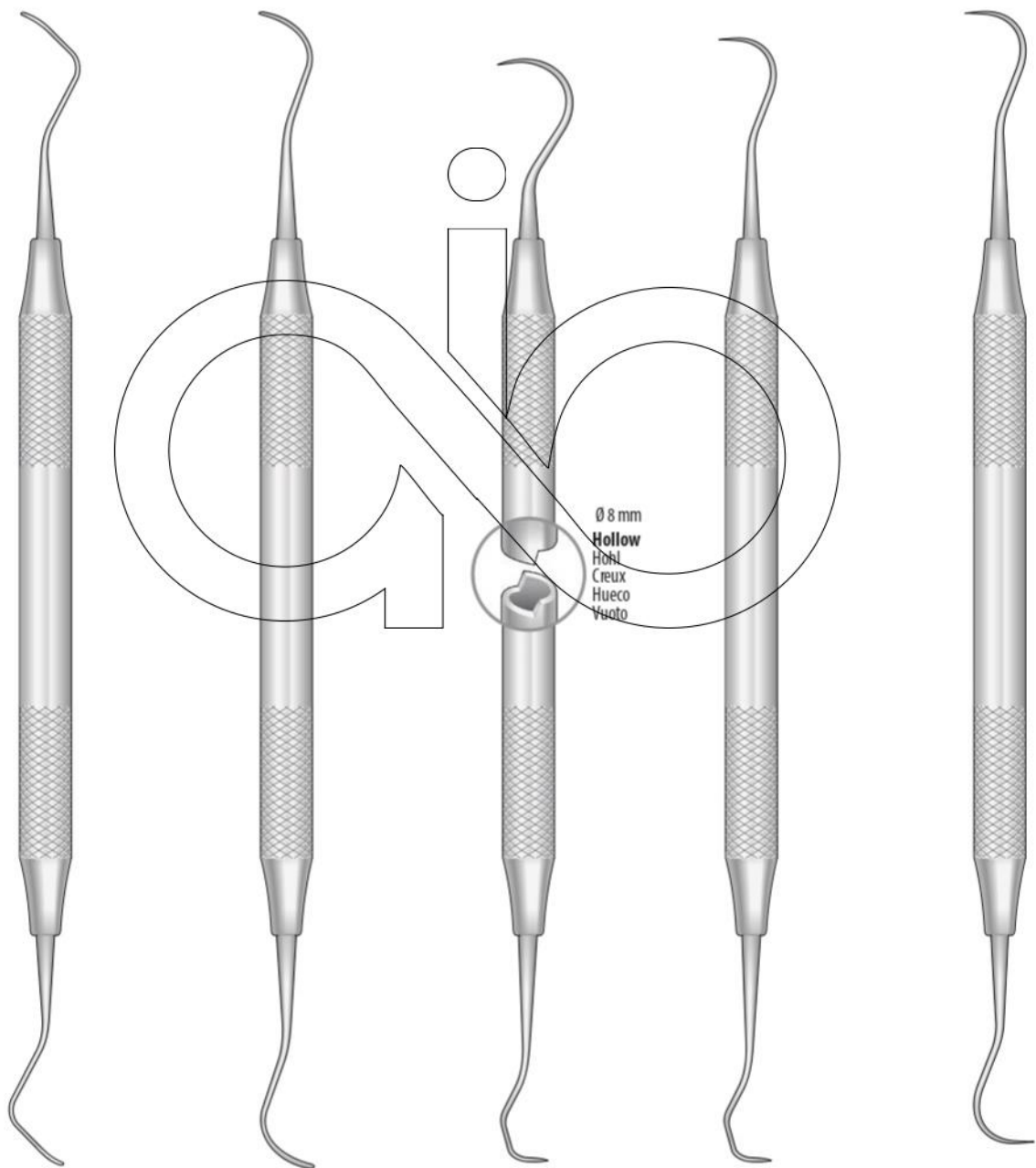
BI-718-204SD  
 Fig. 204SD

BI-718-CIO3  
 Fig. 2/3

CRANE-CAPLAN  
 BI-718-CK6  
 Fig. 6

YOUNGER-GOOD  
 BI-718-YG08  
 Fig. 7/8

Scaler und Küretten  
Scalers and Curettes  
Scaler e Curette  
Raspadores y Curetas  
Détartreurs et Curettes



RULE 23/24  
BI-718-RO4  
Fig. 3/4

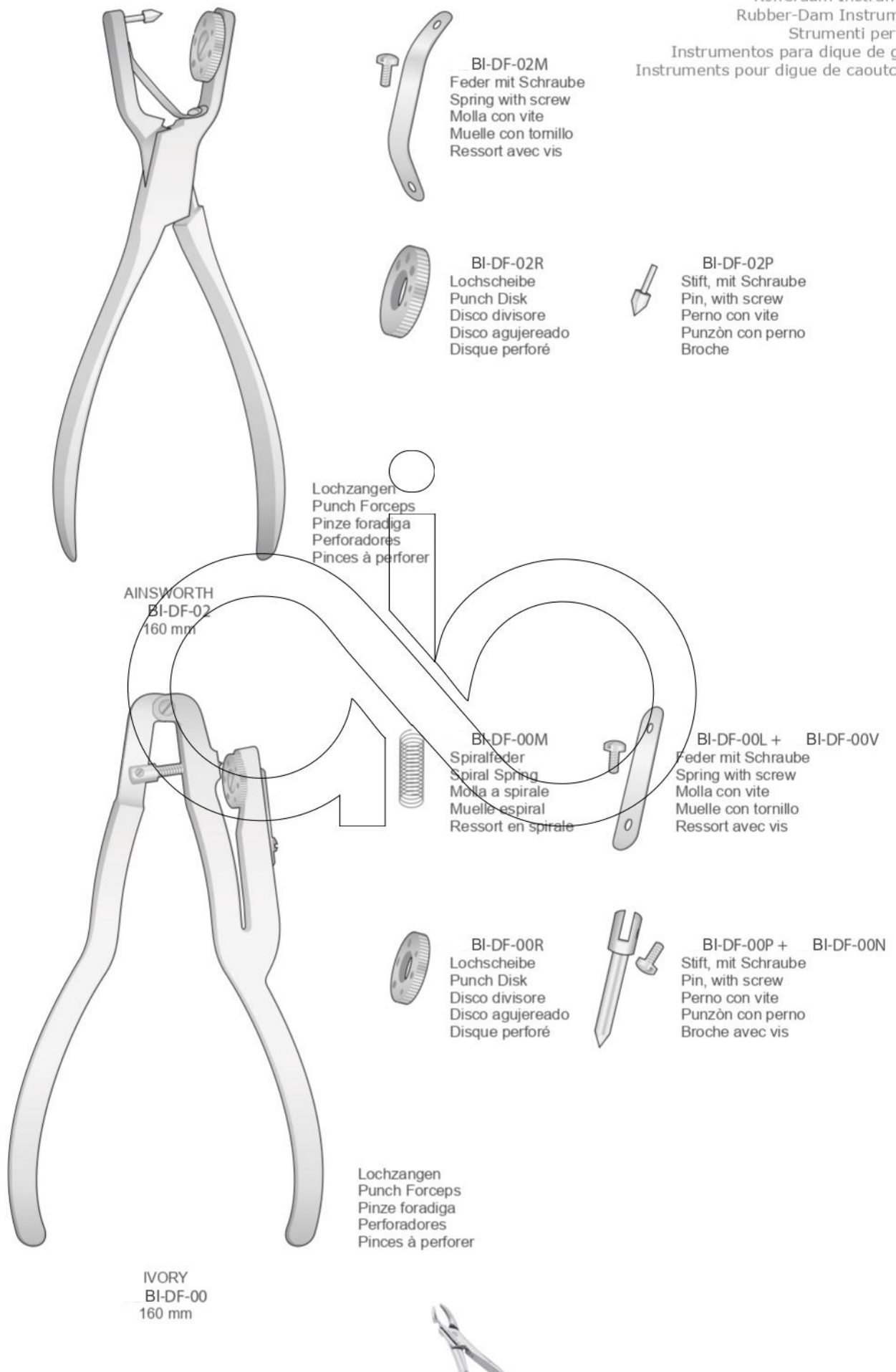
I. UNIVERSITY  
BI-718-268  
Fig. 17/18

TOWNER-JAQUETTE  
BI-719-111  
Fig. U 15/33

TOWNER-JAQUETTE  
BI-719-125  
Fig. H5/33

TOWNER-JAQUETTE  
BI-719-126  
Fig. H6/H7

Kofferdam Instrumente  
 Rubber-Dam Instruments  
 Strumenti per diga  
 Instrumentos para dique de goma  
 Instruments pour digue de caoutchouc



**BI-DF-02M**  
 Feder mit Schraube  
 Spring with screw  
 Molla con vite  
 Muelle con tornillo  
 Ressort avec vis

**BI-DF-02R**  
 Lochscheibe  
 Punch Disk  
 Disco divisore  
 Disco agujereado  
 Disque perforé

**BI-DF-02P**  
 Stift, mit Schraube  
 Pin, with screw  
 Perno con vite  
 Punzón con perno  
 Broche

Lochzangen  
 Punch Forceps  
 Pinze foradiga  
 Perforadores  
 Pincas à perforer

AINSWORTH  
**BI-DF-02**  
 160 mm

**BI-DF-00M**  
 Spiralfeder  
 Spiral Spring  
 Molla a spirale  
 Muelle espiral  
 Ressort en spirale

**BI-DF-00L + BI-DF-00V**  
 Feder mit Schraube  
 Spring with screw  
 Molla con vite  
 Muelle con tornillo  
 Ressort avec vis

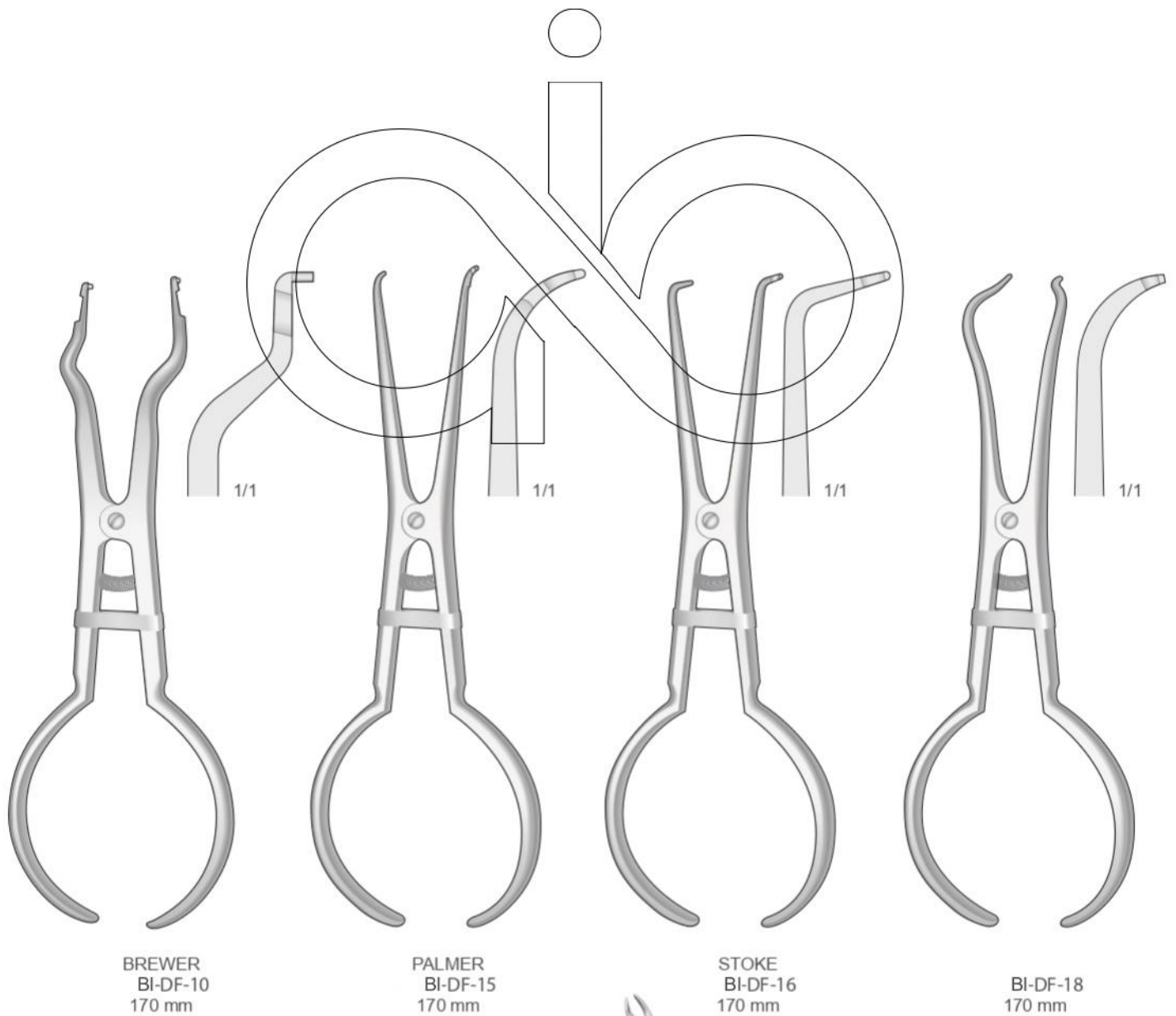
**BI-DF-00R**  
 Lochscheibe  
 Punch Disk  
 Disco divisore  
 Disco agujereado  
 Disque perforé

**BI-DF-00P + BI-DF-00N**  
 Stift, mit Schraube  
 Pin, with screw  
 Perno con vite  
 Punzón con perno  
 Broche avec vis

Lochzangen  
 Punch Forceps  
 Pinze foradiga  
 Perforadores  
 Pincas à perforer

IVORY  
**BI-DF-00**  
 160 mm

Kofferdam-Klammerzangen  
 Rubber-Dam Clamp Forceps  
 Pinze per uncini  
 Pinzas para grapas dique de goma  
 Pincas porte-crampons



Matrizenspanner und Matrizenbänder  
 Matrix Retainers and Matrix Bands  
 Portamatrici e matrici  
 Portamatrices y bandas matrices  
 Porte-matrices et bagues matrices

Molaren, 12 Stück  
 Molars, 12 pieces  
 Molari, 12 pezzi  
 Molares, 12 piezas  
 Molaïres, 12 Pièces

Premolaren, 12 Stück  
 Premolars, 12 pieces  
 Premolari, 12 pezzi  
 Premolares, 12 piezas  
 Prémolaires, 12 Pièces

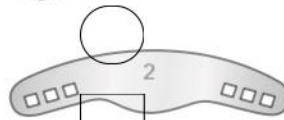
Kofferdam-Klammerzangen  
 Rubber-Dam Clamp Forceps  
 Pinze per uncini  
 Pinzas para grapas dique de goma  
 Pincès porte-crampons



BI-DF-40/1  
 Fig.1



BI-DF-41/4  
 Fig.4



BI-DF-40/2  
 Fig.2



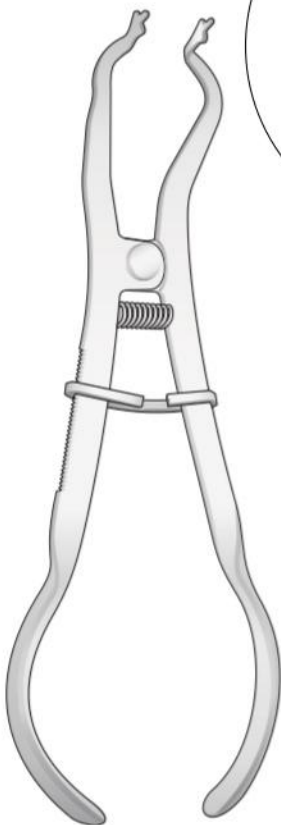
BI-DF-41/5  
 Fig.5



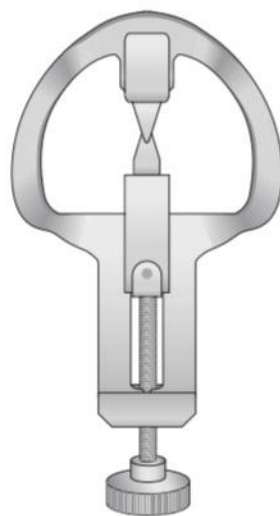
BI-DF-40/3  
 Fig.3



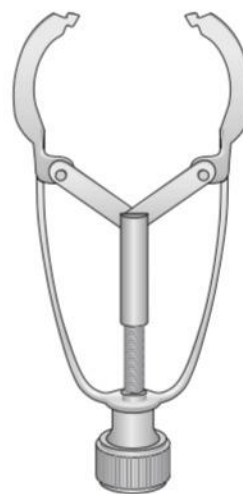
BI-DF-41/6  
 Fig.6



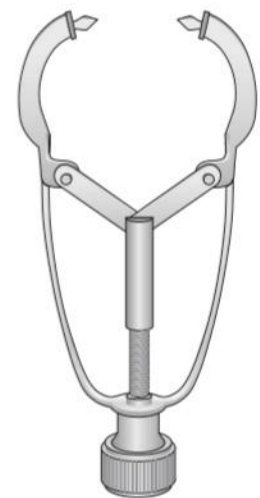
IVORY  
 BI-DF-12  
 170 mm



IVORY  
 BI-DF-43  
 Fig. 14



IVORY  
 BI-DF-40  
 Fig. 1



IVORY  
 BI-DF-41  
 Fig. 12





Kofferdam Instrumente  
Rubber-Dam Instruments  
Strumenti per diga  
Instrumentos para dique de goma  
Instruments pour digue de caoutchouc

Kofferdam-Klammern  
Rubber-Dam Clamps  
Uncini per diga  
Clamps para diques  
Crampons pour digue



IVORY  
BI-DF-126  
# 26



IVORY  
BI-DF-127  
# 27



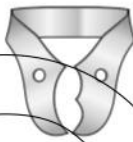
IVORY  
BI-DF-128  
# 28



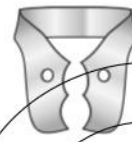
IVORY  
BI-DF-129  
# 29



IVORY  
BI-DF-130  
# 30



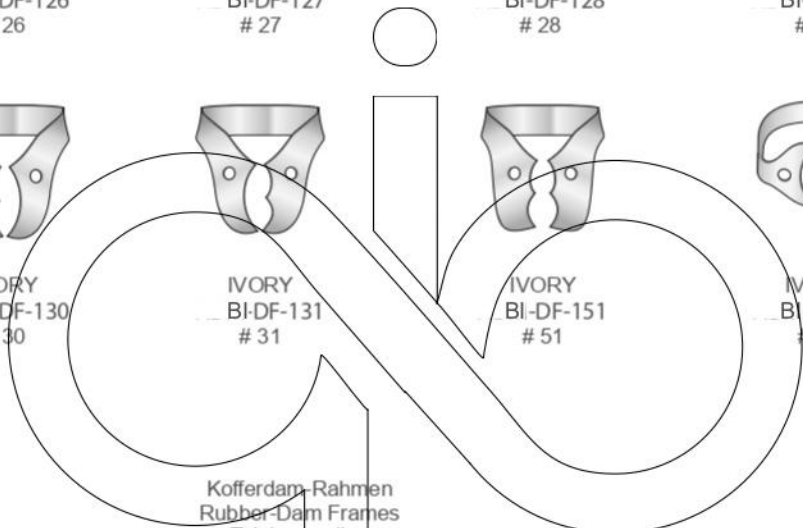
IVORY  
BI-DF-131  
# 31



IVORY  
BI-DF-151  
# 51



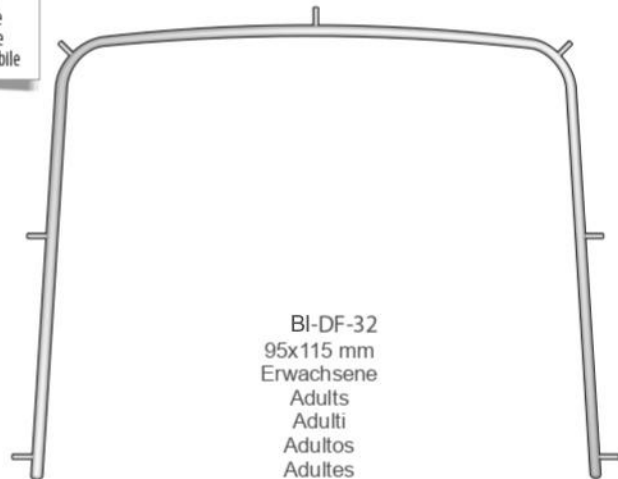
IVORY  
BI-DF-160  
# 60



Kofferdam-Rahmen  
Rubber-Dam Frames  
Telaio per diga  
Cuadro para diques  
Cadre à digue



BI-DF-30  
80x75 mm  
Kinder  
Children  
Bambini  
Niños  
Enfants



BI-DF-32  
95x115 mm  
Erwachsene  
Adults  
Adulti  
Adultos  
Adultes





Matrizenspanner und Matrizenbänder  
 Matrix Retainers and Matrix Bands  
 Portamatrici e matrici  
 Portamatrices y bandas matrices  
 Porte-matrices et bagues matrices

Molaren, 12 Stück  
 Molars, 12 pieces  
 Molari, 12 pezzi  
 Molares, 12 piezas  
 Molaires, 12 Pièces

Premolaren, 12 Stück  
 Premolars, 12 pieces  
 Premolari, 12 pezzi  
 Premolares, 12 piezas  
 Prémolaires, 12 Pièces

TOFFLEMIRE  
 Universal



BI-DF-03/7  
 #7



BI-DF-03/11  
 #11



BI-DF-03/1  
 #1



BI-DF-03/8  
 #8



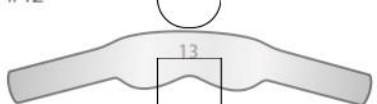
BI-DF-03/12  
 #12



BI-DF-03/2  
 #2



BI-DF-03/9  
 #9



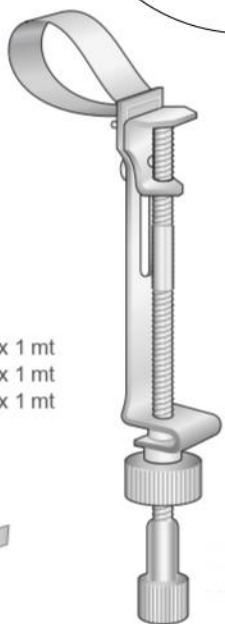
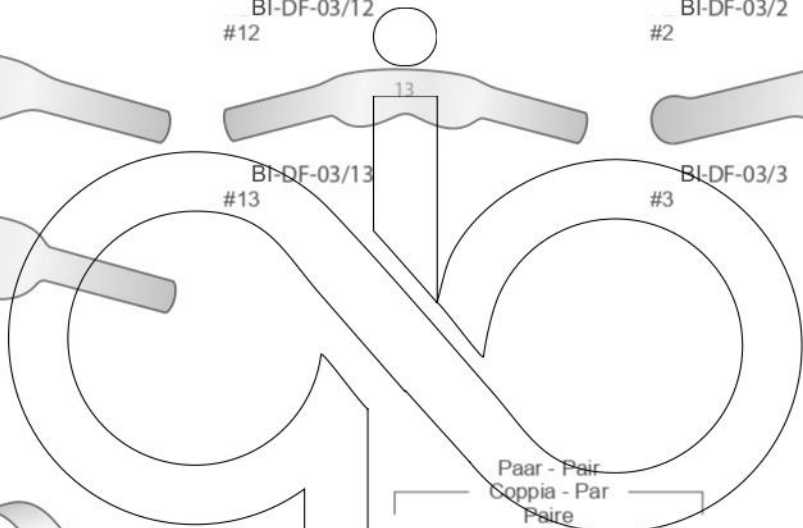
BI-DF-03/13  
 #13



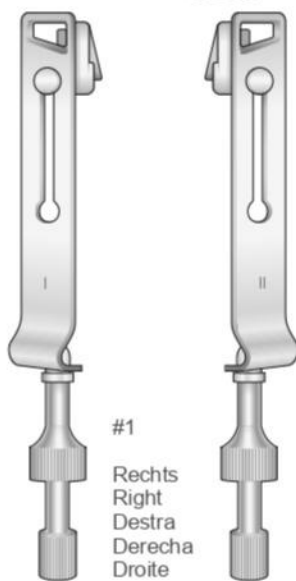
BI-DF-03/3  
 #3



BI-DF-03/10  
 #10



IVORY  
 BI-DF-06/ BI-DF-09  
 #8



NYSTRÖM  
 BI-DF-04  
 #1 + #2



TOFFLEMIRE  
 BI-DF-07  
 Universal



# **ALL IN ONE**

---

## **S U P P L I E S**

Manufacturer & Exporter Of Surgical, Dental & Orthopedic Instruments.

+92-333-8740-629

info@aiosupplies.com | medisuraj@gmail.com

Bismillah Street, Kacha Shahab Pura, S.I.E. Sialkot Pakistan [www.aiosupplies.com](http://www.aiosupplies.com)



ISO  
9001:2008

