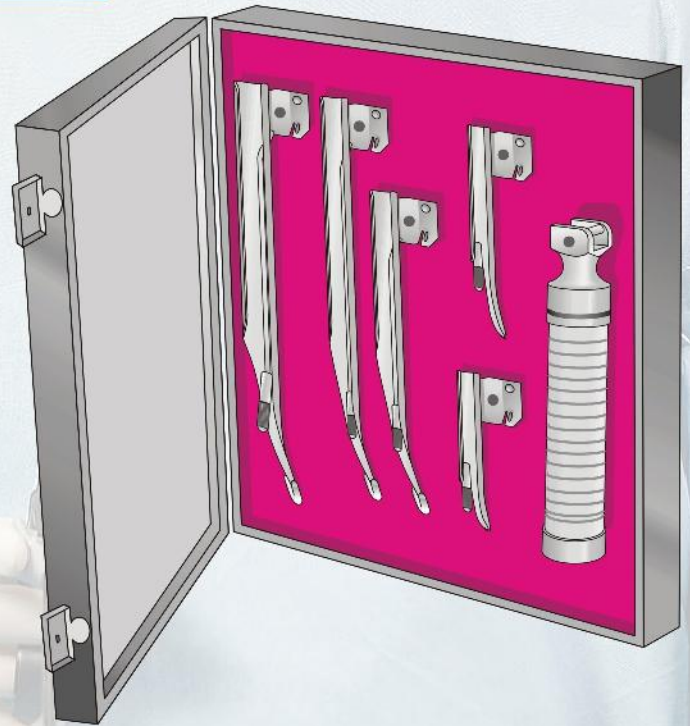




**ALL IN ONE**  
SUPPLIES

2020  
CATALOGUE

**Surgical**  
Instruments



**Diagnostic & Anaesthesia**  
Instruments

## PROFILE

**All In One Supplies** is highly experienced Manufacturer & exporter of high quality **Surgical Instruments** and also in the field of **Orthopaedic, Arthroscopy, Gynaecology, Bone Surgery, E.N.T Instruments** since 2007.

We represent latest and directives technologies and incorporate an up to date know how of modern techniques, combined with our most efficient customer support and service back up.

Our company is in pursuit of attaining excellence in our field through our dedicated research and development project and by incorporating latest technological advancements and inputs, available to us through different quarters of international scientific community.

We are committed to provide international quality Instruments at reasonable prices, complimented by our efficient and versatile customer support system, so as to achieve complete customer satisfaction through business ethics.

**We manufacture only premium quality Instruments of Medical Field.** We can even customize an entire line of products to meet your needs as a distributor.

**Private labeling** is also available to qualified accounts!

We use only the finest materials and most advanced processes to manufacturer **our high Quality Instruments**

### Mission Statement:

**All In One Supplies** Mission Continuous Enhancement economic well being of stakeholders through business in health Solutions, medical devices and Instruments. The Customers are the most important stakeholders in **All In One Supplies**

**All In One Supplies** believe in working close with its customers to understand and fulfill their intended as well as unintended needs. Call us or email on **info@aiosupplies.com** for any further assistance our staff is always ready to serve the best to our esteemed customers.

### All In One Supplies

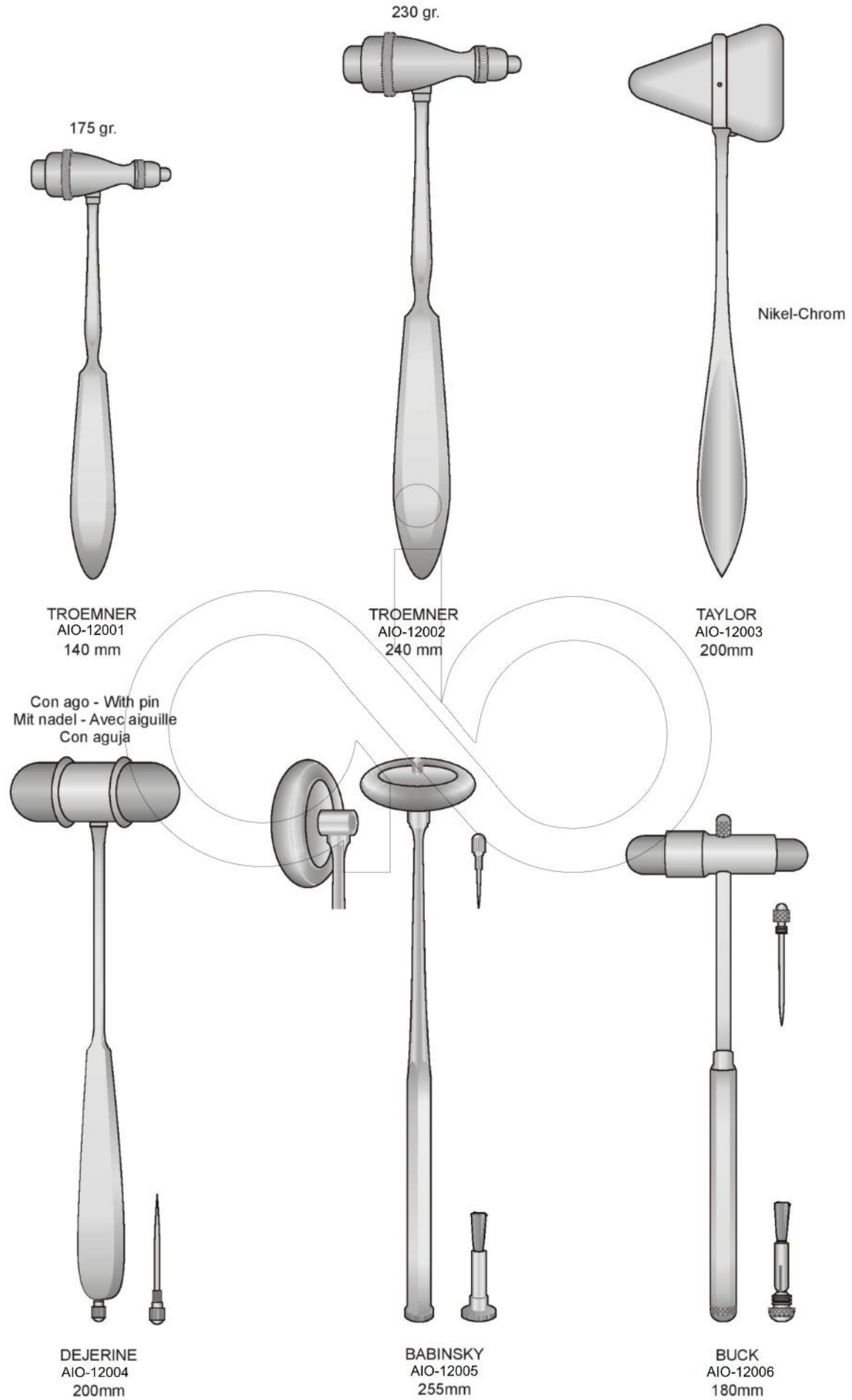
Bismillah Street, Kacha Shahab Pura, S.I.E.  
Sialkot - 51310 Pakistan.

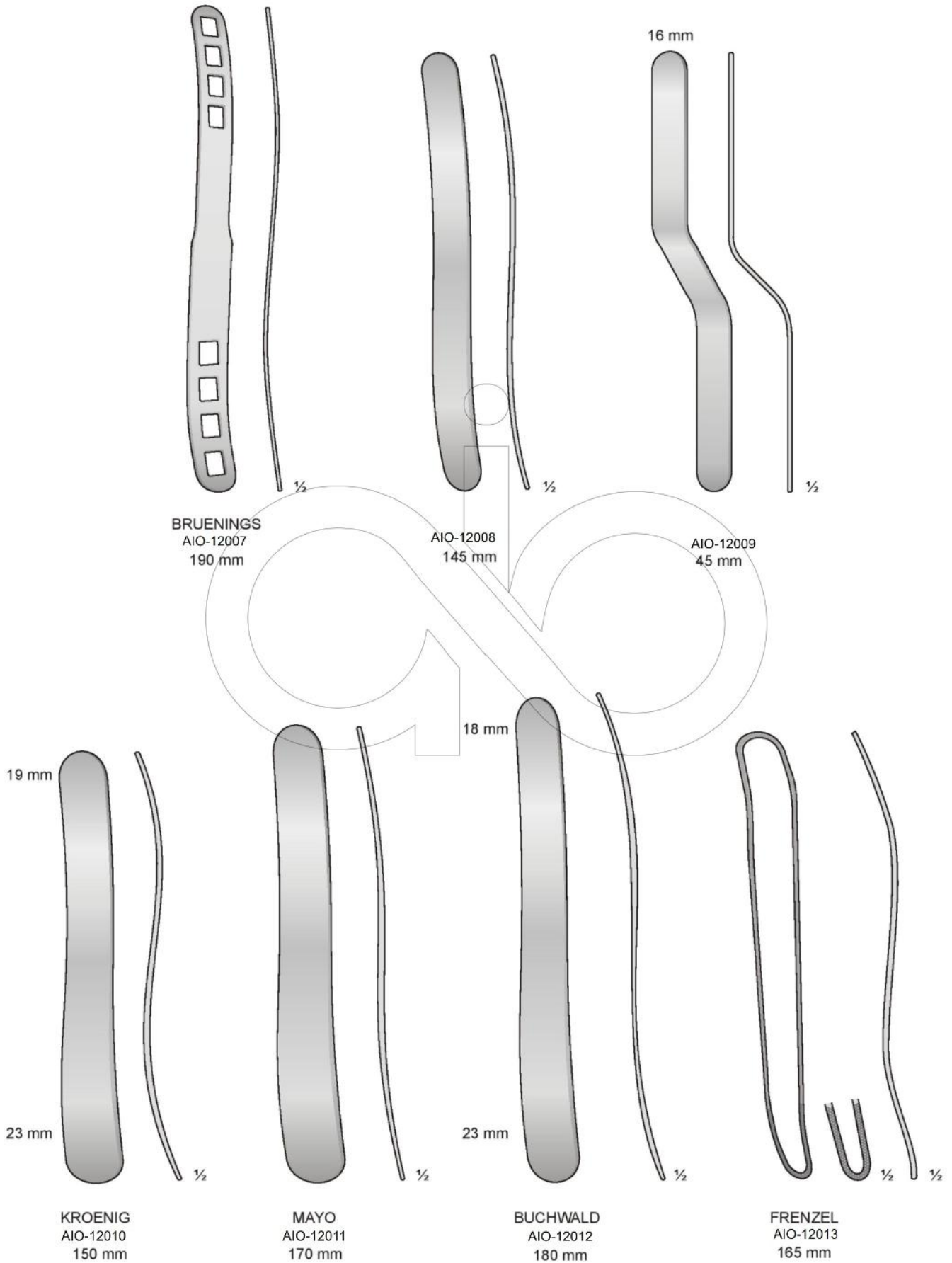
CELL: +92-333-8740-629  
EMAIL: info@aiosupplies.com  
EMAIL: medisuraj@gmail.com  
WEB: www.aiosupplies.com

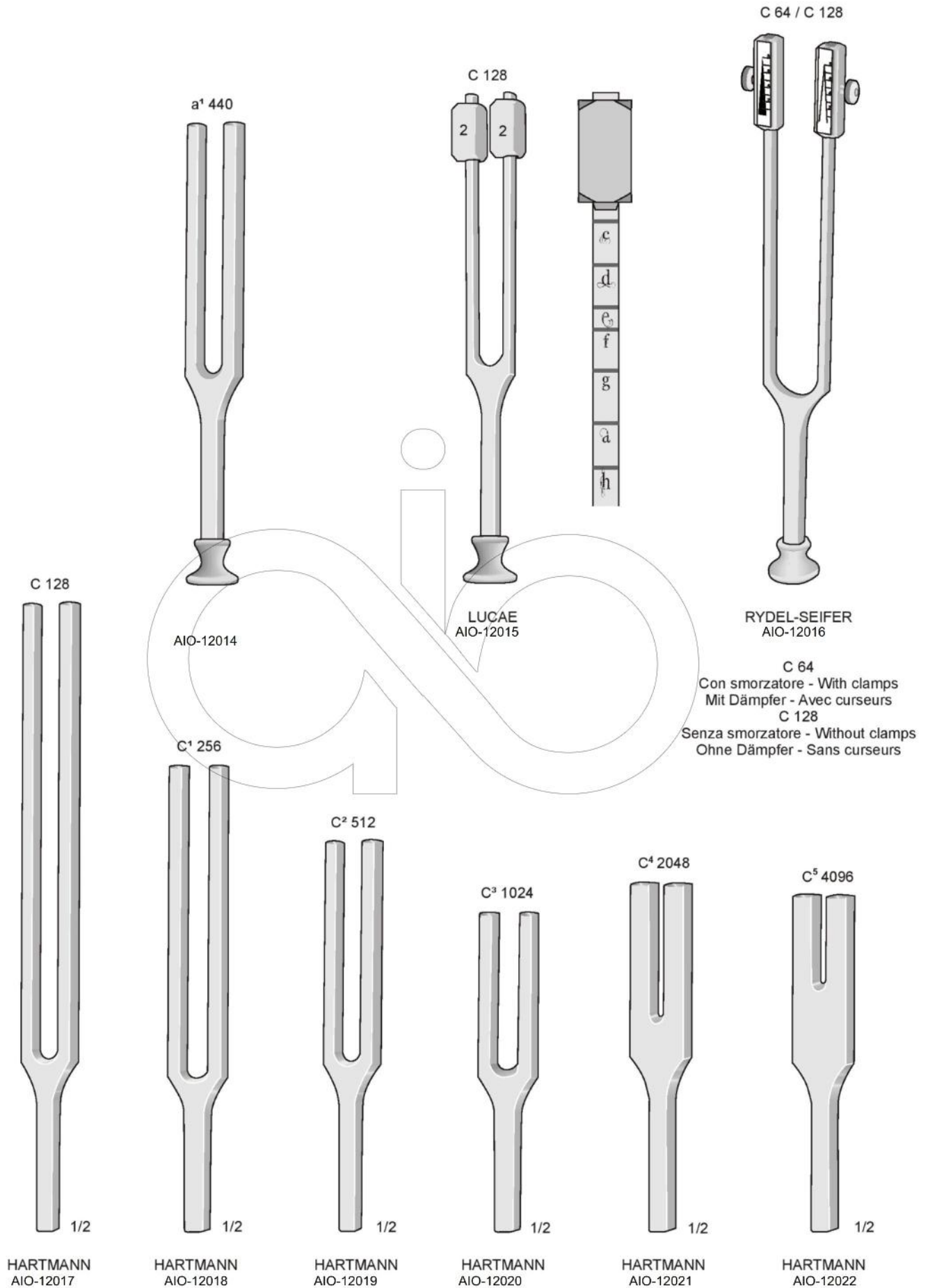


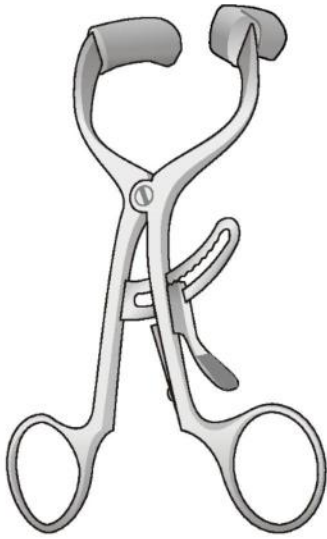
Design  
Quality  
Accuracy

We continually strive to improve our products, therefore changes may result. All specifications and measurements in this catalogue may vary within accepted industry standards or change without notice.

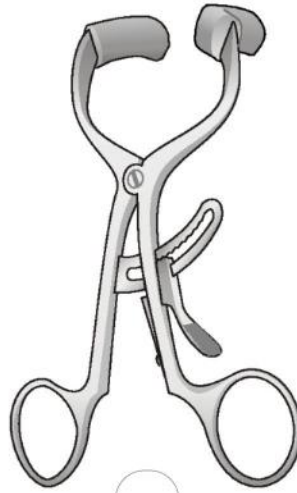




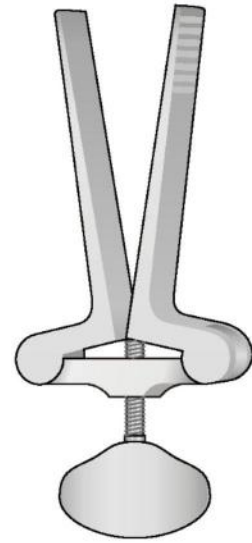




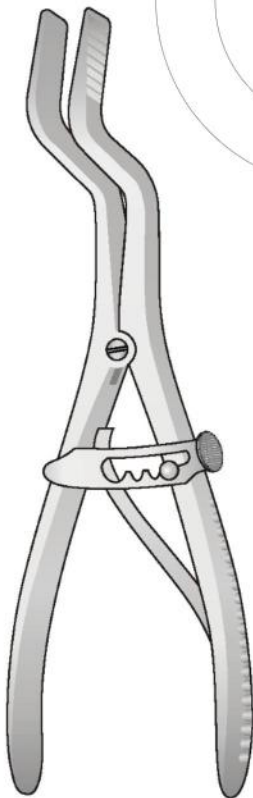
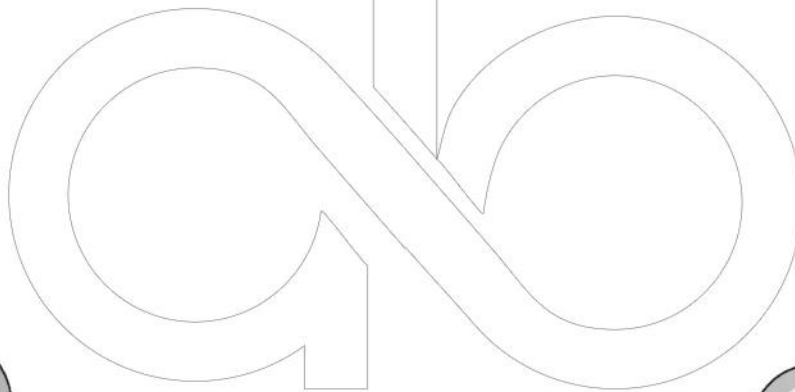
DOYEN-JANSEN  
AIO-12023  
140 mm



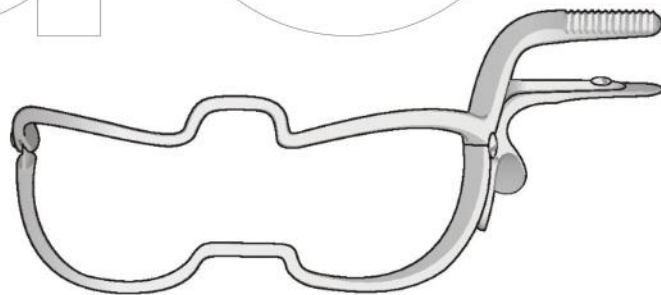
DOYEN-COLLIN  
AIO-12024  
120 mm



HEISTER  
AIO-12025  
135 mm



ROSER-KÖNIG  
AIO-12026  
185 mm



WHITEHEAD-JENNINGS  
AIO-12027 90 mm  
AIO-12027-1 110 mm  
AIO-12027-2 130 mm  
AIO-12027-3 150 mm

Anestesia - Anesthesia  
Anaesthesie - Anesthésie - Anestesia

Pinze da intubazione  
Kathetereinführungszangen  
Catheter introducing forceps  
Pinces à intubation  
Pinzas para introducir catéteres



AIO-12028-1  
150 mm



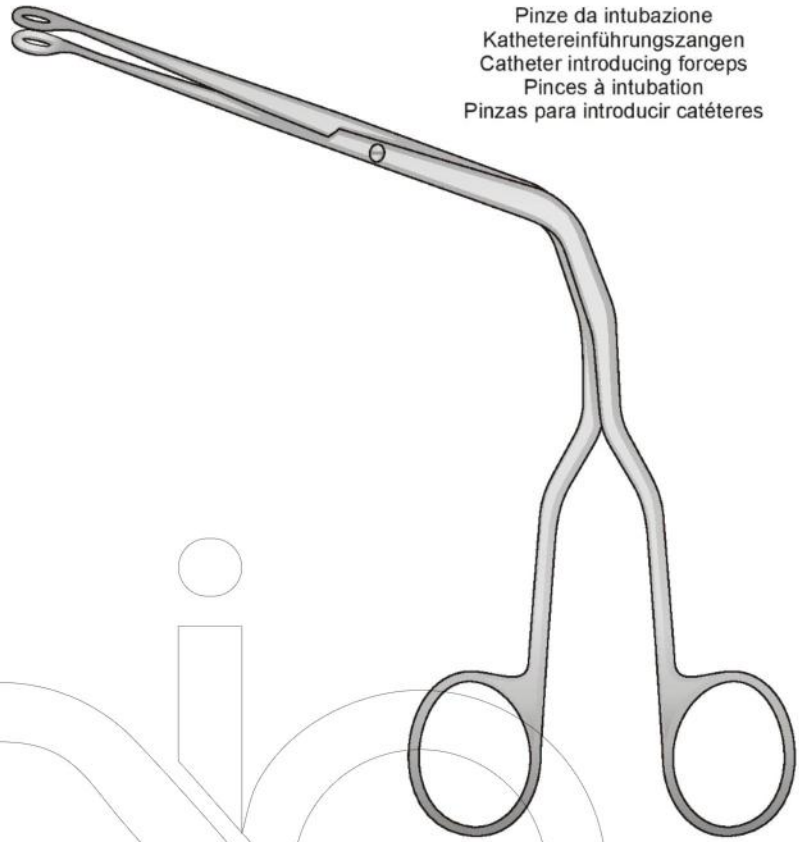
AIO-12028-2  
200 mm



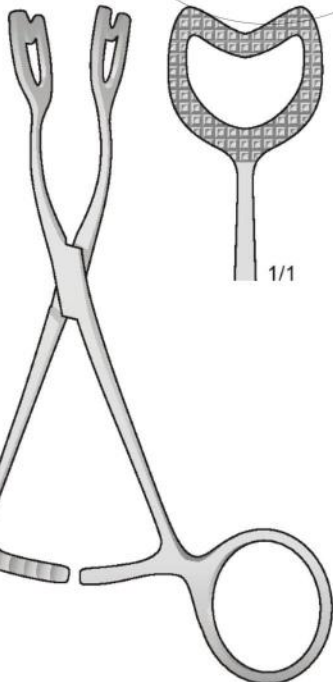
AIO-12028-3  
250 mm



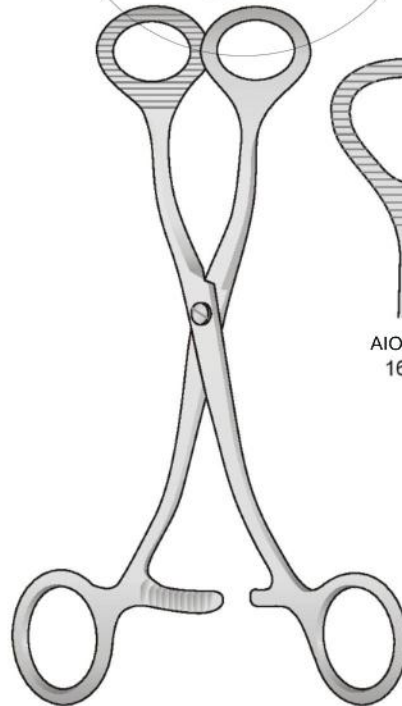
AIO-12028-4  
250 mm



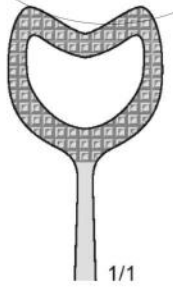
MAGILL  
AIO-12028



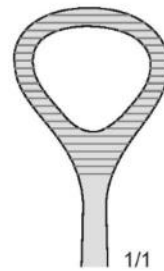
AIO-12029  
140 mm



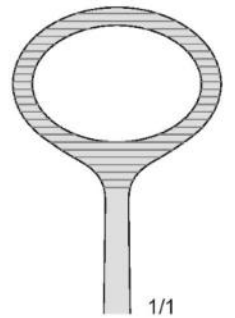
COLLIN  
AIO-12030



1/1

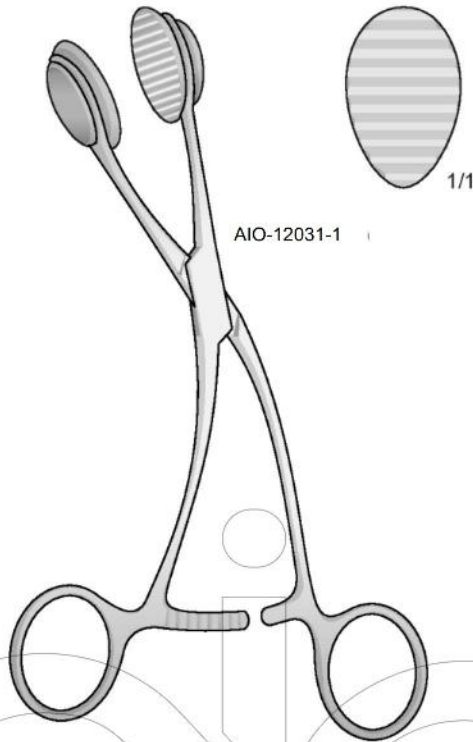


AIO-12030-1  
165 mm



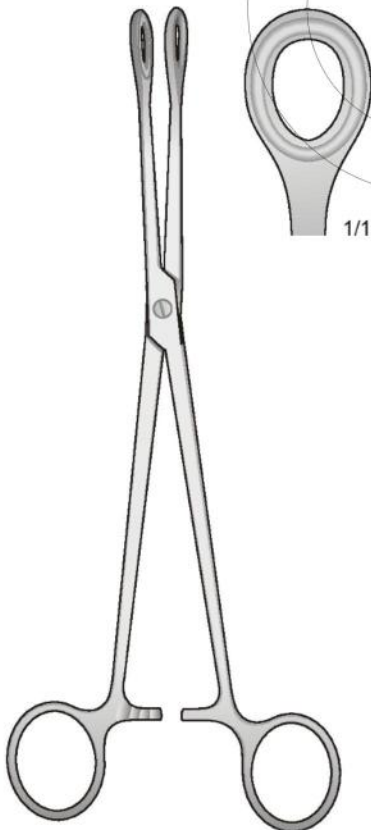
AIO-12030-2  
170 mm

Gommini di ricambio 2 pezzi  
1 Pair of rubber pads  
1 Paar ersatzgummi  
1 Paire de mors caoutchouc  
1 Paar placas de caucho



AIO-12031-1

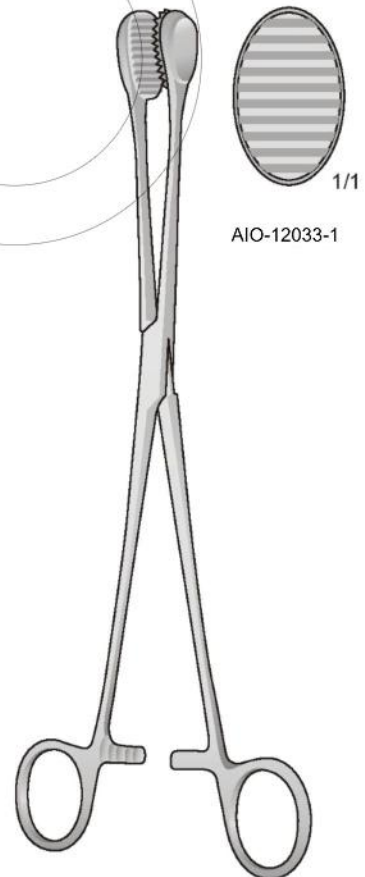
Pinza per batuffoli e tamponi  
Cotton swab-Sponge holding forceps  
Tupfer-Schwammzangen  
Pinces à tampons et è ponges  
Pinzas para tampones porta esponjas



AIO-12032  
230 mm

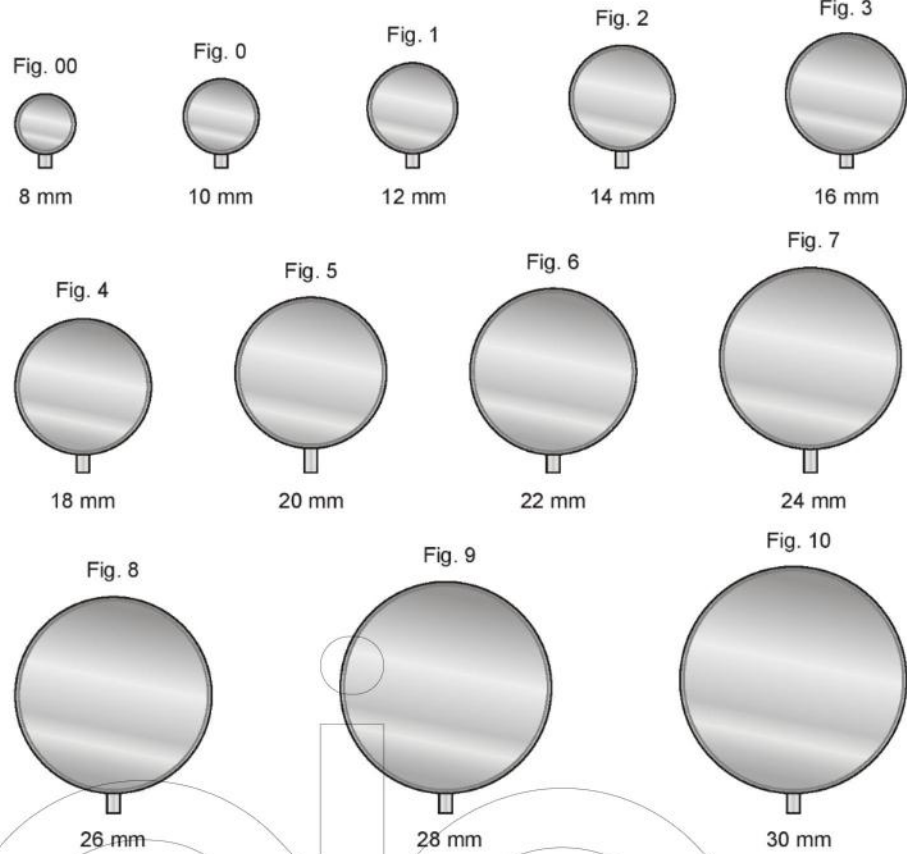
YOUNG  
AIO-12031  
160 mm

Gommini di ricambio 2 pezzi  
1 Pair of rubber pads  
1 Paar ersatzgummi  
1 Paire de mors caoutchouc  
1 Paar placas de caucho



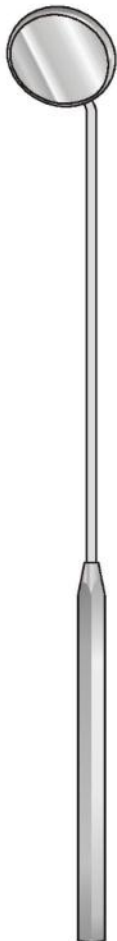
CHILD  
AIO-12033  
240 mm





Specchietto laringeo con manico esagonale  
Laryngeal mirrors with hexagonal handle  
Miroirs laryngiens avec manche hexagonal

Inox

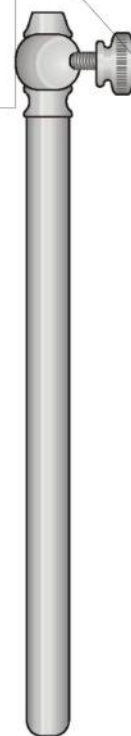


AIO-12034  
180 mm

Diametro dello specchio - Diameter of mirrors - Spiegeldurchmesser  
Diámetro de los espejos

Manico per specchietti  
Mirrors handle  
Spiegelgriff  
Manche à miroir  
Manico para espejos

Nikel-Chrom



AIO-12035  
120 mm

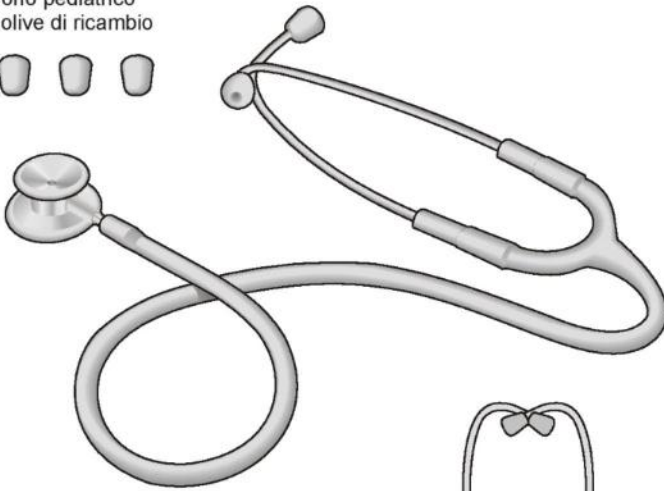
Specchietto laringeo  
Laryngeal mirrors  
Kehlkopfspiegel  
Miroirs laryngiens  
Espejos laringeos

Fig.	Fig.
01-370-08	00
01-370-10	0
01-370-12	1
01-370-14	2
01-370-16	3
01-370-18	4
01-370-20	5
01-370-22	6
01-370-24	7
01-370-26	8
01-370-28	9
01-370-30	10

Fig.	Fig.
01-390-08	00
01-390-10	0
01-390-12	1
01-390-14	2
01-390-16	3
01-390-18	4
01-390-20	5
01-390-22	6

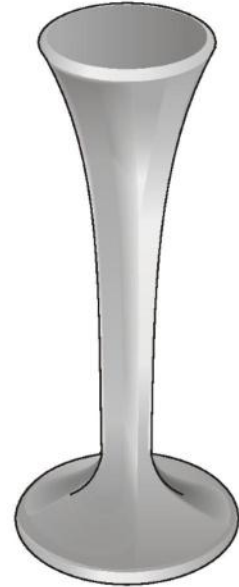
AIO-12036  
120 mm

Duofono pediatrico  
Con 4 olive di ricambio

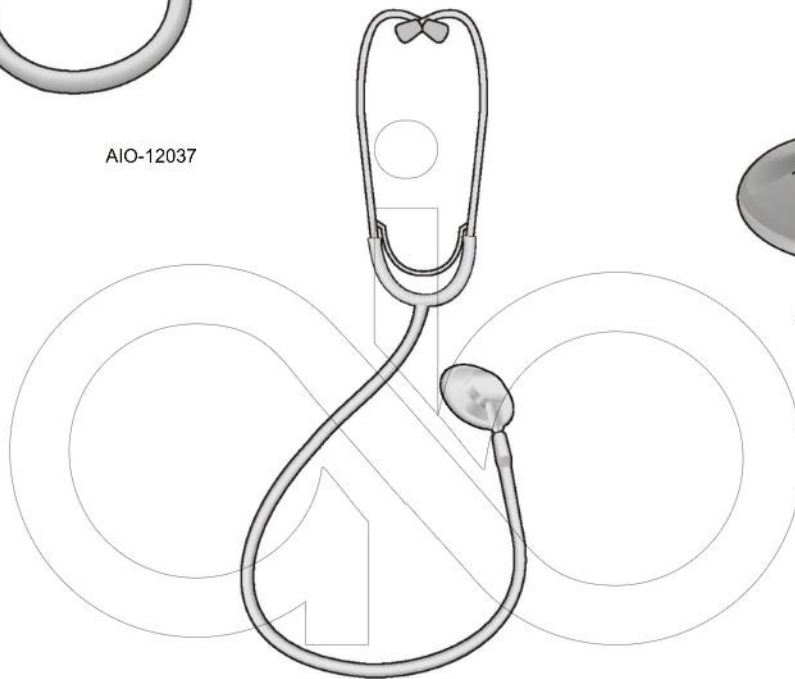


AIO-12037

In legno  
Of wood  
Aus Holz  
En bois  
De madera



AIO-12038  
145 mm



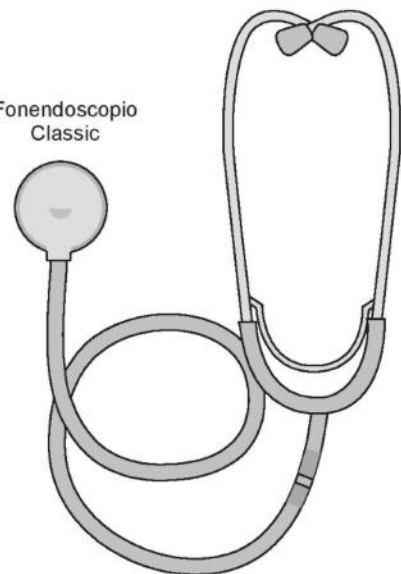
LEVIS - CLASSIC  
AIO-12039

Professional  
Con 4 olive di ricambio



AIO-12040

Fonendoscopio  
Classic



AIO-12041

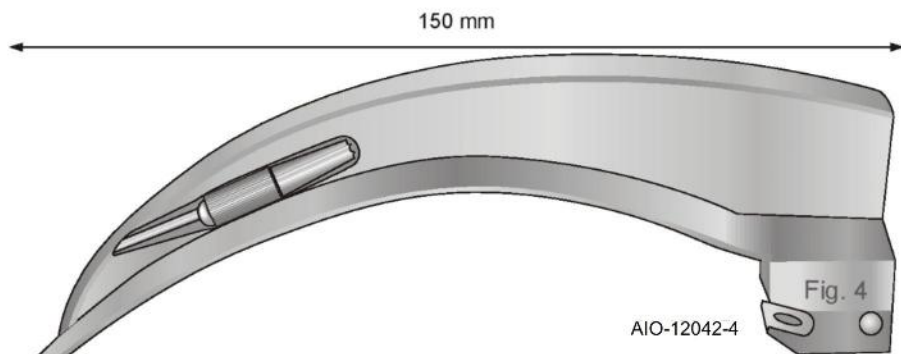
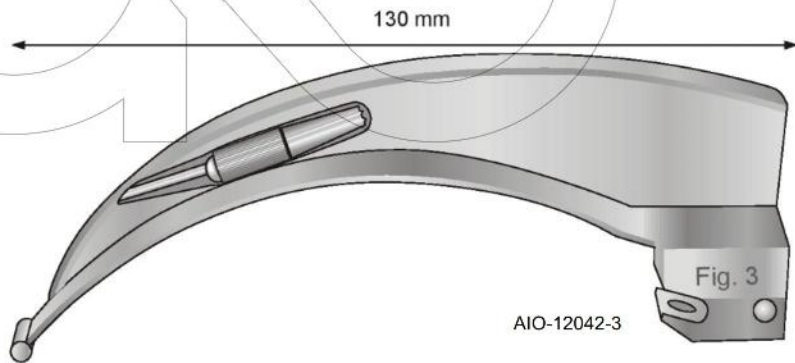
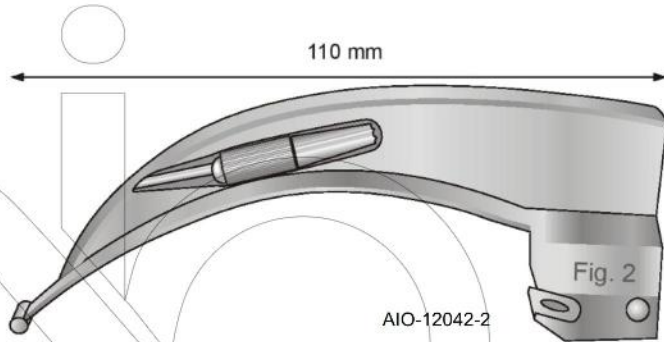
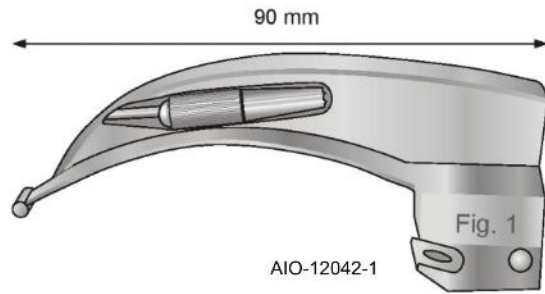
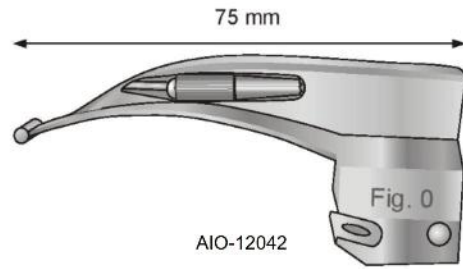
Laringoscopio  
MC INTOSH



**AA-B100**  
2,5 Volt  
300 mA  
Per lama **AA-100**  
For blades **AA-100**  
Für Spatel **AA-100**  
Pour spatules **AA-100**  
Para hojas **AA-100**



**AA-B101**  
2,5 Volt  
300 mA  
Per lame **AA-101 + AA-104**  
For blades **AA-101 + AA-104**  
Für Spatel **AA-101 + AA-104**  
Pour spatules **AA-101 + AA-104**  
Para hojas **AA-101 + AA-104**



Laringoscopio  
**MILLER**



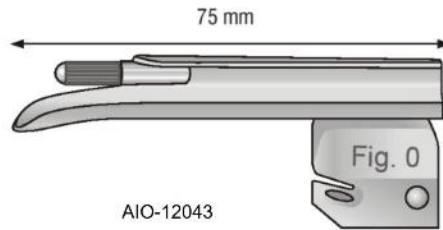
**AA-B100**  
2,5 Volt  
300 mA

Per lama **AA-200 + AA-203**  
For blades **AA-200 + AA-203**  
Für Spatel **AA-200 + AA-203**  
Pour spatules **AA-200 + AA-203**  
Para hojas **AA-200 + AA-203**

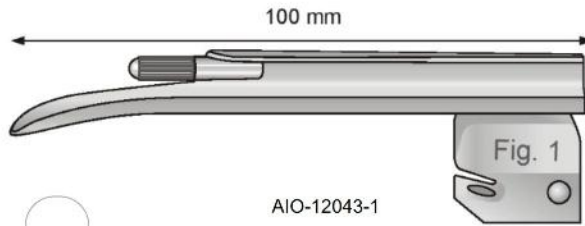


**AA-B101**  
2,5 Volt  
300 mA

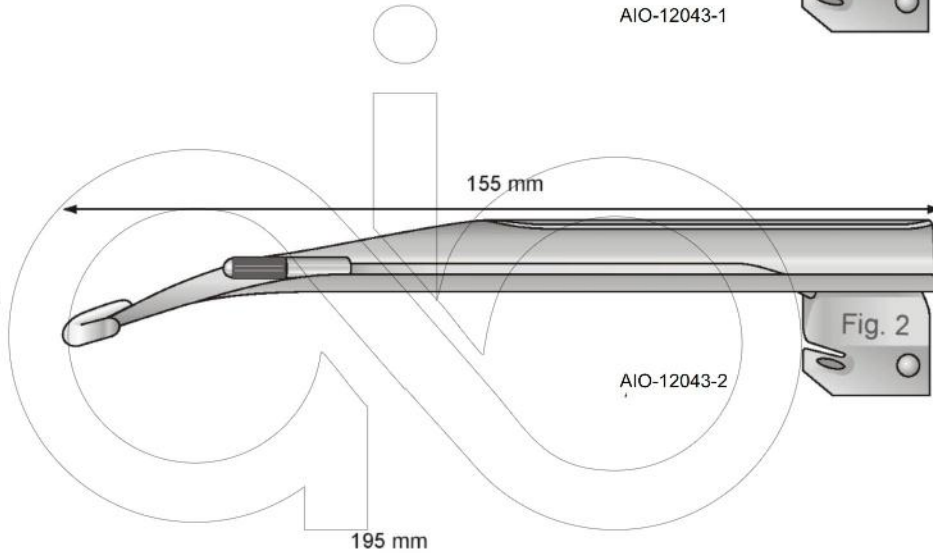
Per lama **AA-204**  
For blades **AA-204**  
Für Spatel **AA-204**  
Pour spatules **AA-204**  
Para hojas **AA-204**



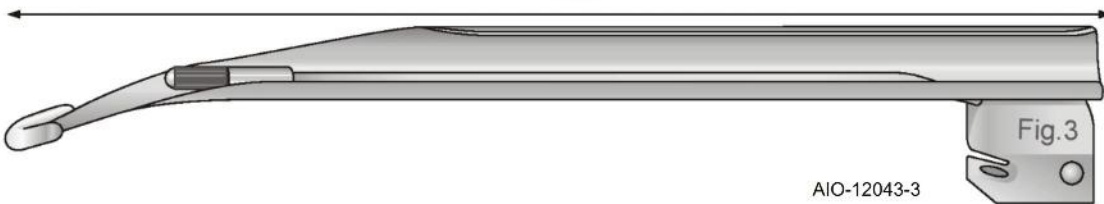
AIO-12043



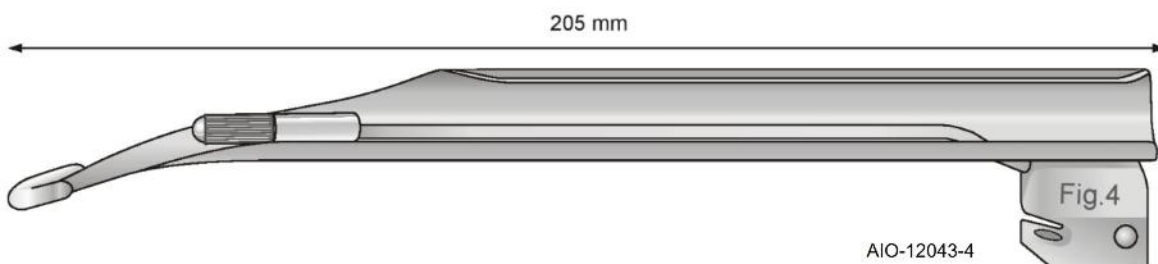
AIO-12043-1



AIO-12043-2



AIO-12043-3



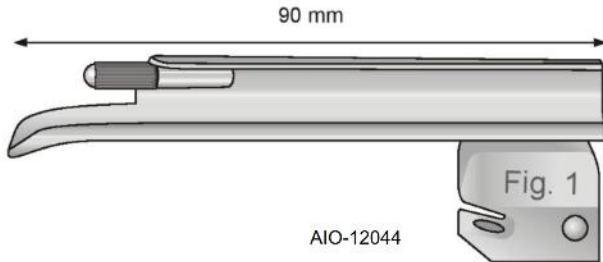
AIO-12043-4

Laringoscopio  
**NEGUS - GUEDEL**

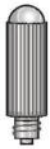


**AA-B100**  
2,5 Volt  
300 mA

Per lama **AA-401**  
For blades **AA-401**  
Für Spatel **AA-401**  
Pour spatules **AA-401**  
Para hojas **AA-401**

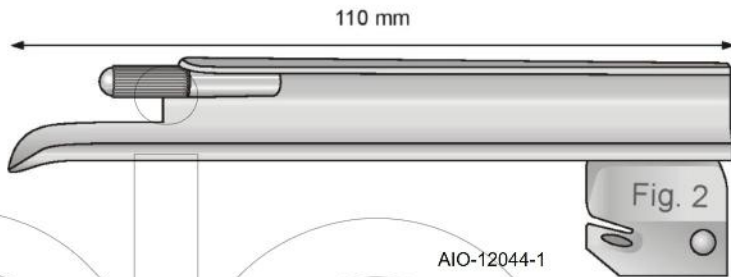


AIO-12044

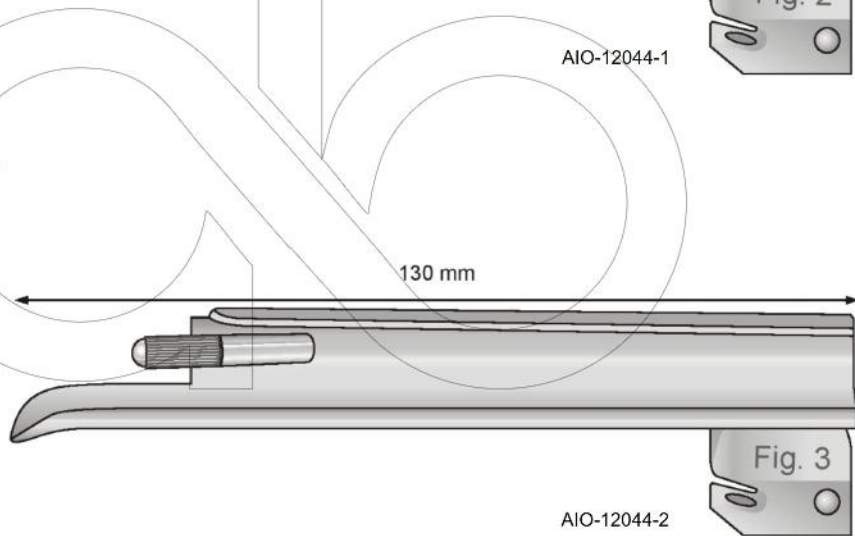


**AA-B101**  
2,5 Volt  
300 mA

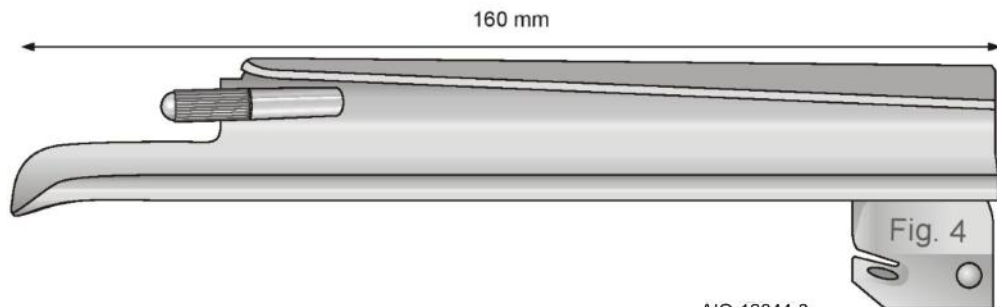
Per lame **AA-402 + AA-404**  
For blades **AA-402 + AA-404**  
Für Spatel **AA-402 + AA-404**  
Pour spatules **AA-402 + AA-404**  
Para hojas **AA-402 + AA-404**



AIO-12044-1



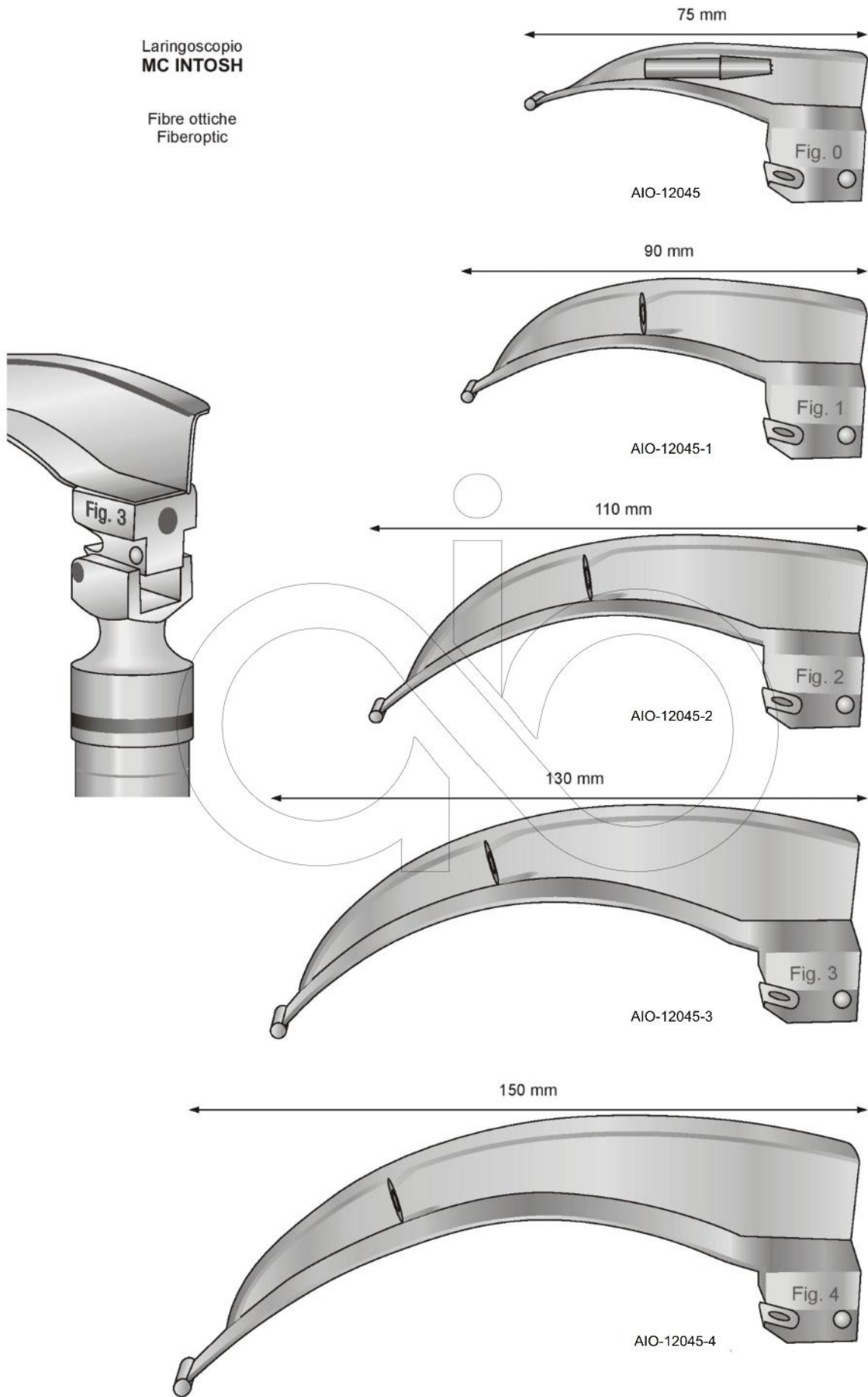
AIO-12044-2



AIO-12044-3

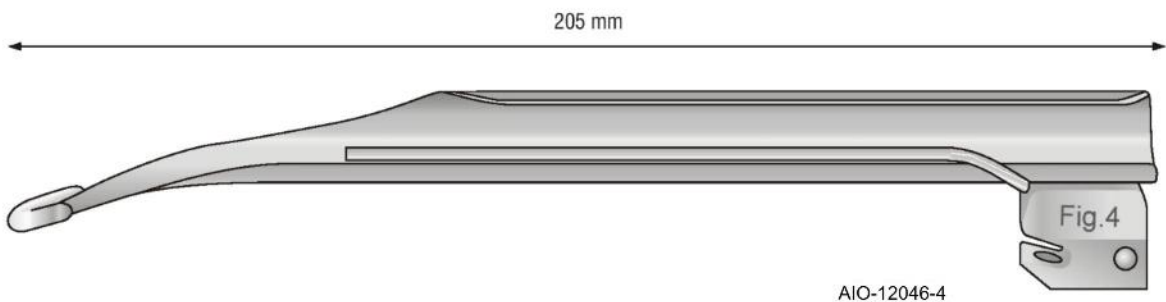
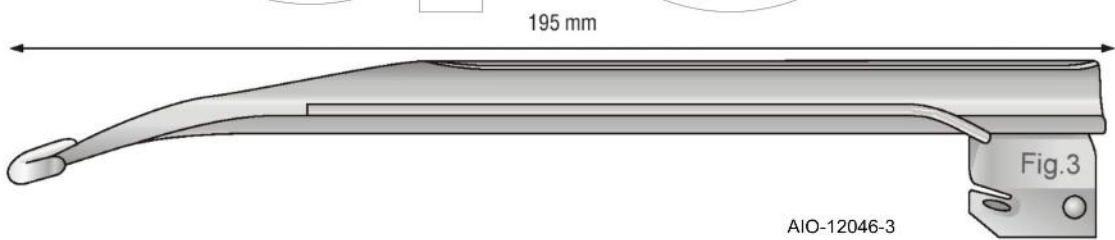
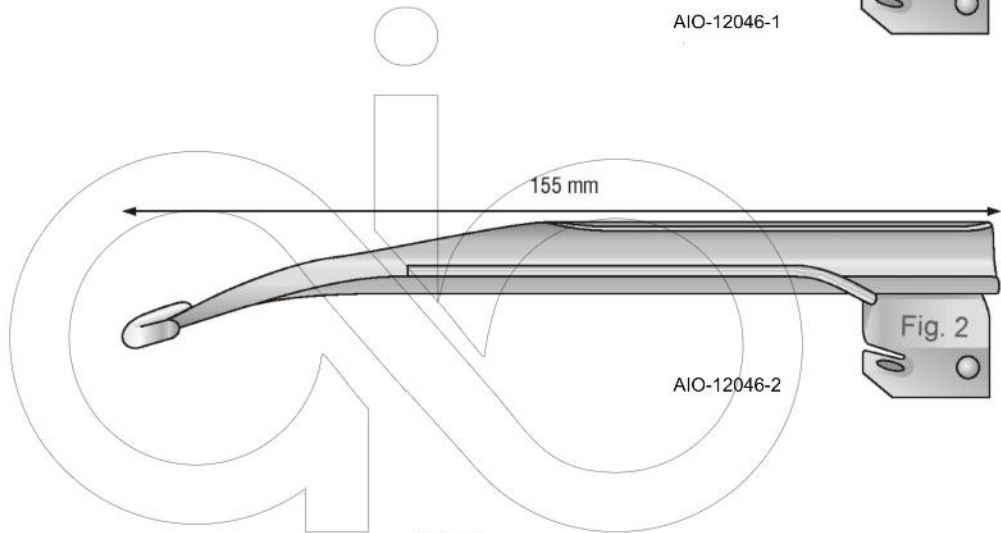
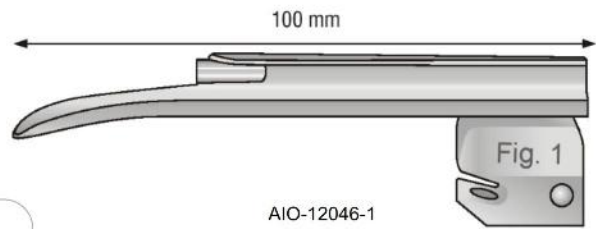
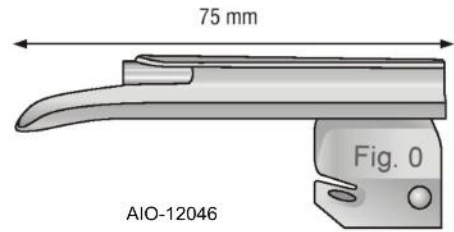
Laringoscopia  
MC INTOSH

Fibre ottiche  
Fiberoptic



Laringoscopio  
**MILLER**

Fibre ottiche  
Fiberoptic

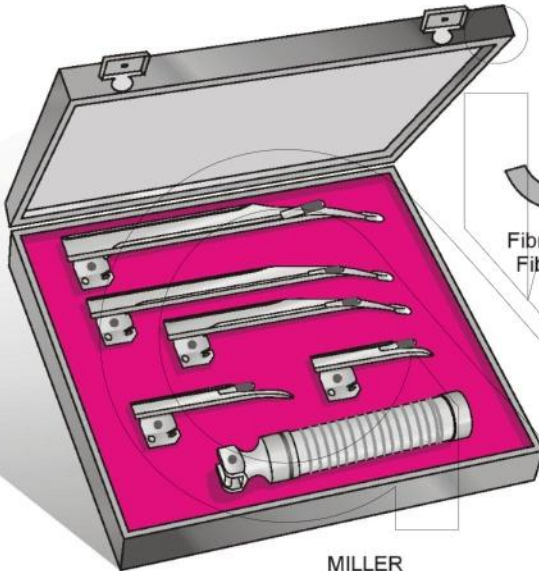




**Mc INTOSH**  
AIO-12047-1 - Set 3 lame  
AIO-12047-2 - Set 4 lame  
AIO-12047-3 - Set 5 lame

**MILLER**  
AIO-12048-1 - Set 3 lame  
AIO-12048-2 - Set 4 lame  
AIO-12048-3 - Set 5 lame

**NEGUS-GUEDEL**  
AIO-12049-1 - Set 3 lame  
AIO-12049-2 - Set 4 lame



Fibre ottiche  
Fiber optic

**MILLER**  
01-530

**MILLER**  
**Fibre ottiche**  
AIO-12050-1 - Set 3 lame  
AIO-12050-2 - Set 4 lame  
AIO-12050-3 - Set 5 lame



Fibre ottiche  
Fiber optic

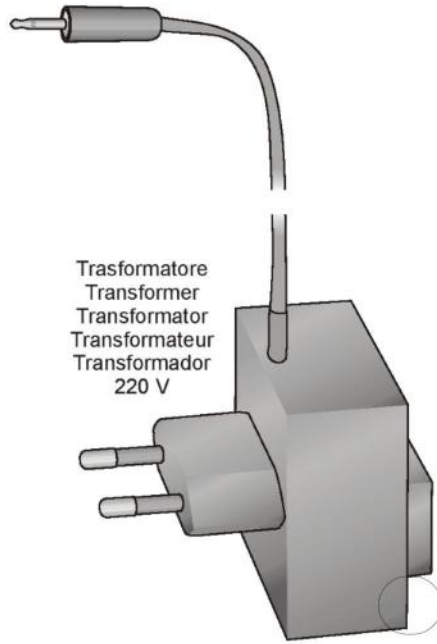
**McINTOSH**  
01-540

**Mc INTOSH**  
**Fibre ottiche**  
AIO-12051-1 - Set 3 lame  
AIO-12051-2 - Set 4 lame  
AIO-12051-3 - Set 5 lame

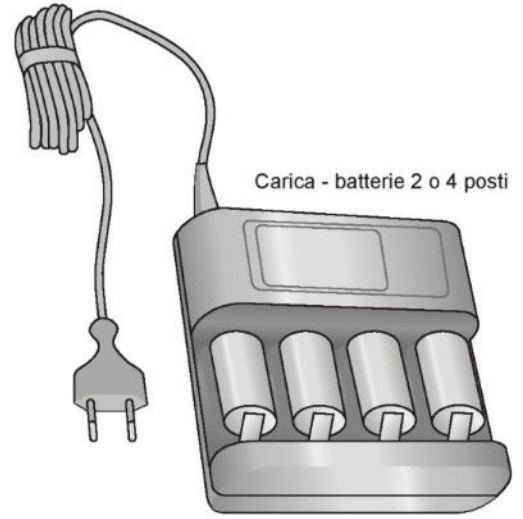




AIO-12052-1  
Ø 30 mm

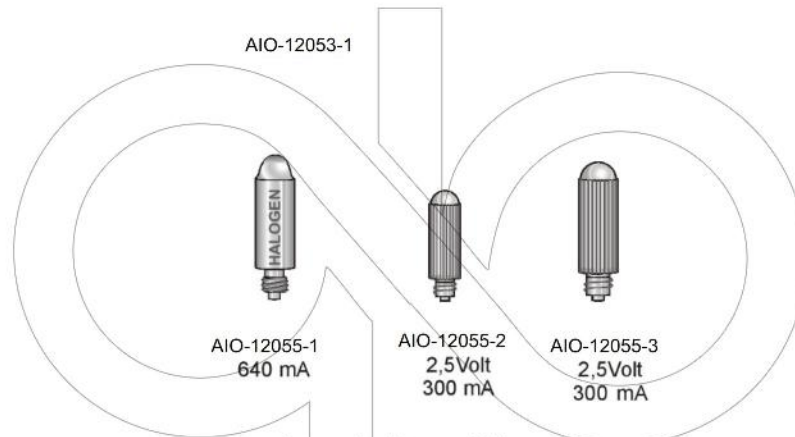


Trasformatore  
Transformer  
Transformator  
Transformateur  
Transformador  
220 V



Carica - batterie 2 o 4 posti

AIO-12054-1



AIO-12053-1

AIO-12055-1  
640 mA

AIO-12055-2  
2,5Volt  
300 mA

AIO-12055-3  
2,5Volt  
300 mA

Lampade alogene - Halogen lamp  
Halogenlampe - Lampe halogène - Lämpara Houlógeno



AIO-12056  
Ø 30 mm

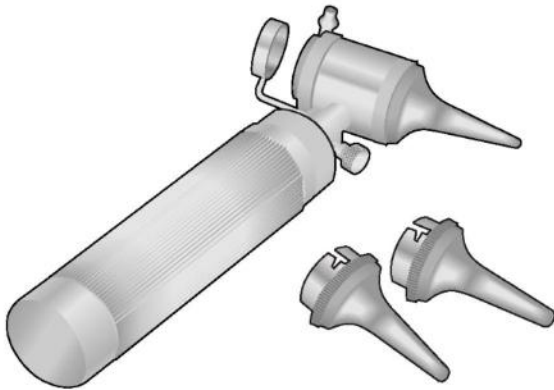


AIO-12057  
Ø 18 mm

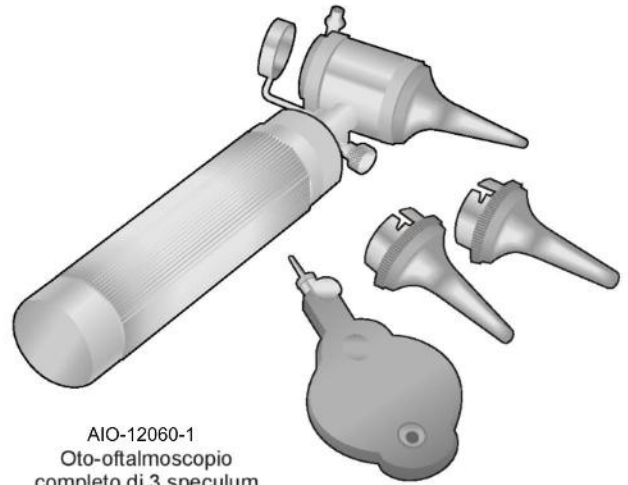
Fibre ottiche  
Fiber optic



AIO-12058  
Ø 30 mm



AIO-12059-1  
Otoscopio  
completo di 3 speculum  
e scatola



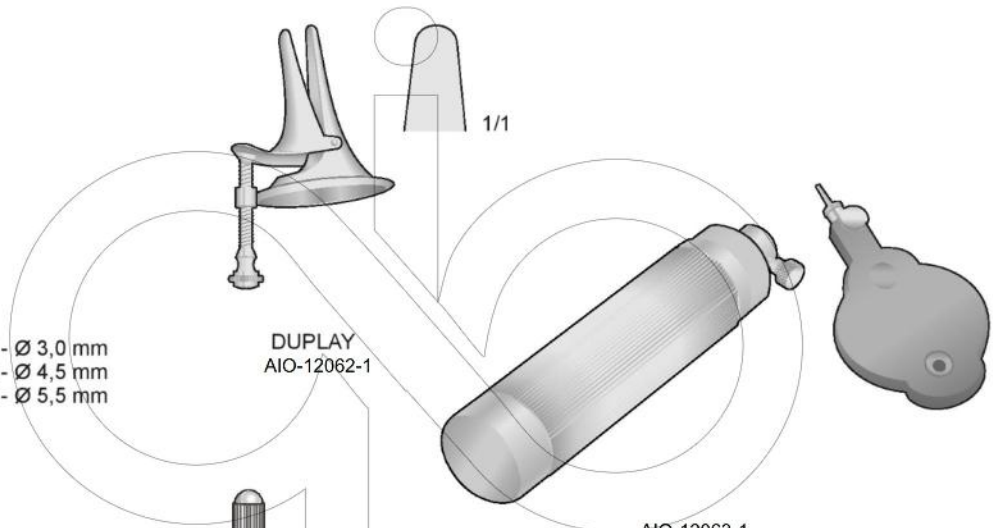
AIO-12060-1  
Oto-oftalmoscopio  
completo di 3 speculum

Speculum in Nylon



AIO-12061-1  
Serie 3 pezzi

- # 1 - Ø 3,0 mm
- # 2 - Ø 4,5 mm
- # 3 - Ø 5,5 mm



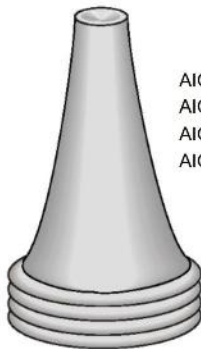
DUPLAY  
AIO-12062-1

AIO-12064-1

Lampadina per otoscopio  
Lamp  
Lampe

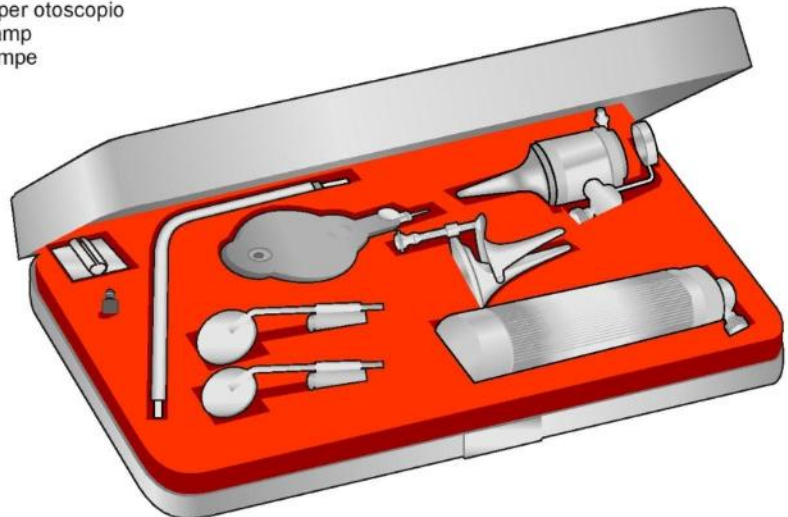
AIO-12063-1  
Oftalmoscopio

Speculum per adulti



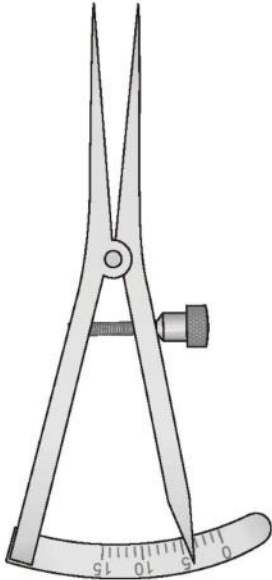
HARTMANN  
AIO-12065-1  
Set 4 pezzi

- AIO-12065-1 - Ø 4,5 mm
- AIO-12065-2 - Ø 5,5 mm
- AIO-12065-3 - Ø 6,5 mm
- AIO-12065-4 - Ø 7,5 mm



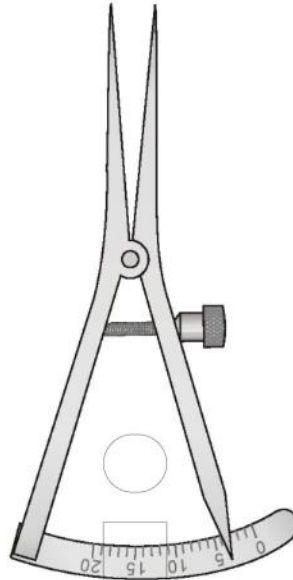
AIO-12066-1  
Set oto-oftalmoscopio-speculum nasale  
e 2 specchietti laringei

Campo di misura: 0 - 15 mm  
Measuring range: 0 - 15 mm  
Meßbereich: 0 - 15 mm  
Etendue de mesure: 0 - 15 mm  
Alcance de medición: 0 - 15 mm



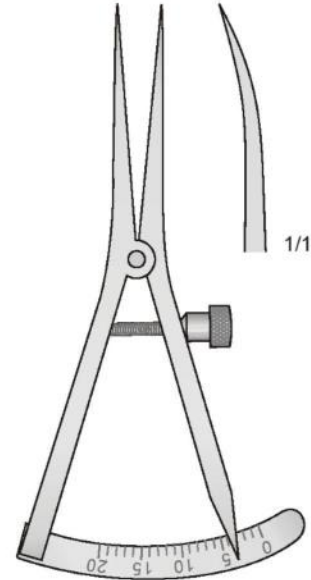
CASTROVIEJO  
AIO-12067-1  
90 mm

Campo di misura: 0 - 20 mm  
Measuring range: 0 - 20 mm  
Meßbereich: 0 - 20 mm  
Etendue de mesure: 0 - 20 mm  
Alcance de medición: 0 - 20 mm



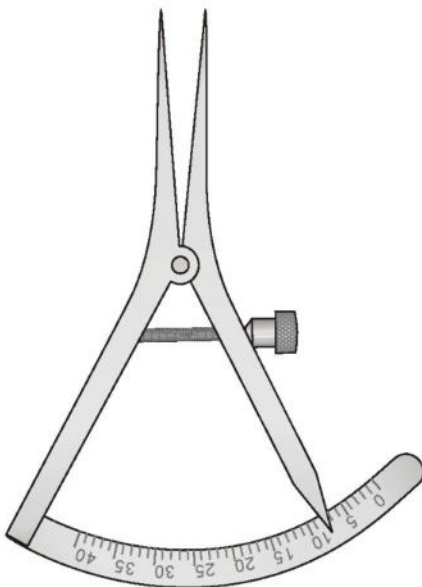
CASTROVIEJO  
AIO-12067-2  
90 mm

Campo di misura: 0 - 20 mm  
Measuring range: 0 - 20 mm  
Meßbereich: 0 - 20 mm  
Etendue de mesure: 0 - 20 mm  
Alcance de medición: 0 - 20 mm



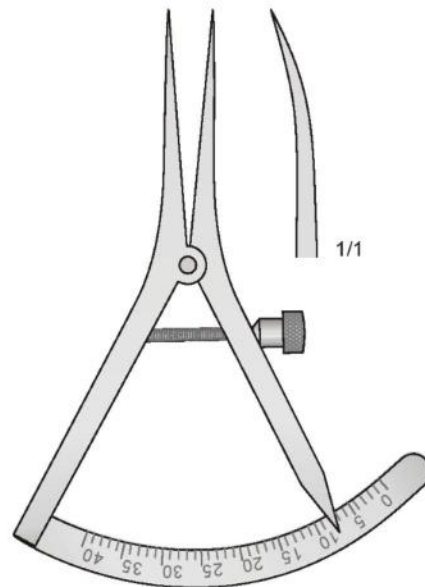
CASTROVIEJO  
AIO-12068-1  
90 mm

Campo di misura: 0 - 40 mm  
Measuring range: 0 - 40 mm  
Meßbereich: 0 - 40 mm  
Etendue de mesure: 0 - 40 mm  
Alcance de medición: 0 - 40 mm



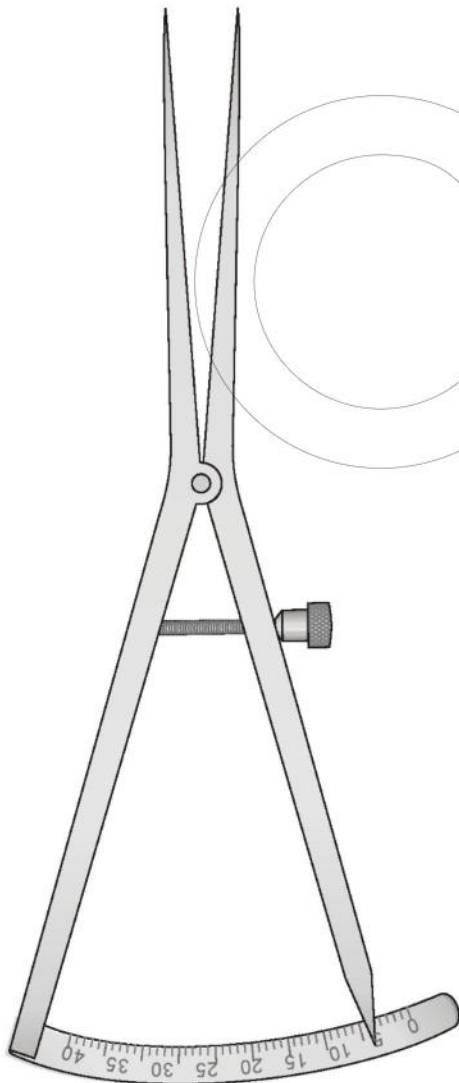
CASTROVIEJO  
AIO-12069-1  
90 mm

Campo di misura: 0 - 40 mm  
Measuring range: 0 - 40 mm  
Meßbereich: 0 - 40 mm  
Etendue de mesure: 0 - 40 mm  
Alcance de medición: 0 - 40 mm



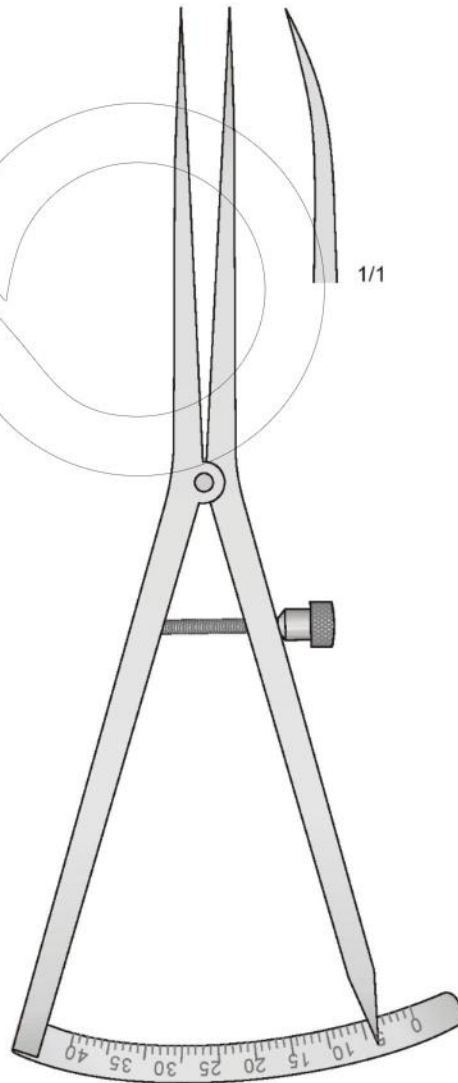
CASTROVIEJO  
AIO-12070-1  
90 mm

Campo di misura: 0 - 40 mm  
 Measuring range: 0 - 40 mm  
 Meßbereich: 0 - 40 mm  
 Etendue de mesure: 0 - 40 mm  
 Alcance de medición: 0 - 40 mm



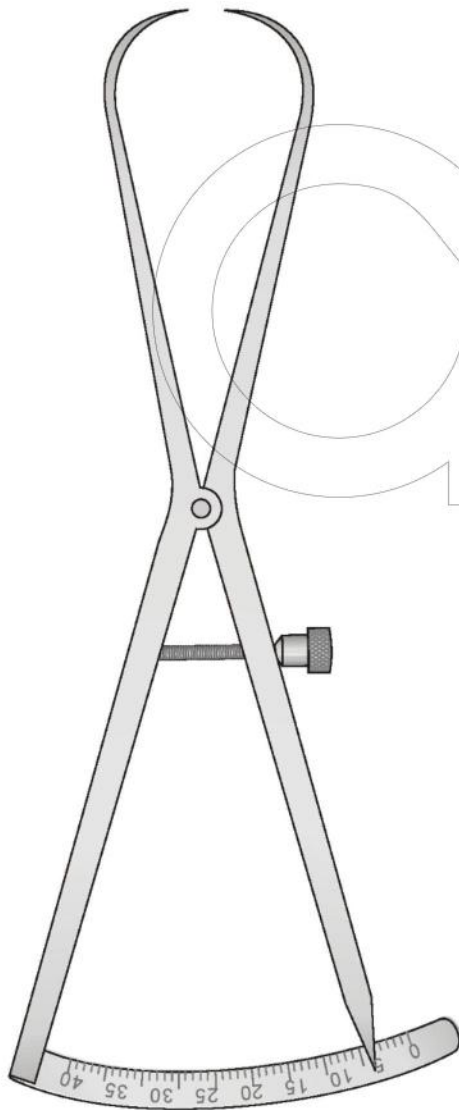
CASTROVIEJO  
 AIO-12071-1  
 170 mm

Campo di misura: 0 - 40 mm  
 Measuring range: 0 - 40 mm  
 Meßbereich: 0 - 40 mm  
 Etendue de mesure: 0 - 40 mm  
 Alcance de medición: 0 - 40 mm



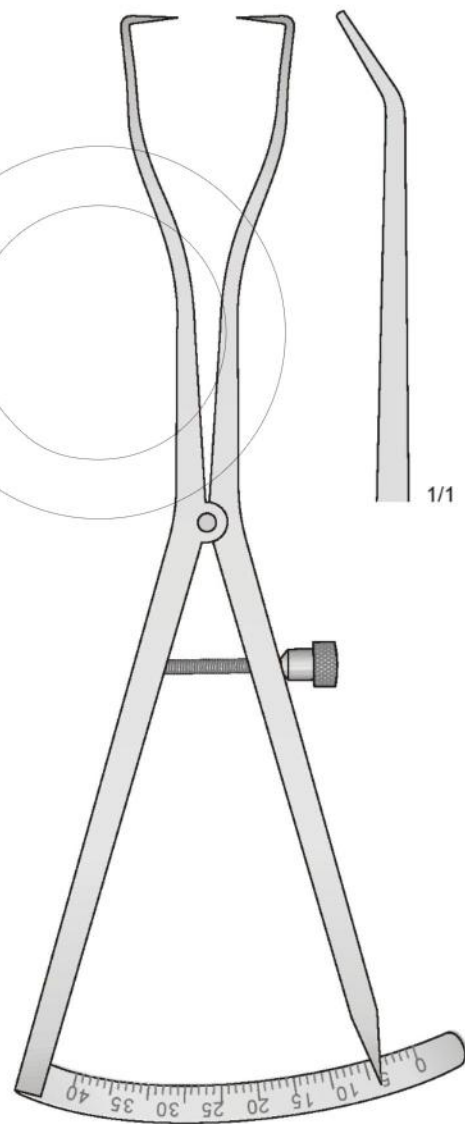
CASTROVIEJO  
 AIO-12072-1  
 170 mm

Campo di misura: 0 - 40 mm  
 Measuring range: 0 - 40 mm  
 Meßbereich: 0 - 40 mm  
 Etendue de mesure: 0 - 40 mm  
 Alcance de medición: 0 - 40 mm



CASTROVIEJO  
 AIO-12073-1  
 170 mm

Campo di misura: 0 - 40 mm  
 Measuring range: 0 - 40 mm  
 Meßbereich: 0 - 40 mm  
 Etendue de mesure: 0 - 40 mm  
 Alcance de medición: 0 - 40 mm



CASTROVIEJO  
 AIO-12074-1  
 170 mm

Campo di misura: 0 - 80 mm  
Measuring range: 0 - 80 mm  
Meßbereich: 0 - 80 mm  
Etendue de mesure: 0 - 80 mm  
Alcance de medición: 0 - 80 mm

Campo di misura: 0 - 80 mm  
Measuring range: 0 - 80 mm  
Meßbereich: 0 - 80 mm  
Etendue de mesure: 0 - 80 mm  
Alcance de medición: 0 - 80 mm

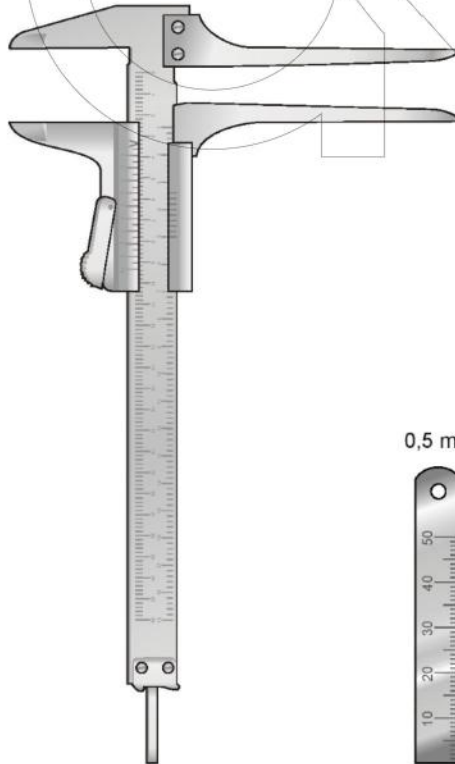


AIO-12075  
125 mm

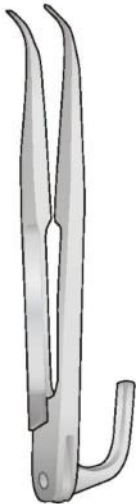


AIO-12076  
120 mm

Campo di misura: 180 mm - Measuring range: 180 mm  
Meßbereich: 180 mm - Etendue de mesure: 180 mm - Alcance de medición: 180 mm



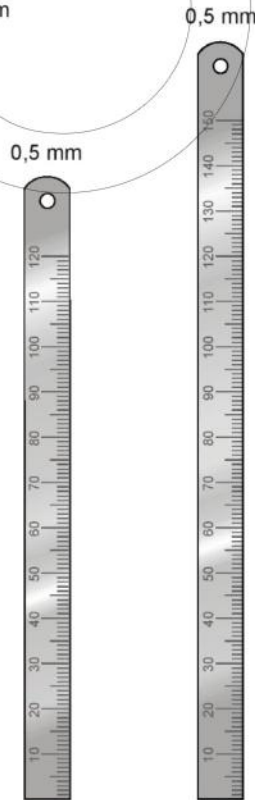
CASPAR  
AIO-12078



ZIELINSKY  
AIO-12077  
110 mm



AIO-12079  
50 mm



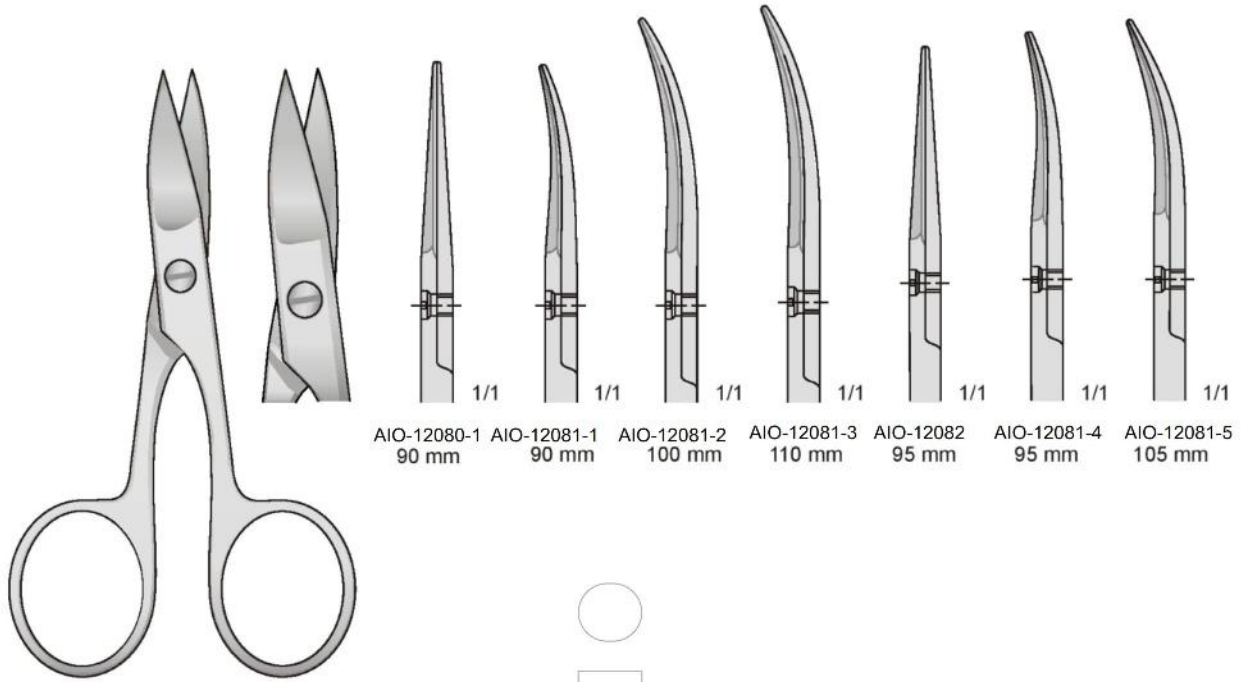
AIO-12079-1  
120 mm



AIO-12079-2  
150 mm

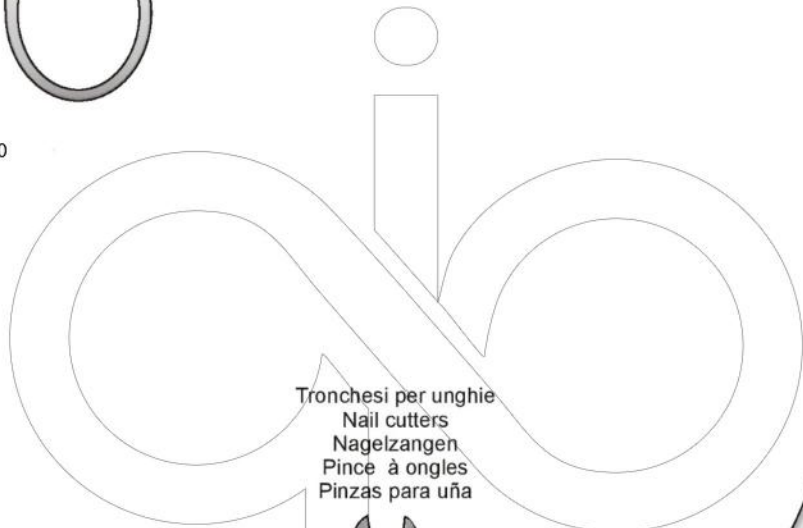


AIO-12079-3  
300 mm

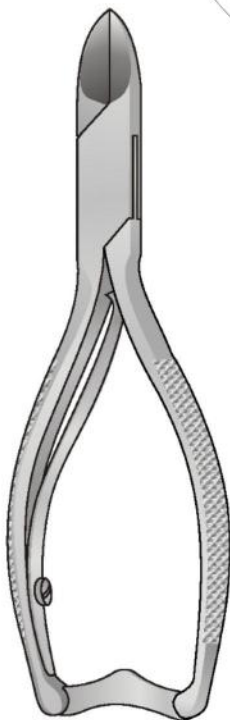


AIO-12080

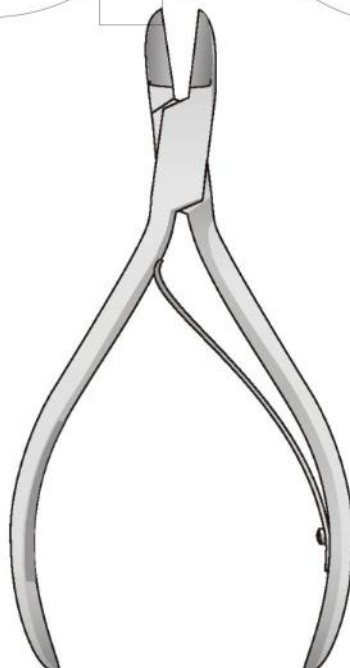
AIO-12080-1 90 mm    AIO-12081-1 90 mm    AIO-12081-2 100 mm    AIO-12081-3 110 mm    AIO-12082 95 mm    AIO-12081-4 95 mm    AIO-12081-5 105 mm



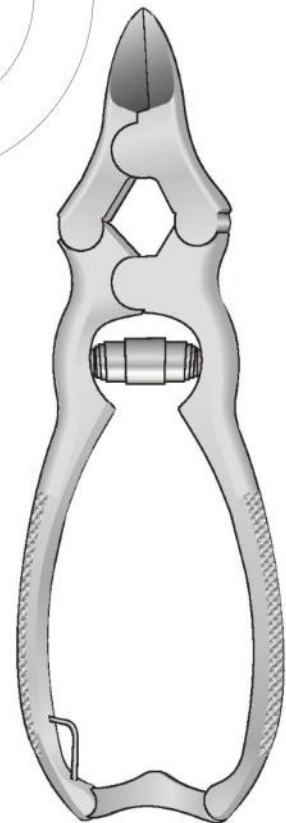
Tronchesi per unghie  
Nail cutters  
Nagelzangen  
Pince à ongles  
Pinzas para uña



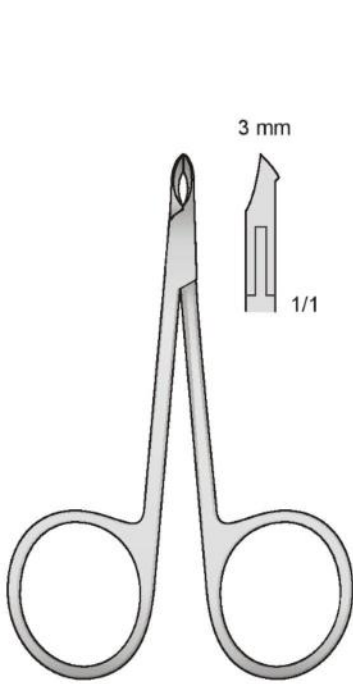
AIO-12083  
135 mm



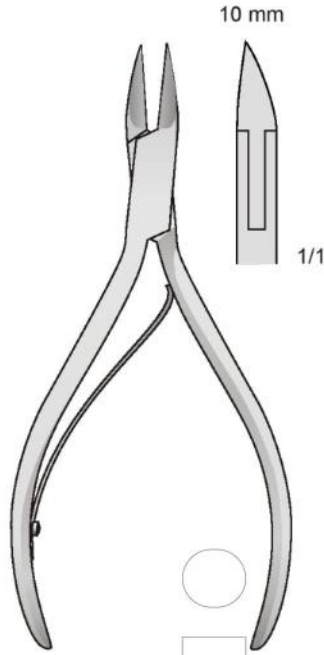
AIO-12084  
120 mm



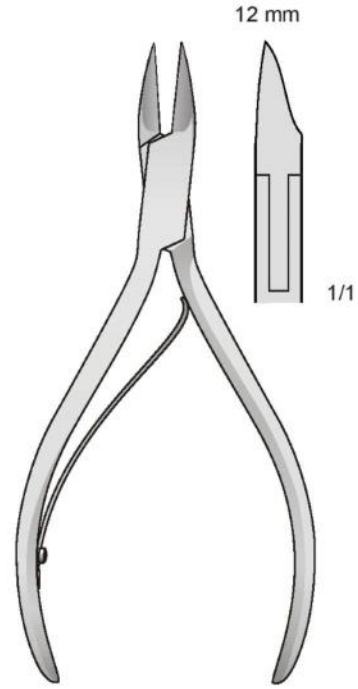
AIO-12085  
155 mm



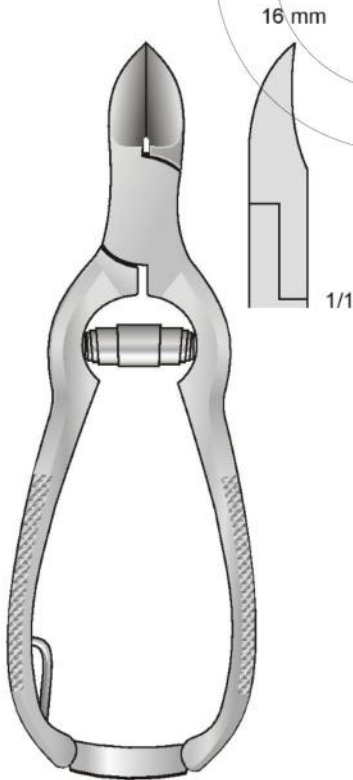
AIO-12086  
85 mm



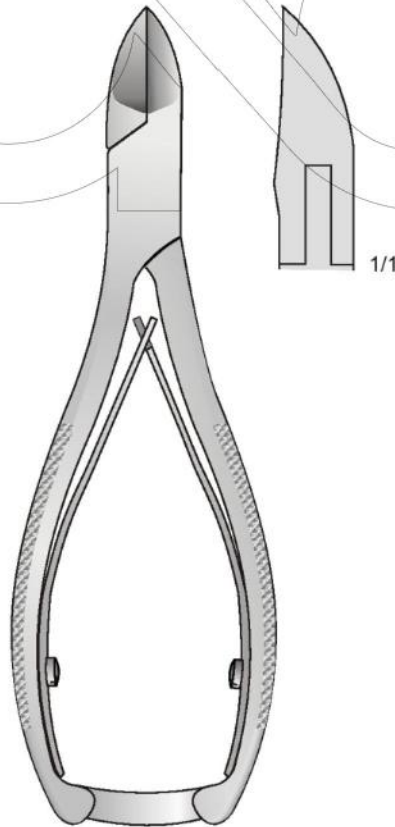
AIO-12087-1  
100 mm



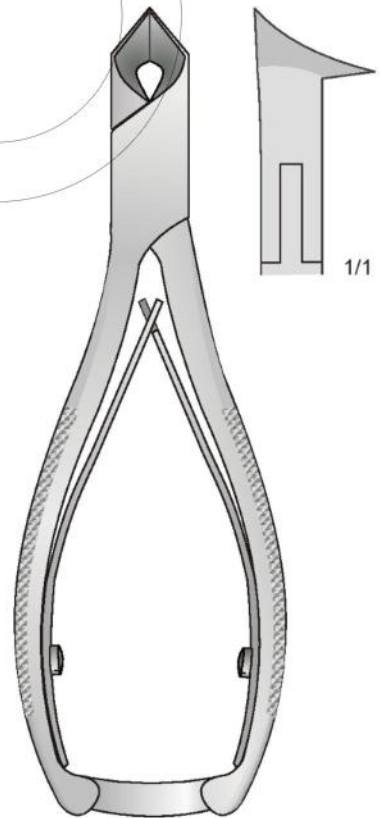
AIO-12087-2  
110 mm



AIO-12088  
120 mm



AIO-12089  
140 mm



AIO-12090  
135 mm





# ALL IN ONE SUPPLIES

Manufacturer & Exporter Of Surgical, Dental & Orthopedic Instruments.

+92-333-8740-629

info@aiosupplies.com | medisuraj@gmail.com

Bismillah Street, Kacha Shahab Pura, S.I.E. Sialkot Pakistan

www.aiosupplies.com



ISO 9001:2008

